

CHIEF'S SHOP PLAN OF THE WEEK



OUTDOOR CAPTAIN'S CHAIR



WHAT YOU'LL NEED

LUMBER
 10 - 2x4x8
 1 - 2x4x10
 1 - 2x6x8
(availability will vary)

HARDWARE/SUPPLIES
 Kreg 2 1/2" pocket hole screws
 wood glue, wood filler,
 pocket hole plugs, choice of finish

TOOLS
 table saw (optional)
 miter saw, jigsaw
 sander
 drill/driver
 Kreg Jig
 clamps
 square

ABOUT THESE PLANS


On this first page you will see above the project complete. On one of the last two pages you'll find the finished outer dimensions. Be sure to read ALL of the project steps before you start.


To the right is a list of the Lumber, Hardware/Supplies, and Tools you will need to complete this project. A measuring tape and pencil are not included because that should be pretty standard and self explanatory.

Below What You'll Need is the Parts list. This also is included on the Cutting Diagram page, which is the last page of this plan document. Also on the Cutting Diagram page is an estimate of the cost of the lumber. This estimate doesn't include any other supplies and does not factor in sales tax.

Throughout these plans you'll find the icons below:


 **LAYOUT** This indicates a diagram detailing the dimensions of a project part and/or the placement for pocket holes, screws, nails, etc.

 **NOTE** Notes are the instructions for a particular step/section of the project.

 **TAKE CARE!** This indicates when to pay close attention to the diagrams, take precautions for safety, etc.

 **MORE PLANS**

Want more Chief's Shop plans? Visit chiefs-shop.com and look through the Plans section.
 Be sure to "Like" Chief's Shop on facebook by heading over to [facebook.com/ChiefsShop](https://www.facebook.com/ChiefsShop).

 **NOTE**
 Apply glue to all mating parts.

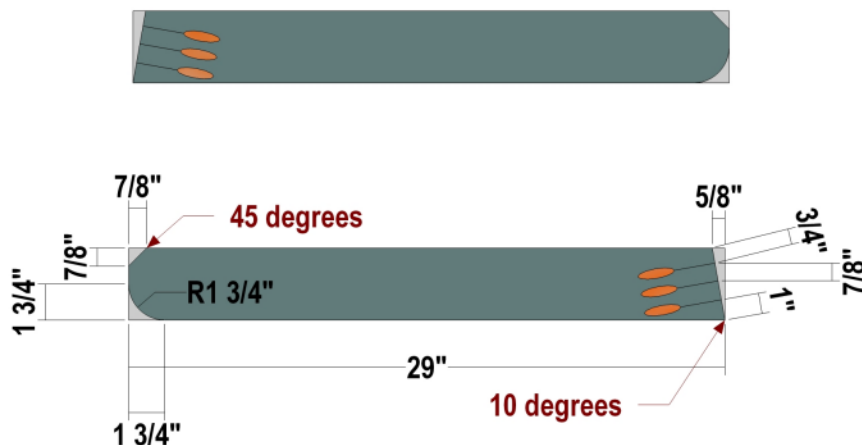
PARTS

top back legs (2) - 1 1/2 x 3 1/2 x 29
 bottom back legs (2) - 1 1/2 x 3 1/2 x 35 13/16
 arm supports (2) - 1 1/2 x 3 1/2 x 14 5/8
 top end rails (2) - 1 1/2 x 3 1/2 x 14 5/8
 front legs (2) - 1 1/2 x 3 1/2 x 47 13/16
 arms (2) - 1 1/2 x 4 1/2 x 20 3/4
 bottom end rails (2) - 1 1/2 x 3 1/2 x 25
 bottom side rails (2) - 1 1/2 x 3 1/2 x 26
 top side rails (2) - 1 1/2 x 3 1/2 x 26
 top stretcher (1) - 1 1/2 x 3 1/2 x 18 1/8
 back seat slat (1) - 1 1/2 x 3 1/2 x 30
 seat slats (3) - 1 1/2 x 3 1/2 x 19 1/2
 mid seat slat (1) - 1 1/2 x 3 1/2 x 19 1/2
 front seat slat (1) - 1 1/2 x 3 1/2 x 19 1/2
 bottom stretcher (1) - 1 1/2 x 3 1/2 x 25
 bottom slats (8) - 1 1/2 x 3 1/2 x 26
 back slats (4) - 1 1/2 x 3 1/2 x 26
 brackets (4) - 1 1/2 x 3 1/2 x 9 3/16
 braces (2) - 1 1/2 x 1 1/2 x 6

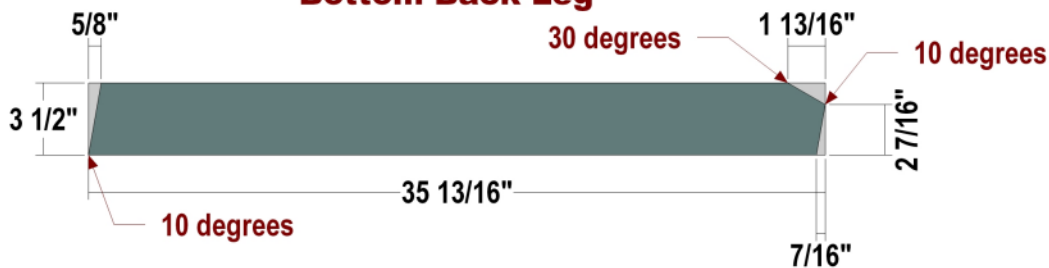
All parts are listed in actual dimensions. Refer to the Cutting Diagram on the last page of this plan as a guide for determining the specific board from which to cut the parts.

 **VIDEO** Check out Chief's Shop Videos on YouTube. ([click here](#))

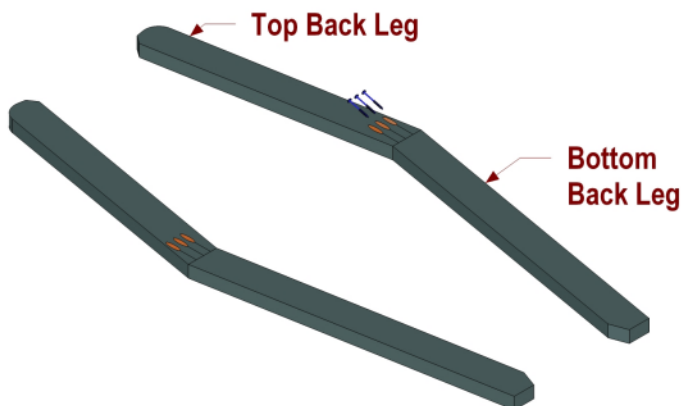
Top Back Legs



Bottom Back Leg



Use the layouts for creating the Top Back Legs and Bottom Back Legs. Set your Kreg Jig and drill bit for 1 1/2" stock for the pocket holes in the Top Back Legs.

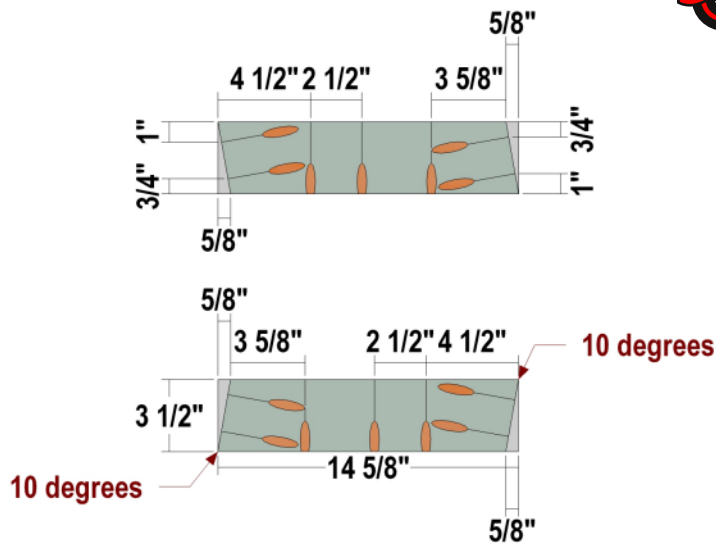


Position the parts as shown, and attach using 2 1/2" pocket hole screws.

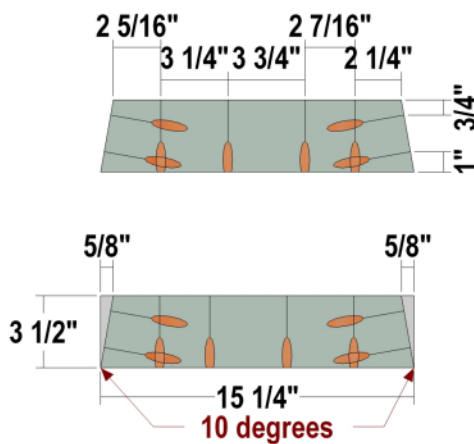
NOTE

Use the layouts for creating the Arm Supports, Top End Rails, and Front Legs. Set your Kreg Jig and drill bit for 1 1/2" stock for the pocket holes in the Arm Supports and Top End Rails.

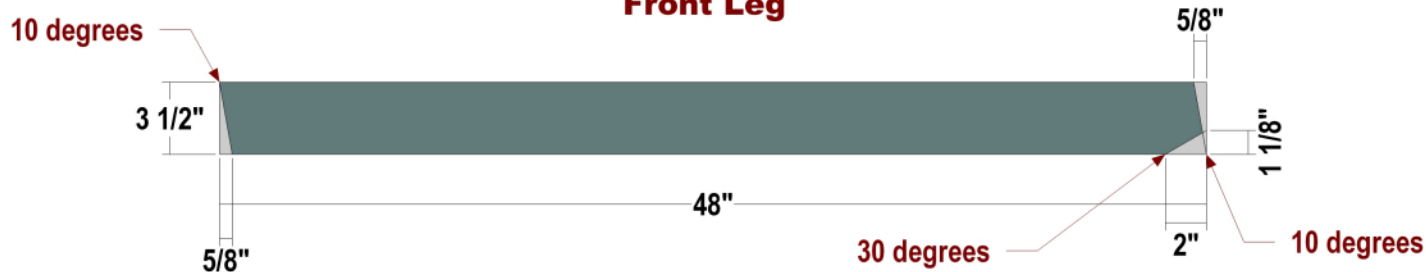
Arm Supports



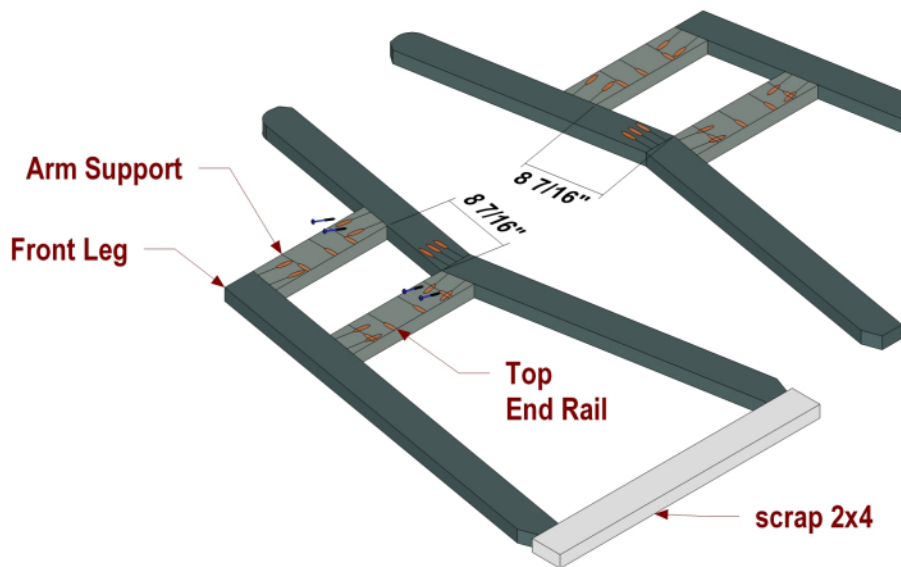
Top End Rail



Front Leg

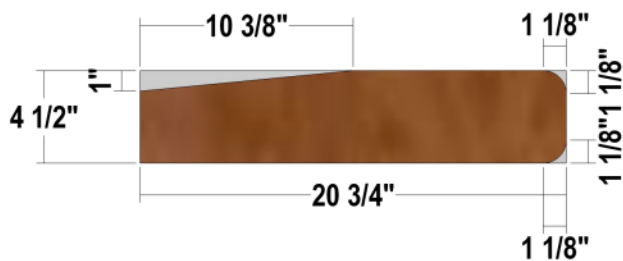


OUTDOOR CAPTAIN'S CHAIR



NOTE
Position the parts as shown, and attach using 2 1/2" pocket hole screws. **TIP:** Use a scrap piece of 2x4 clamped to a workbench to square the bottoms of the Legs.

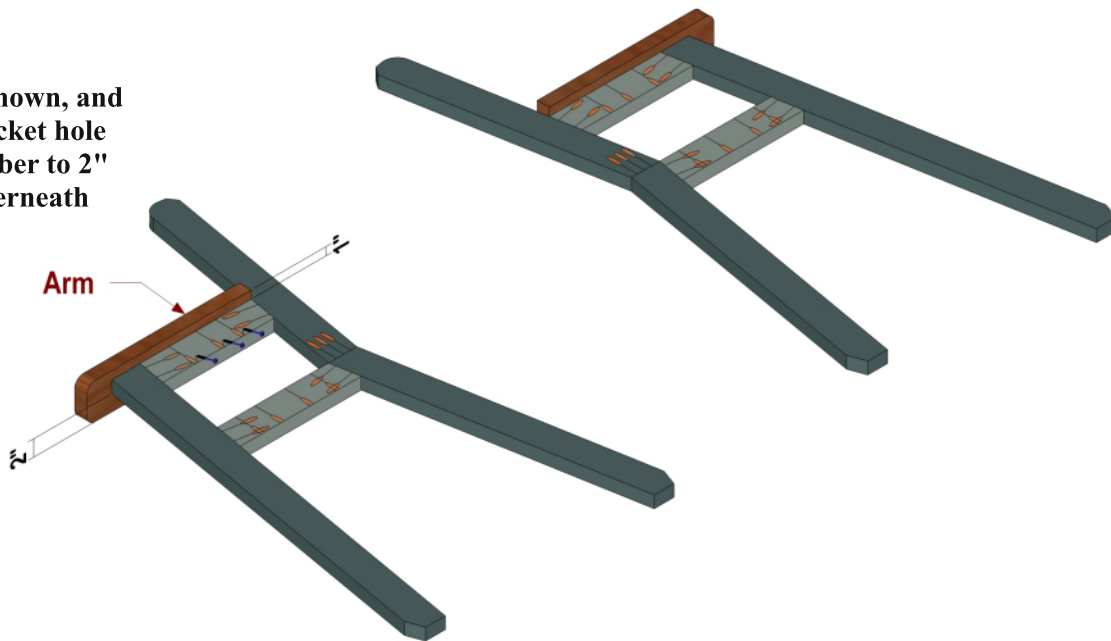
Arm



NOTE
Use the layout as a guide to create the Arms, Cut a 1 1/8" radius on the two corners of one end.

NOTE

Position the parts as shown, and attach using 2 1/2" pocket hole screws. Cut scrap lumber to 2" to use as a spacer underneath the assemblies.

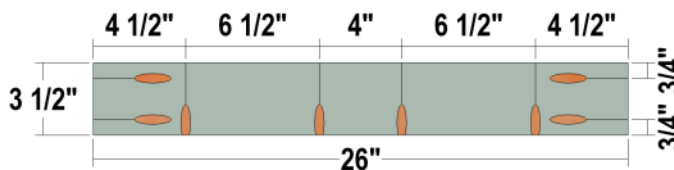


LAYOUT

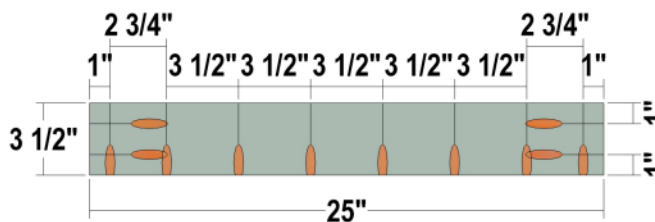
NOTE

Use the layout for creating the Bottom Side Rails, Bottom Stretcher, Bottom End Rails and Top Side Rails. Set your Kreg Jig and drill bit for 1 1/2" stock for the pocket holes.

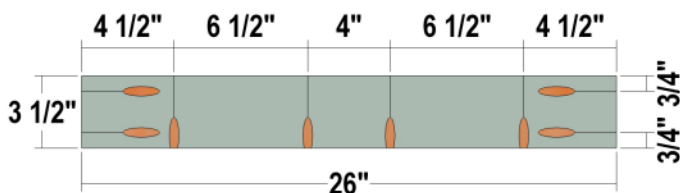
Bottom Side Rail



Bottom Stretcher/Bottom End Rail

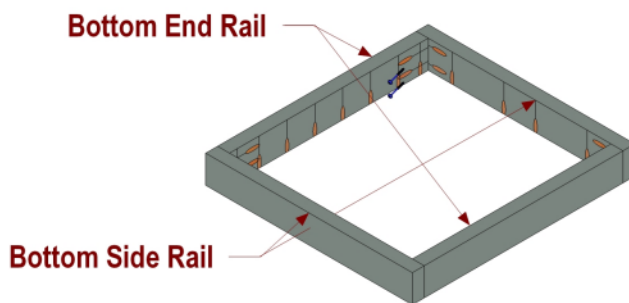


Top Side Rail



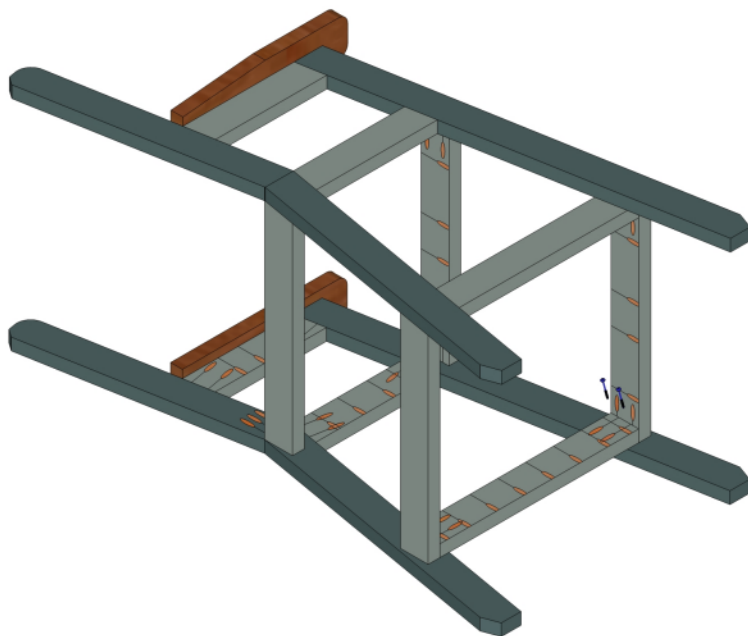
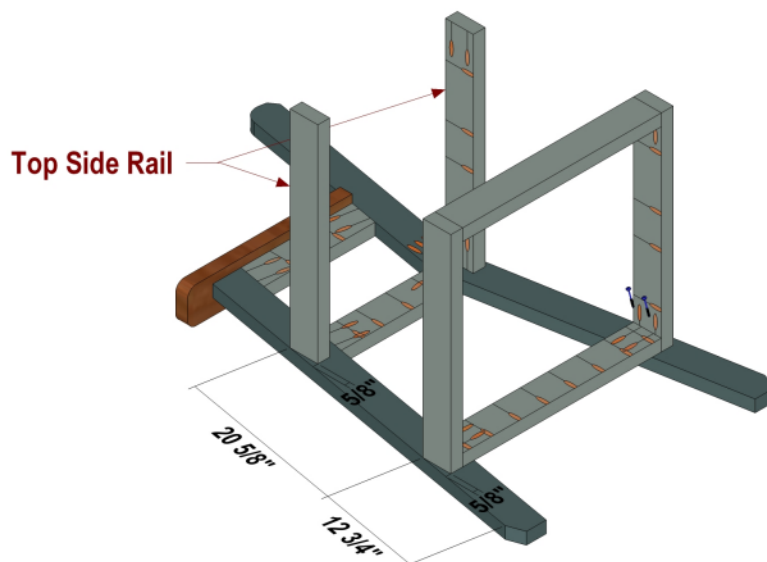
NOTE

Position the parts as shown, and attach using 2 1/2" pocket hole screws.

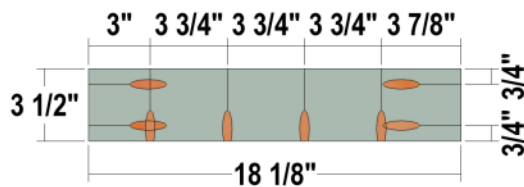


NOTE

Position the parts as shown, and attach using 2 1/2" pocket hole screws.



Top Stretcher

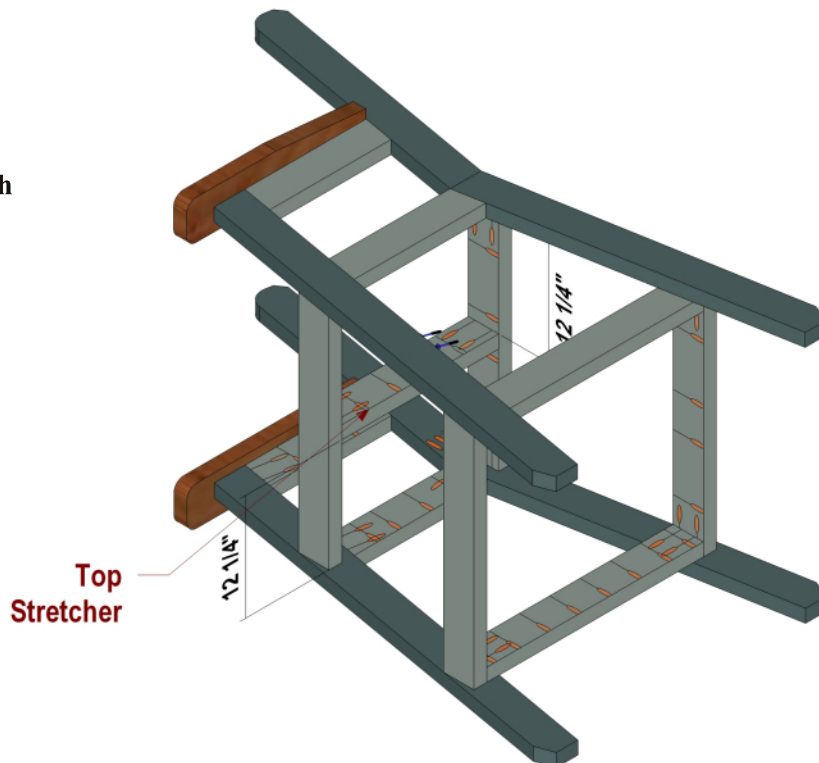


NOTE

Use the layout for creating the Top Stretcher. Set your Kreg Jig and drill bit for 1 1/2" stock.

NOTE

Position the parts as shown, and attach using 2 1/2" pocket hole screws.



Mid Seat Slat

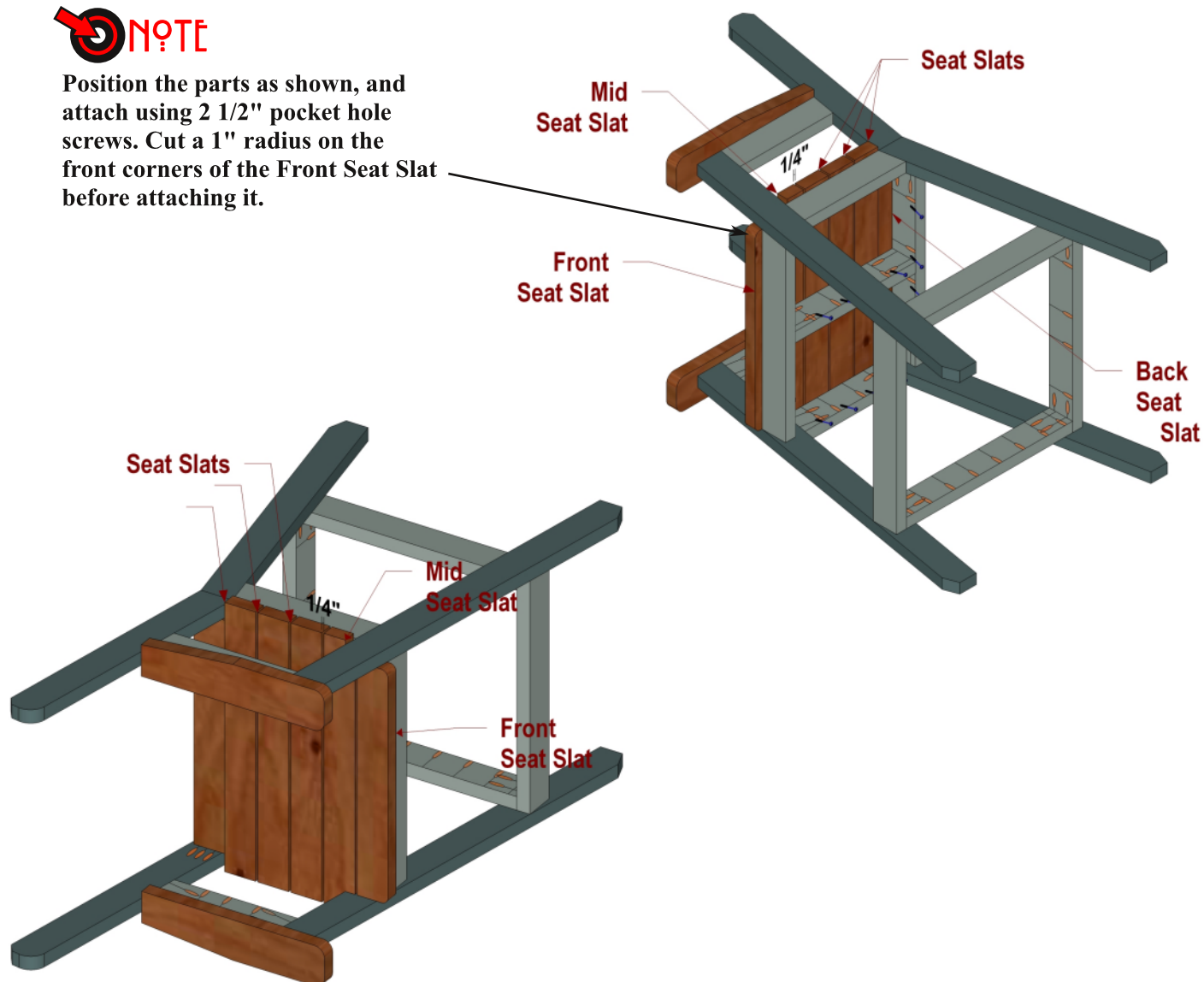


NOTE

Use the layouts for creating the Mid Seat Slat. Use a jigsaw to cut the notches in the ends.

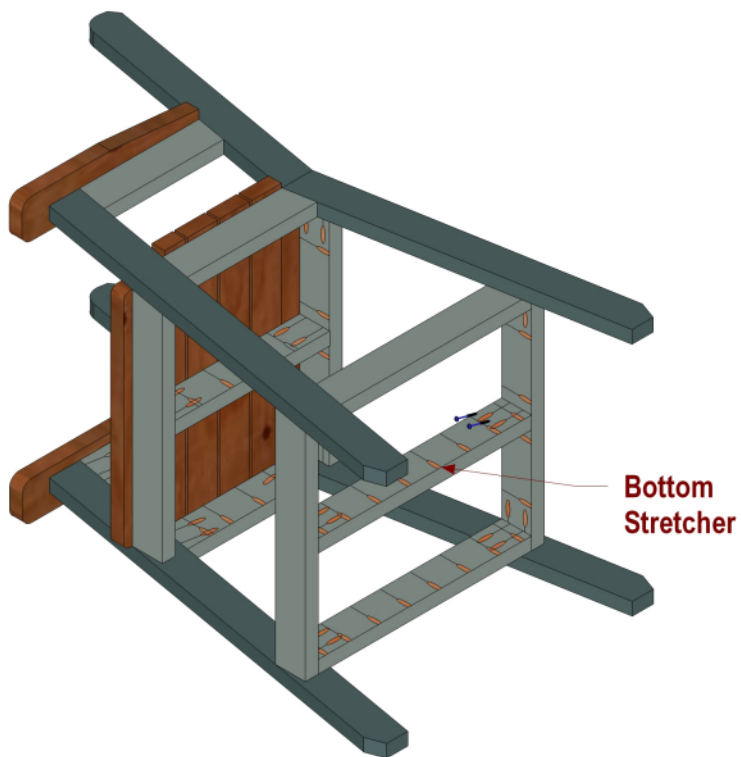
NOTE

Position the parts as shown, and attach using 2 1/2" pocket hole screws. Cut a 1" radius on the front corners of the Front Seat Slat before attaching it.



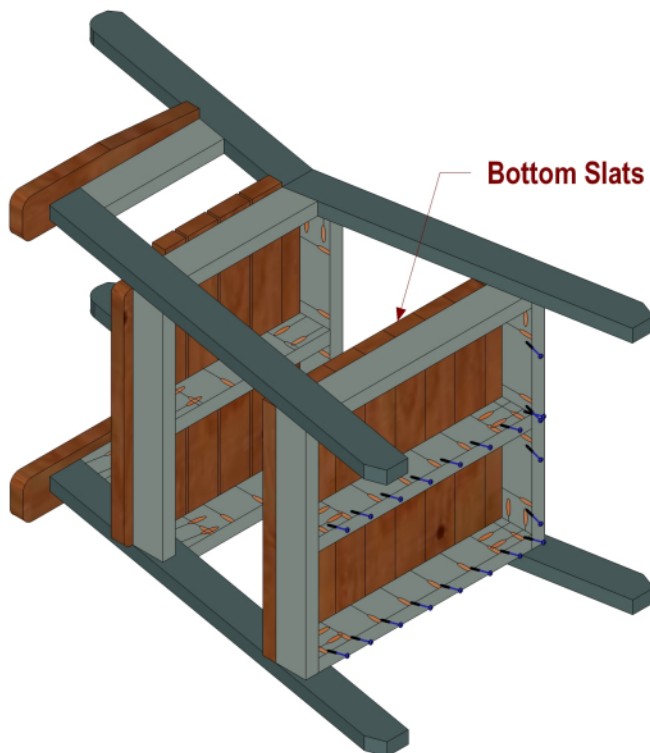
NOTE

Position the parts as shown (the Bottom Stretcher is centered), and attach using 2 1/2" pocket hole screws.



NOTE

Position the parts as shown, and attach using 2 1/2" pocket hole screws.



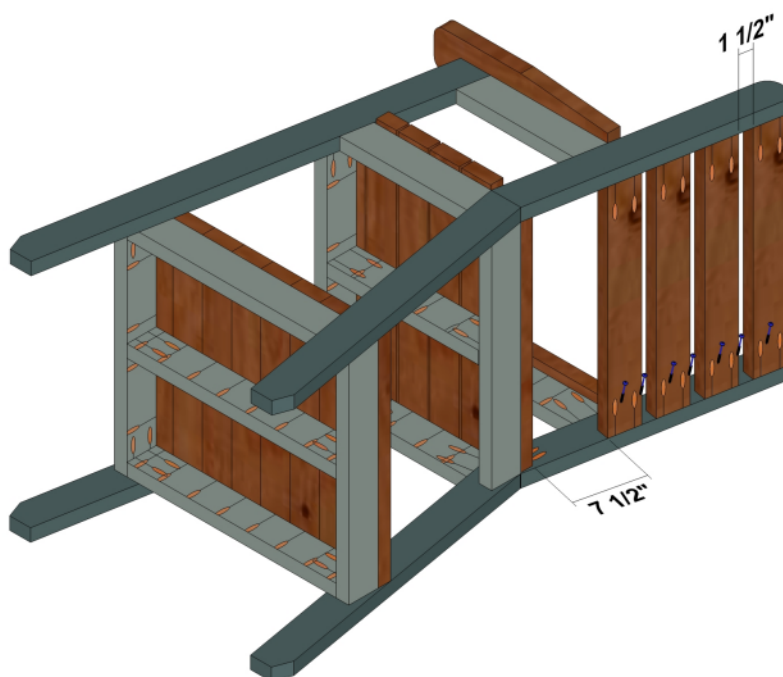
Back Slat



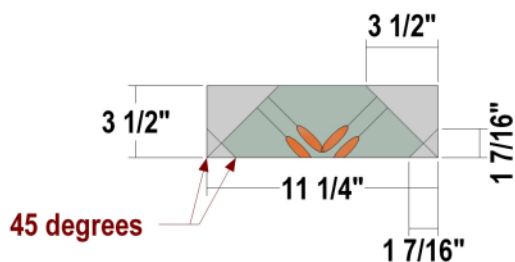
Use the layout for creating the Back Slats. Set your Kreg Jig and drill bit for 1 1/2" stock for the pocket holes.



Position the parts as shown, and attach using 2 1/2" pocket hole screws.



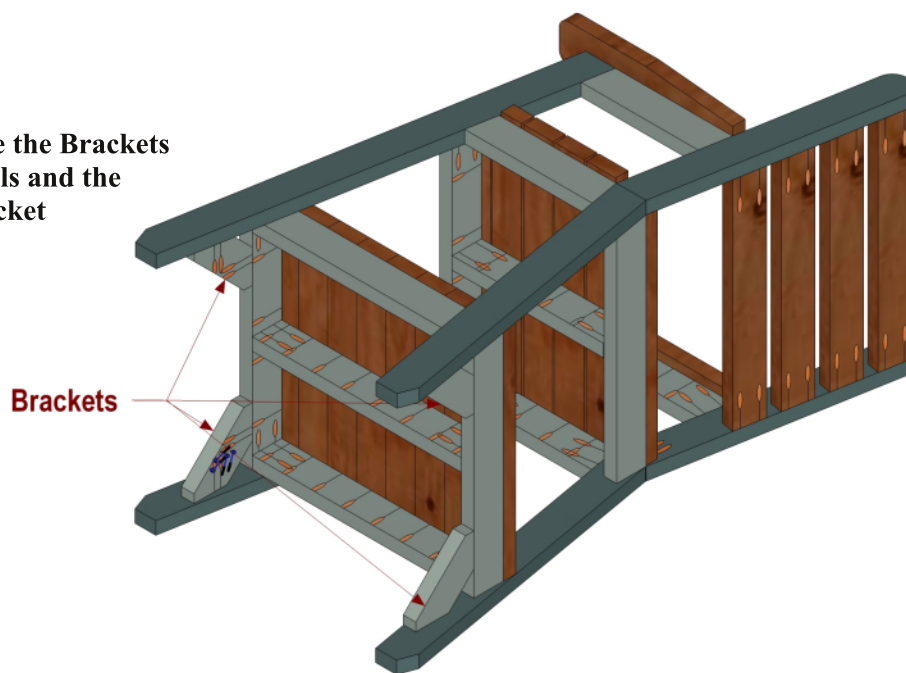
Bracket



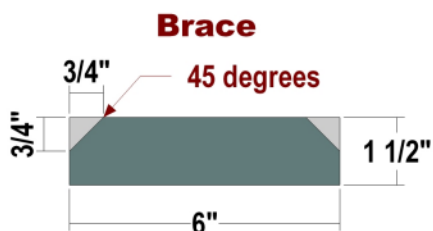
Use the layout for creating the Brackets. Set your Kreg Jig and drill bit for 1 1/2" stock for the pocket holes.

NOTE

Position the parts as shown (place the Brackets flush against the Bottom Side Rails and the Legs), and attach using 2 1/2" pocket hole screws.



LAYOUT

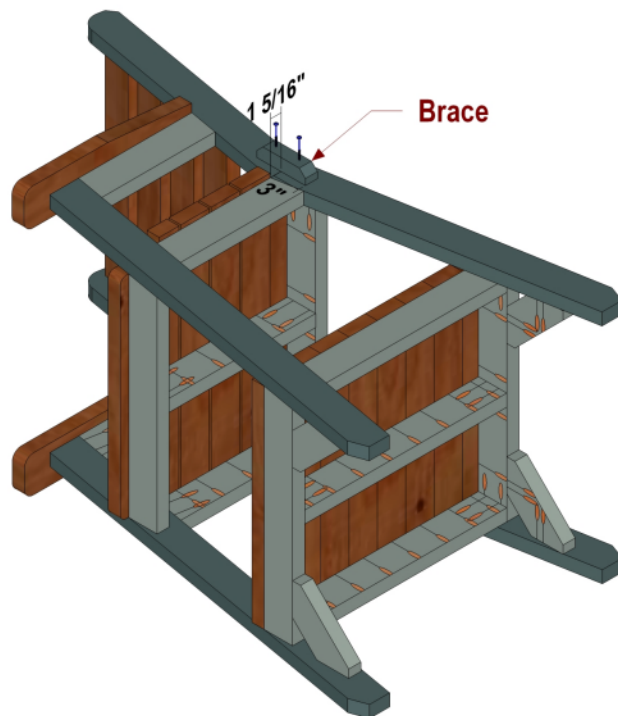


NOTE

Use the layout for creating the Braces. The Cutting Diagram shows this being ripping from a 2x6, but you can cut them from a 2x2.

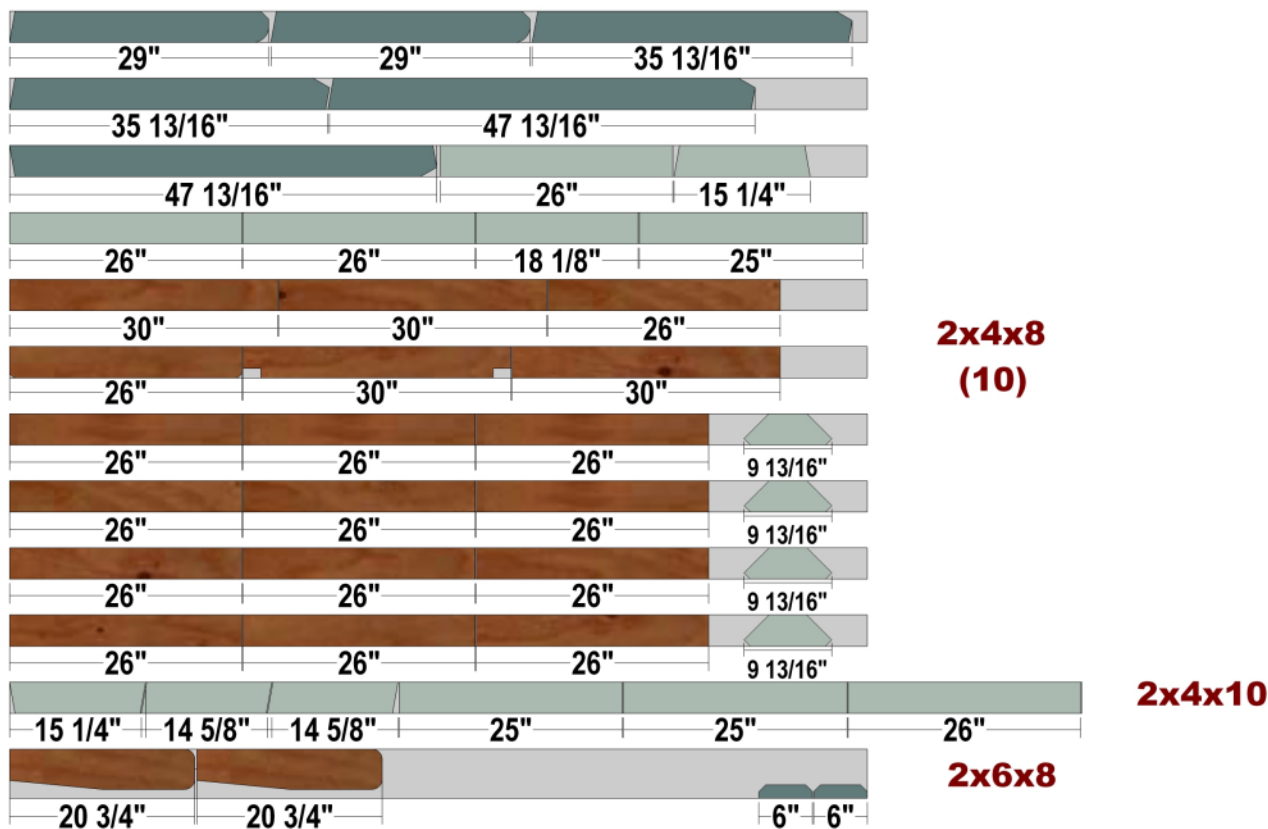
NOTE

Position the Braces as shown (repeat the position for the Brace on the other side), and attach using 2 1/2" pocket hole screws driven through the Braces and into the Top Back Leg and Bottom Back Leg. You can use 2 1/2" deck screws if you prefer.





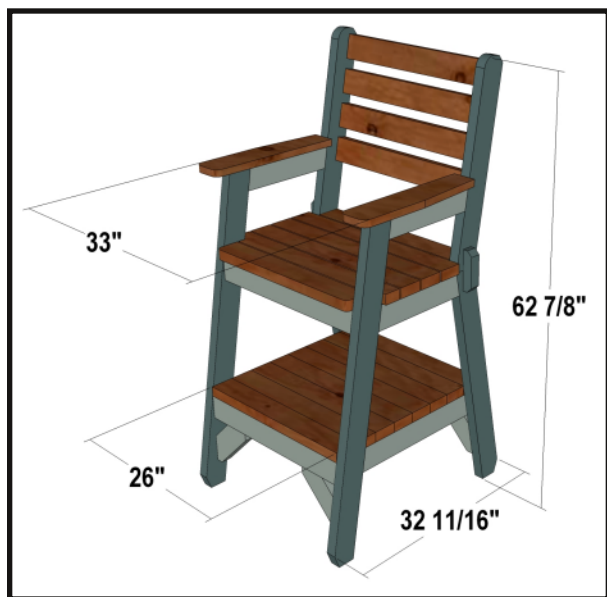
CUTTING DIAGRAM



**2x4x8
(10)**

2x4x10

2x6x8



Estimated lumber cost:
starting at \$50 for one

Note: Ripping the 2x6 to make the Braces is optional. You can use a 2x2 instead.

PARTS

- top back legs (2) - 1 1/2 x 3 1/2 x 29
- bottom back legs (2) - 1 1/2 x 3 1/2 x 35 13/16
- arm supports (2) - 1 1/2 x 3 1/2 x 14 5/8
- top end rails (2) - 1 1/2 x 3 1/2 x 14 5/8
- front legs (2) - 1 1/2 x 3 1/2 x 47 13/16
- arms (2) - 1 1/2 x 4 1/2 x 20 3/4
- bottom end rails (2) - 1 1/2 x 3 1/2 x 25
- bottom side rails (2) - 1 1/2 x 3 1/2 x 26
- top side rails (2) - 1 1/2 x 3 1/2 x 26
- top stretcher (1) - 1 1/2 x 3 1/2 x 18 1/8
- back seat slat (1) - 1 1/2 x 3 1/2 x 30
- seat slats (3) - 1 1/2 x 3 1/2 x 19 1/2
- mid seat slat (1) - 1 1/2 x 3 1/2 x 19 1/2
- front seat slat (1) - 1 1/2 x 3 1/2 x 19 1/2
- bottom stretcher (1) - 1 1/2 x 3 1/2 x 25
- bottom slats (8) - 1 1/2 x 3 1/2 x 26
- back slats (4) - 1 1/2 x 3 1/2 x 26
- brackets (4) - 1 1/2 x 3 1/2 x 9 3/16
- braces (2) - 1 1/2 x 1 1/2 x 6

All parts are listed in actual dimensions. Refer to the Cutting Diagram on the last page of this plan as a guide for determining the specific board from which to cut the parts.

TAKE CARE!

Follow ALL SAFETY GUIDELINES AND RECOMMENDATIONS provided by the manufacturers of your tools, and any chemicals such as glue and finishes you use in this project. YOU are responsible for your safety, so use common sense when working in the shop!