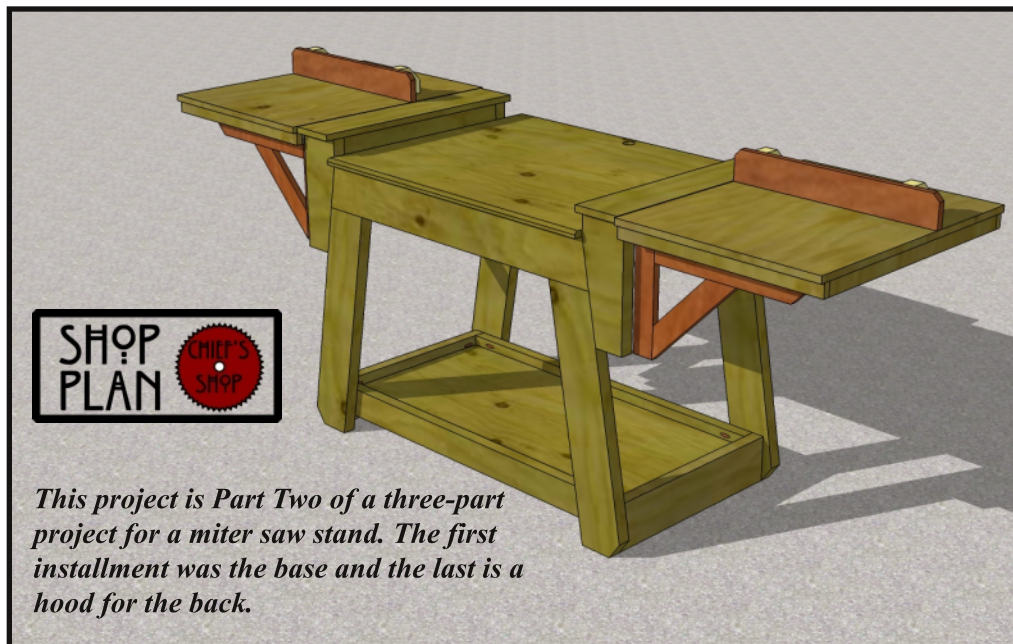


# CHIEF'S SHOP PLAN OF THE WEEK



## MITER SAW STAND: PART TWO: EXTENSIONS



### WHAT YOU'LL NEED



#### LUMBER

- 1 - 1 x 2 x 6
- 4 - 1 x 2 x 8
- 2 - 1 x 3 x 8
- 1 - 1 x 4 x 6
- 1 - 1 x 6 x 6
- 1 - 2 x 4 x 8
- 1 - 2 x 6 x 8
- 1 - 3/4-inch x 4- x 4-foot sheet of plywood

(availability will vary)

#### HARDWARE/SUPPLIES

- 4 - 12" continuous hinges (also called piano hinge, or cabinet hinge)
- 4 - 1 1/2" door hinges
- 2 1/2" pocket hole screws
- 1 1/4" pocket hole screws
- wood glue

#### TOOLS

- table saw with taper jig or jigsaw
- miter saw
- sander/belt sander
- drill/driver
- Kreg pocket hole jig
- clamps
- square

## ABOUT THESE PLANS

On this first page you will see above the project complete. On the [last page](#) you'll find the finished outer dimensions. Be sure to read ALL of the project steps before you start.

To the right is a list of the Lumber, Hardware/Supplies, and Tools you will need to complete this project. A measuring tape and pencil are not included because that should be pretty standard and self explanatory.

Below What You'll Need is the Parts list. This also is included on the [Cutting Diagram](#) page, which is the next to last page of this plan document. Also on the [Cutting Diagram](#) page is an estimate of the cost of the lumber. This estimate doesn't include any other supplies and does not factor in sales tax.

Throughout these plans you'll find the icons below:



### LAYOUT

This indicates a diagram detailing the dimensions of a project part and/or the placement for pocket holes, screws, nails, etc.



### NOTE

Notes are the instructions for a particular step/section of the project.



### TAKE CARE!

This indicates when to pay close attention to the diagrams, take precautions for safety, etc.



### MORE PLANS

Want more Chief's Shop plans? Visit [chiefs-shop.com](http://chiefs-shop.com) and look through the Plans section.

Be sure to "Like" Chief's Shop on facebook by heading over to [facebook.com/ChiefsShop](https://www.facebook.com/ChiefsShop).

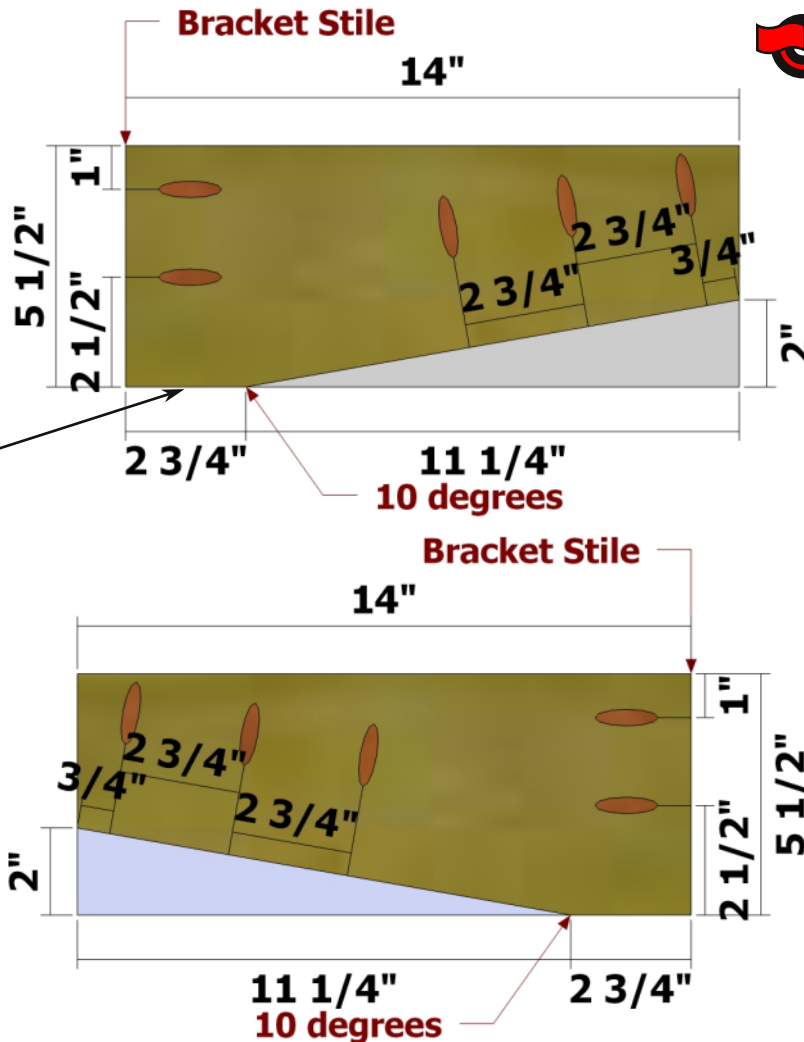
## PARTS

- Bracket Stiles (4) - 1 1/2 x 5 1/2 x 14
- Bracket Rails (2) - 1 1/2 x 5 1/2 x 24
- Bracket Tops (2) - 3/4 x 5 1/2 x 29
- Extension Rails (4) - 3/4 x 2 1/2 x 17 1/2
- Extension Braces (4) - 3/4 x 2 1/2 x 14 1/8
- Extension Stiles (4) - 3/4 x 2 1/2 x 12 1/2
- Platform Rails (10) - 3/4 x 1 1/2 x 27 1/2
- Platform Ends (4) - 3/4 x 1 1/2 x 24
- Platform (2) - 3/4 x 24 x 30
- Fences (2) - 3/4 x 3 1/2 x 24
- Reinforcing Blocks (4+) - 1 1/2 x 3 1/2 x 3 1/2

All parts are listed in actual dimensions. Refer to the Cutting Diagram on the last page of this plan as a guide for determining the specific board from which to cut the parts.

## VIDEO

Check out Chief's Shop Videos on YouTube. ([click here](#))

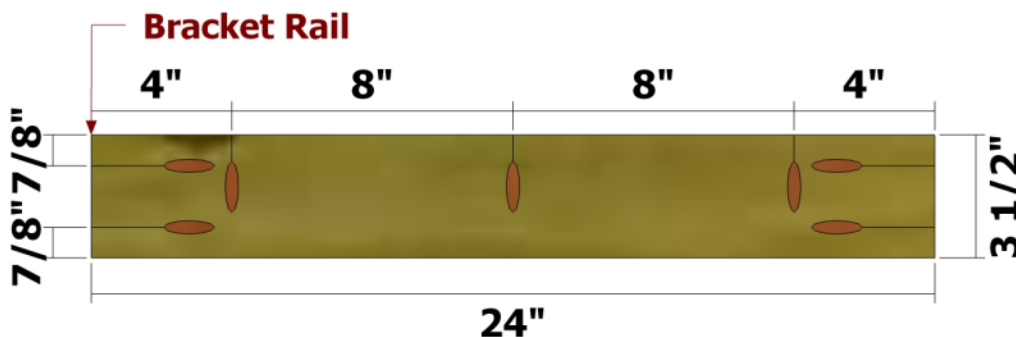


**TAKE CARE!**

The 2 3/4" side shown here is determined by the size of your miter saw. Set your miter saw in place and measure the height of its base. Adjust this distance (the 2 3/4" dimension) as needed to match the height of your saw, but do not alter the remaining dimensions for the Bracket Stiles.

**NOTE**

Use the layouts for creating the Bracket Stiles. Make two of each. Use a taper jig on a table saw or a jigsaw to cut the taper. Set your Kreg Jig and drill bit for 1 1/2" stock for the pocket holes on the tapers, and 3/4" stock for the pocket holes on the ends.

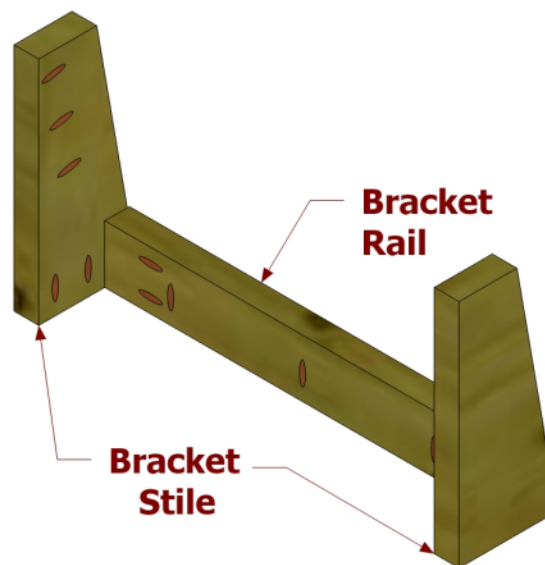


**NOTE**

Use the layout for creating the Bracket Rails. Set your Kreg Jig and drill bit for 1 1/2" stock on the ends, and 3/4" stock for the vertical holes.

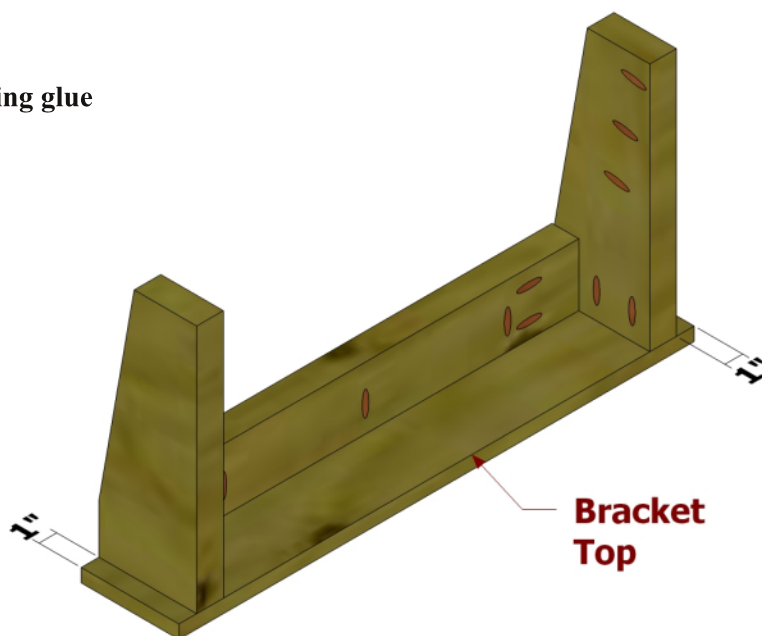
 **NOTE**

Position the parts as shown and attach using glue and 2 1/2" pocket hole screws. Create two assemblies.



 **NOTE**

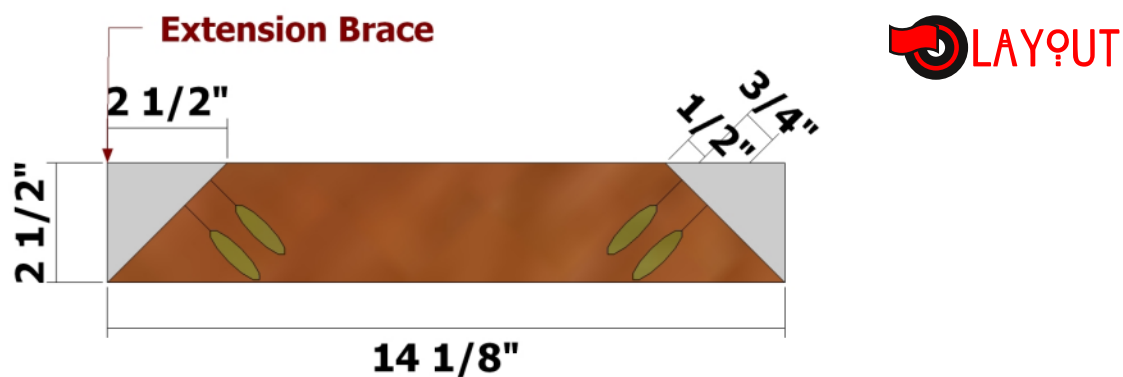
Position the parts as shown and attach using glue and 1 1/4" pocket hole screws.





**NOTE**

Use the layout for creating the Extension Rails. Set your Kreg Jig and drill bit for 3/4" stock. Create two Rails as shown, and two Rails as mirror images (with pocket holes on the opposing face).



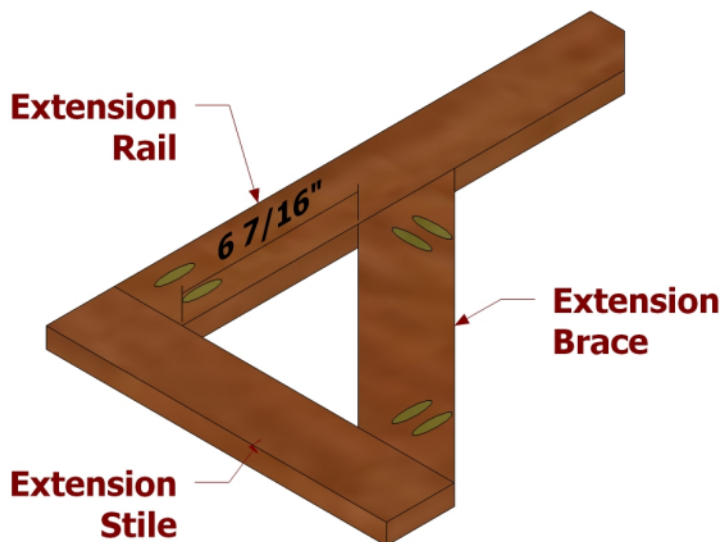
**NOTE**

Use the layout for creating the Extension Braces. The miters cut on the ends are at 45 degrees. Set your Kreg Jig and drill bit for 3/4" stock.



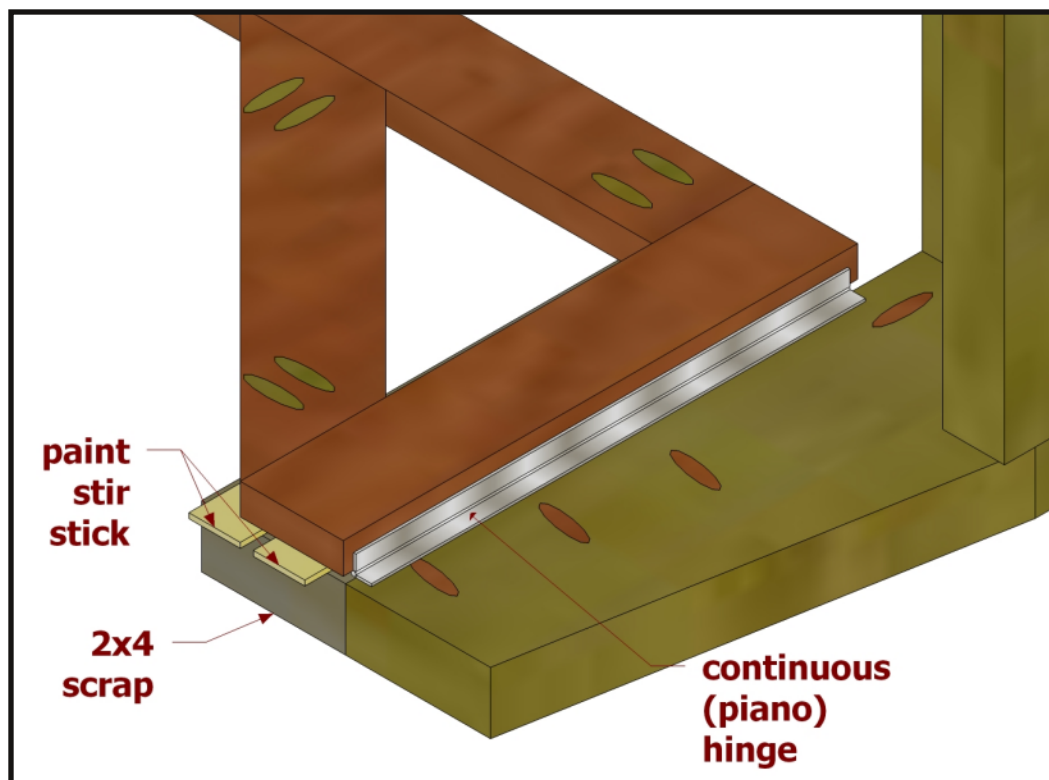
**NOTE**

Position the parts as shown and attach using glue and 1 1/4" pocket hole screws. Create two assemblies as shown and two assemblies as mirror images of this assembly.



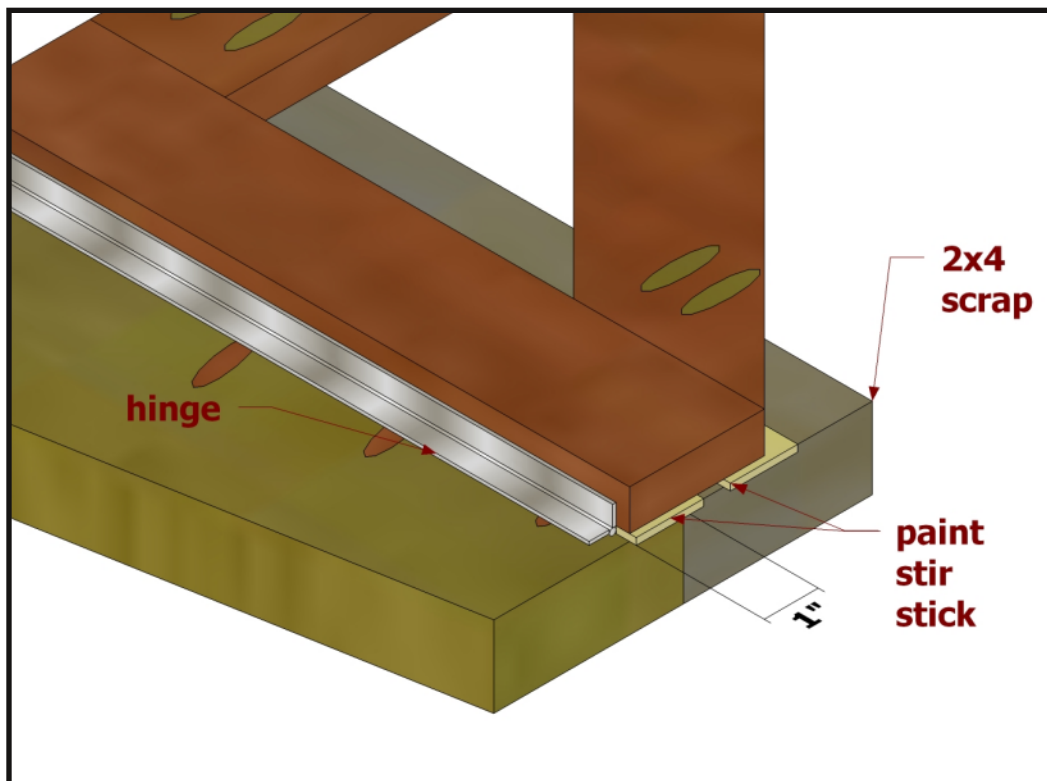
**NOTE**

Position the parts as shown - this is for the Extension Assemblies that will be on the front-facing side of the Bracket Assemblies. Use spacers (paint stir sticks and 2 x 4 scrap in this instance) in positioning the parts. Only attach a few screws on each side of the hinge and test the movement and spacing of the hinge. The Extension Assembly should not stand proud of the front of the Bracket Stile. After you have adjusted the hinge as needed, scribe the outline of the hinge on the Bracket Stile and remove it. Leave the hinge attached to the Extension Assembly.



**NOTE**

Position the parts as shown - this is for the Extension Assemblies that will be on the back-facing side of the Bracket Assemblies. Use spacers (paint stir sticks and 2 x 4 scrap in this instance) in positioning the parts. Only attach a few screws on each side of the hinge and test the movement and spacing of the hinge. The Extension Assembly should be 1" from the front edge of the Bracket Stile. This will allow room for the other Extension Assembly. After you have adjusted the hinge as needed, scribe the outline of the hinge on the Bracket Stile and remove it. Leave the hinge attached to the Extension Assembly.



 NOTE

Position the Bracket Assemblies as shown, making sure the Bracket Stiles where the front-facing Extensions Assemblies were attached are in fact on the front. Position the bottom part of the 2 3/4" edge of these Stiles flush with the bottom edge of the top on the base. Attach with 2 1/2-inch pocket hole screws through the Stiles, then test to make sure the Bracket Tops are level with the base of your miter saw. Adjust if needed, then drive three more 2 1/2-inch pocket hole screws through the Brack Rail and into the Base Top End Rail.

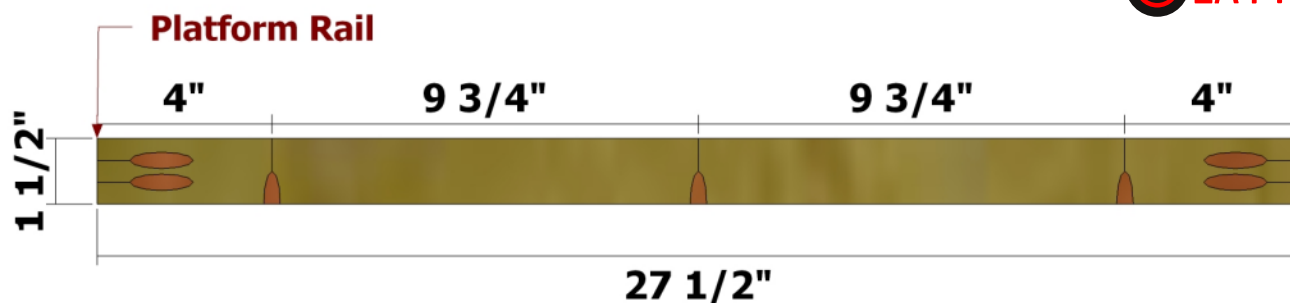




Reattach the extension assemblies.



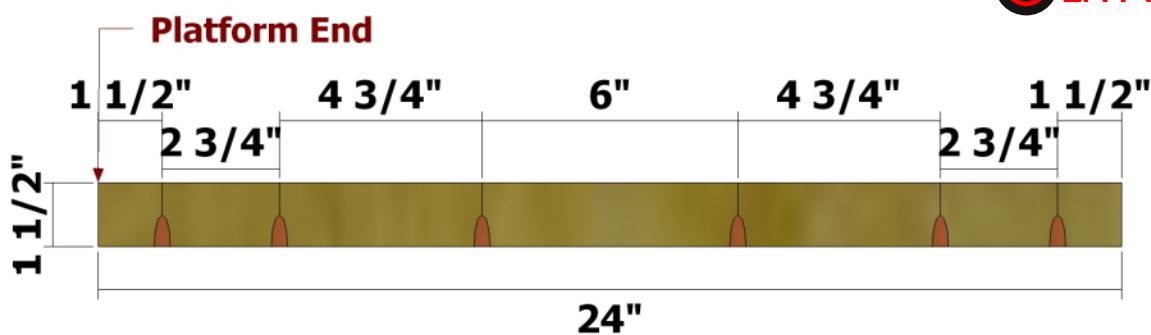
 LAYOUT



 NOTE

Use the layout for creating the Platform Rails. Set your Kreg Jig and drill bit for 3/4" stock.

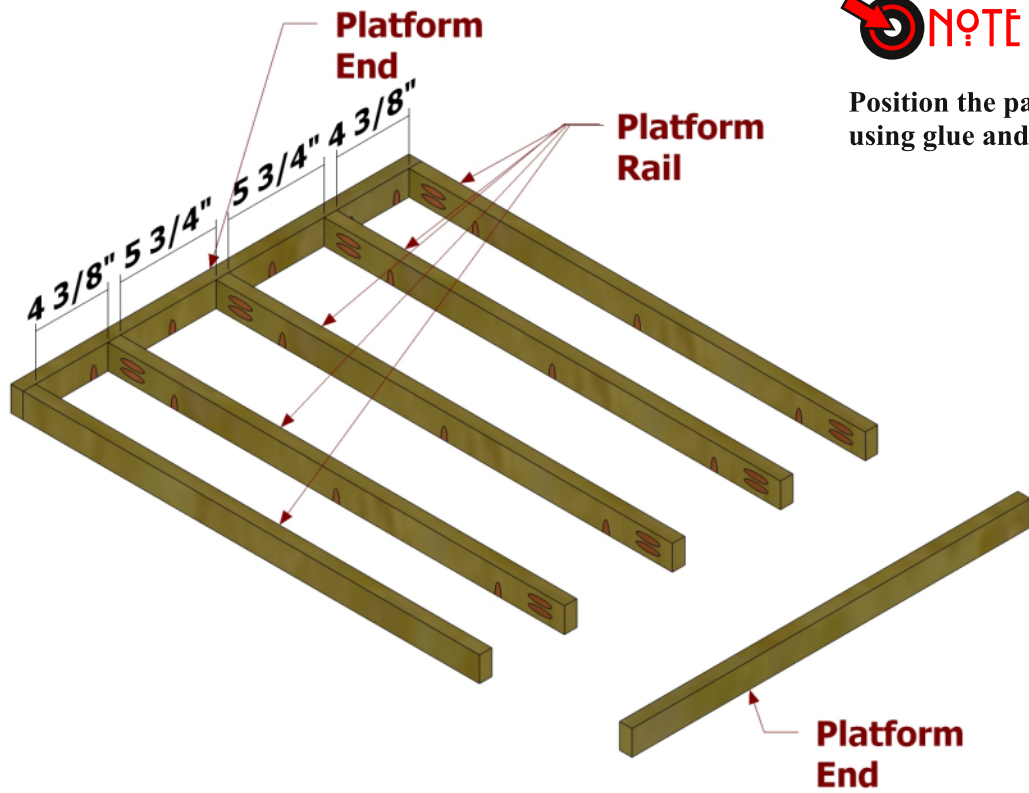
 LAYOUT



 NOTE

Use the layout for creating the Platform Ends. Set your Kreg Jig and drill bit for 3/4" stock.



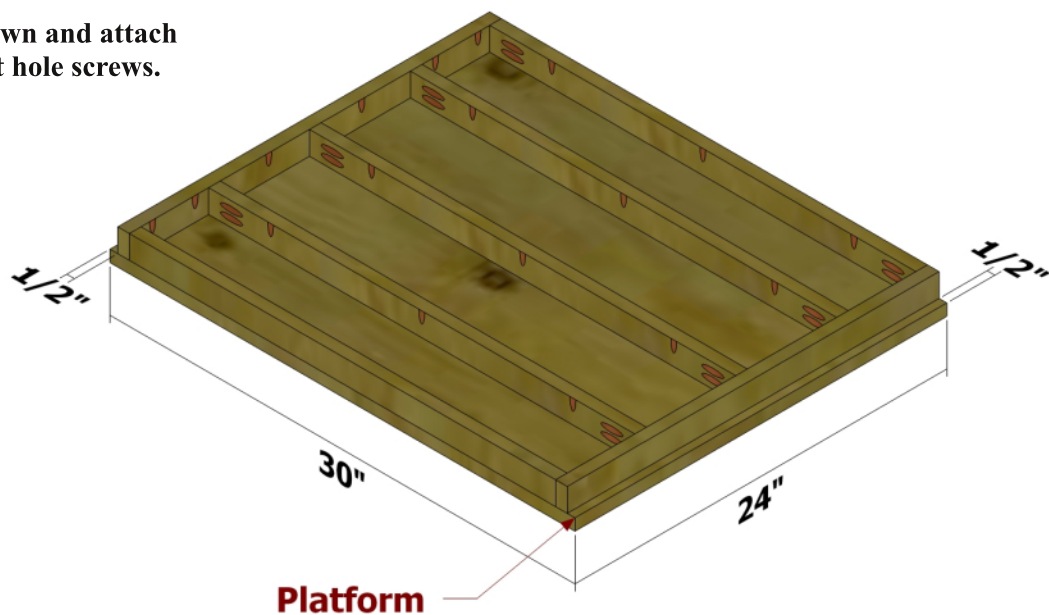


**NOTE**

Position the parts as shown and attach using glue and 1 1/4" pocket hole screws.

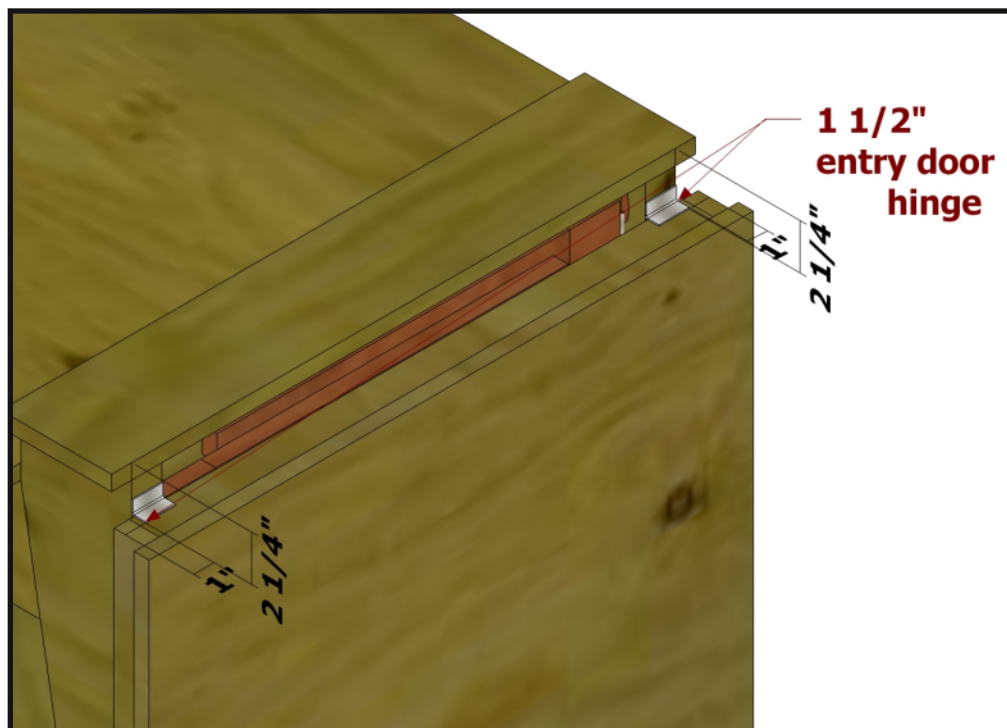
**NOTE**

Position the Platform as shown and attach using glue and 1 1/4" pocket hole screws.

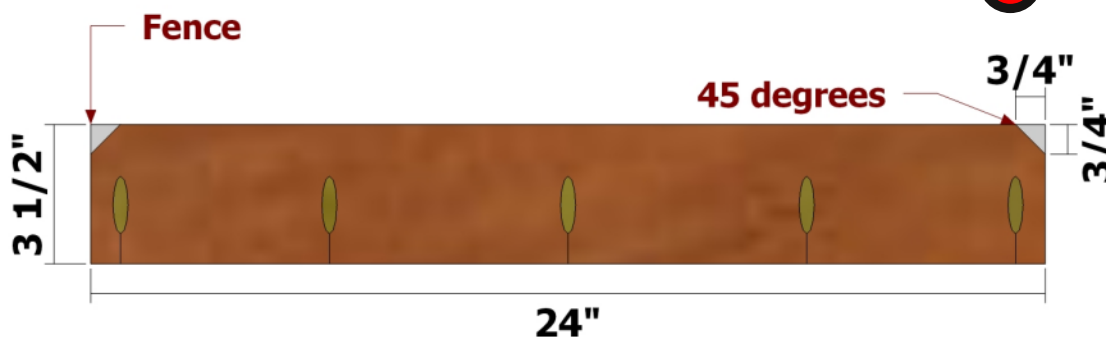


 NOTE

Position the Platform Assemblies as shown (widest part of the assembly adjacent to the Bracket Assembly) and attach to the Bracket Assemblies using 1 1/2-inch entry door hinges. Test to make sure the Platform Assembly is level with the top of the Bracket Assembly.

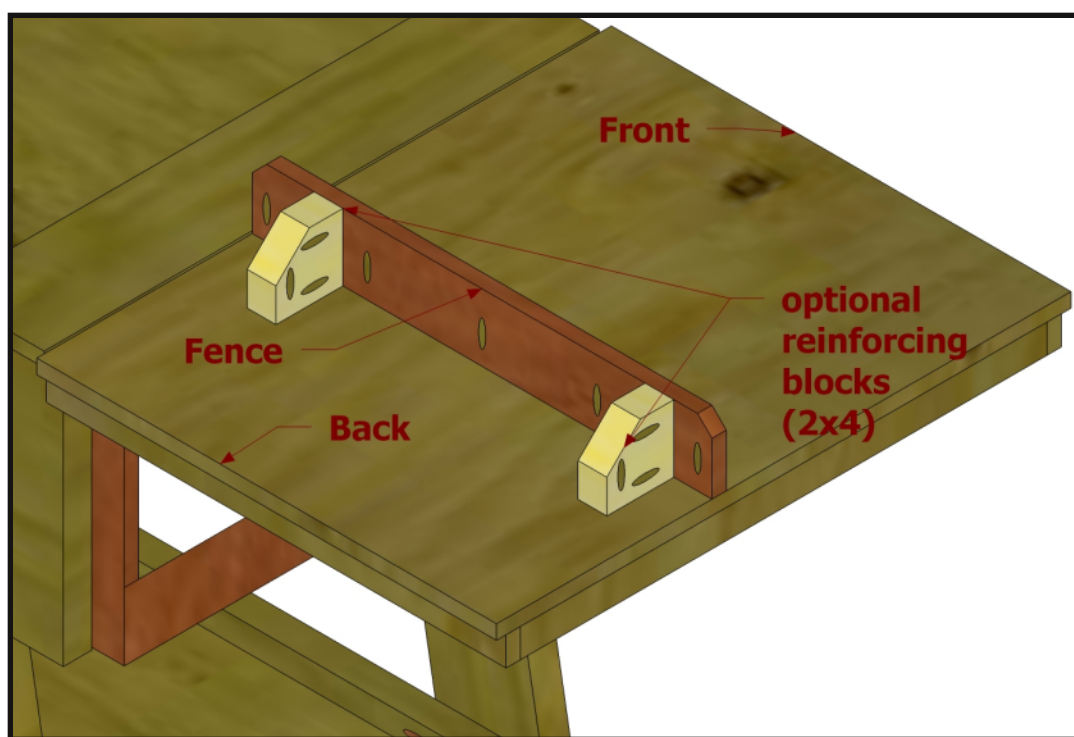


 LAYOUT



 NOTE

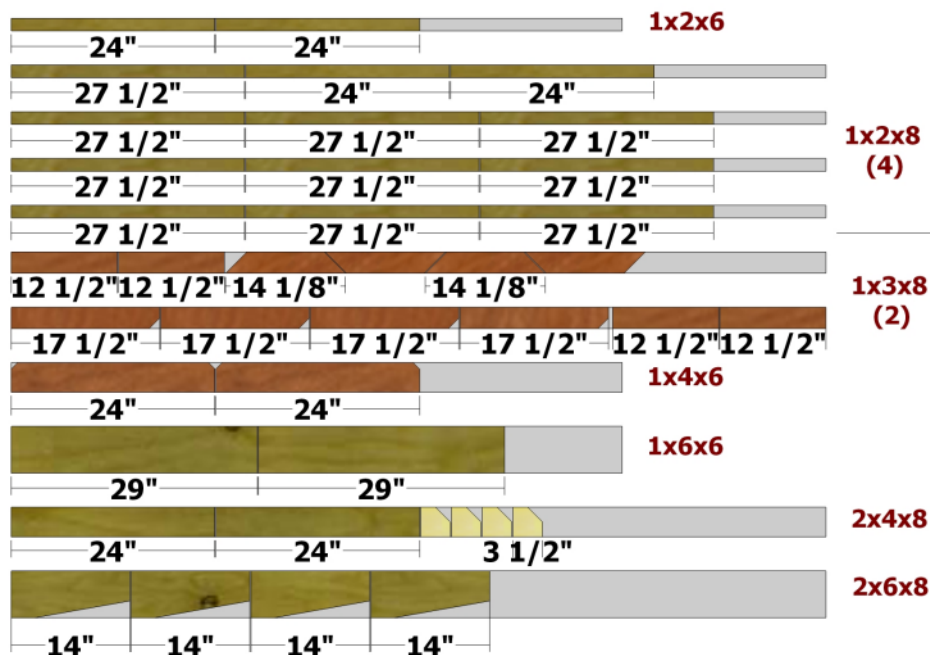
Use the layout for creating the Fences. **Set your Kreg Jig and drill bit for 3/4" stock.**



 NOTE

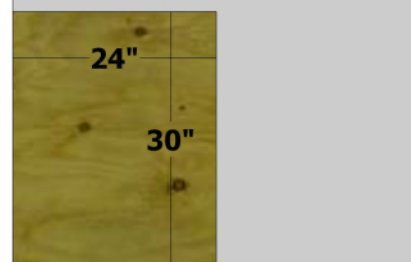
Position your miter saw on the Base Assembly and secure in place using nuts and bolts. If it is a sliding saw, make sure it does not extend past the back of the assembly when fully slid back. Use a square to make sure it is square with the Base Assembly. Line up the Fences with the fence of your saw and attach using 3/4" pocket hole screws only. If desired, attach 2 x 4 reinforcing blocks to both the Fence and the Platform using 3/4" pocket hole screws only. Set up a long board on the saw and test it to make sure the board is flush with the fence on the saw and the Fence on the stand.

 **CUTTING DIAGRAM**



3/4-inch x 4- x 4-foot sheet of plywood

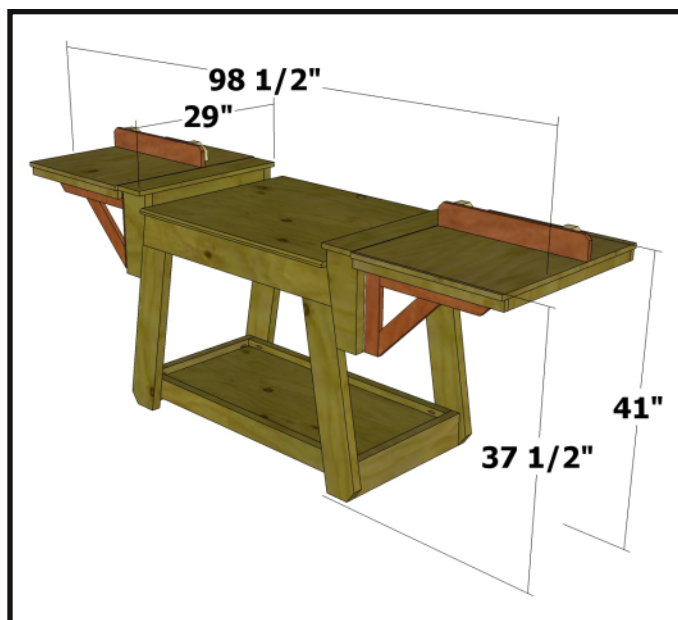
cut one Platform from this sheet and one Platform from the full sheet in Part One



**PARTS**

- Bracket Stiles (4) - 1 1/2 x 5 1/2 x 14
- Bracket Rails (2) - 1 1/2 x 5 1/2 x 24
- Bracket Tops (2) - 3/4 x 5 1/2 x 29
- Extension Rails (4) - 3/4 x 2 1/2 x 17 1/2
- Extension Braces (4) - 3/4 x 2 1/2 x 14 1/8
- Extension Stiles (4) - 3/4 x 2 1/2 x 12 1/2
- Platform Rails (10) - 3/4 x 1 1/2 x 27 1/2
- Platform Ends (4) - 3/4 x 1 1/2 x 24
- Platform (2) - 3/4 x 24 x 30
- Fences (2) - 3/4 x 3 1/2 x 24
- Reinforcing Blocks (4+) - 1 1/2 x 3 1/2 x 3 1/2

All parts are listed in actual dimensions. Refer to the Cutting Diagram on the last page of this plan as a guide for determining the specific board from which to cut the parts.



**TAKE CARE!**

Follow ALL SAFETY GUIDELINES AND RECOMMENDATIONS provided by the manufacturers of your tools, and any chemicals such as glue and finishes you use in this project. YOU are responsible for your safety, so use common sense when working in the shop!