

CHIEF'S SHOP PLAN OF THE WEEK



MITER SAW STAND: PART ONE: BASE



WHAT YOU'LL NEED



LUMBER

- 2 - 2 x 4 x 8
- 4 - 2 x 6 x 8
- 1 - 3/4-inch x 4- x 8-foot sheet of plywood
(availability will vary)

HARDWARE/SUPPLIES

- 2 1/2" pocket hole screws
- 1 1/4" pocket hole screws
- 1 1/2" brads
- wood glue

TOOLS

- miter saw
- sander/belt sander
- drill/driver
- Forstner or spade bit
- Kreg pocket hole jig
- clamps
- square

ABOUT THESE PLANS

On this first page you will see above the project complete. On the [last page](#) you'll find the finished outer dimensions. Be sure to read ALL of the project steps before you start.

To the right is a list of the Lumber, Hardware/Supplies, and Tools you will need to complete this project. A measuring tape and pencil are not included because that should be pretty standard and self explanatory.

Below What You'll Need is the Parts list. This also is included on the [Cutting Diagram](#) page, which is the next to last page of this plan document. Also on the [Cutting Diagram](#) page is an estimate of the cost of the lumber. This estimate doesn't include any other supplies and does not factor in sales tax.

Throughout these plans you'll find the icons below:



LAYOUT

This indicates a diagram detailing the dimensions of a project part and/or the placement for pocket holes, screws, nails, etc.



NOTE

Notes are the instructions for a particular step/section of the project.



TAKE CARE!

This indicates when to pay close attention to the diagrams, take precautions for safety, etc.



MORE PLANS

Want more Chief's Shop plans? Visit chiefs-shop.com and look through the Plans section.

Be sure to "Like" Chief's Shop on facebook by heading over to [facebook.com/ChiefsShop](https://www.facebook.com/ChiefsShop).

PARTS

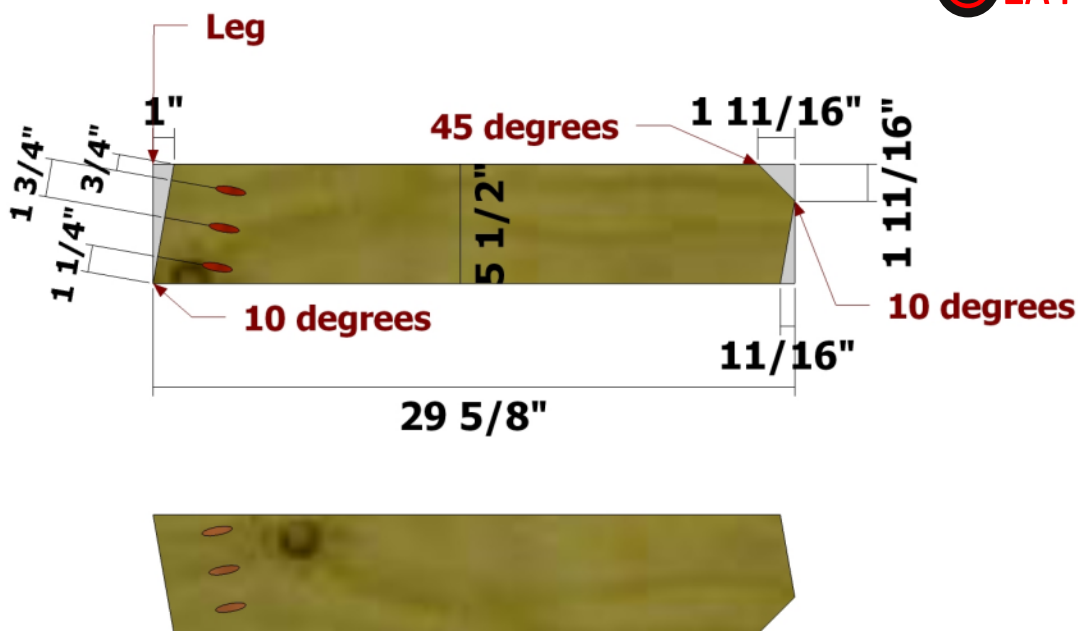
- Legs (4) - 1 1/2 x 5 1/2 x 29 5/8
- Top Side Rails (2) - 1 1/2 x 5 1/2 x 41 3/16
- Top End Rails (2) - 1 1/2 x 5 1/2 x 24
- Bottom End Rails (2) - 1 1/2 x 5 1/2 x 21
- Top Stretcher (1) - 1 1/2 x 3 1/2 x 24
- Bottom Stretchers (3) - 1 1/2 x 3 1/2 x 21
- Bottom Side Rails (2) - 1 1/2 x 3 1/2 x 44 13/16
- Top (1) - 3/4 x 31 x 39 1/4
- Bottom (1) - 3/4 x 20 7/8 x 44 5/8

All parts are listed in actual dimensions. Refer to the Cutting Diagram on the last page of this plan as a guide for determining the specific board from which to cut the parts.

VIDEO

Check out Chief's Shop Videos on YouTube. ([click here](#))

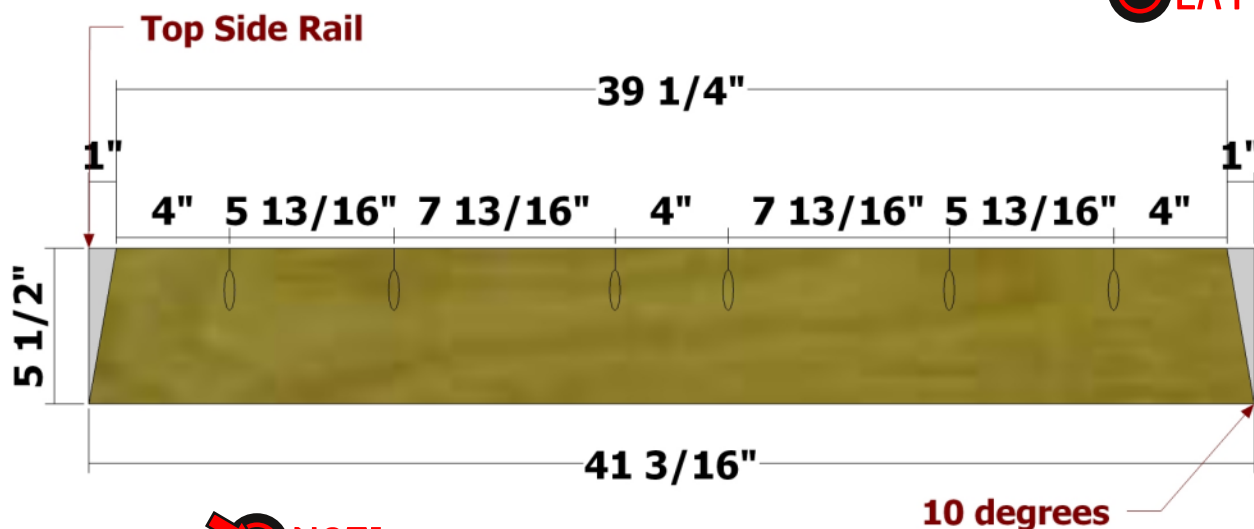
LAYOUT



NOTE

Use the layouts (one is just a mirror image of the other) for creating the Legs. Make two of each. Set your Kreg Jig and drill bit for 1 1/2" stock.

LAYOUT

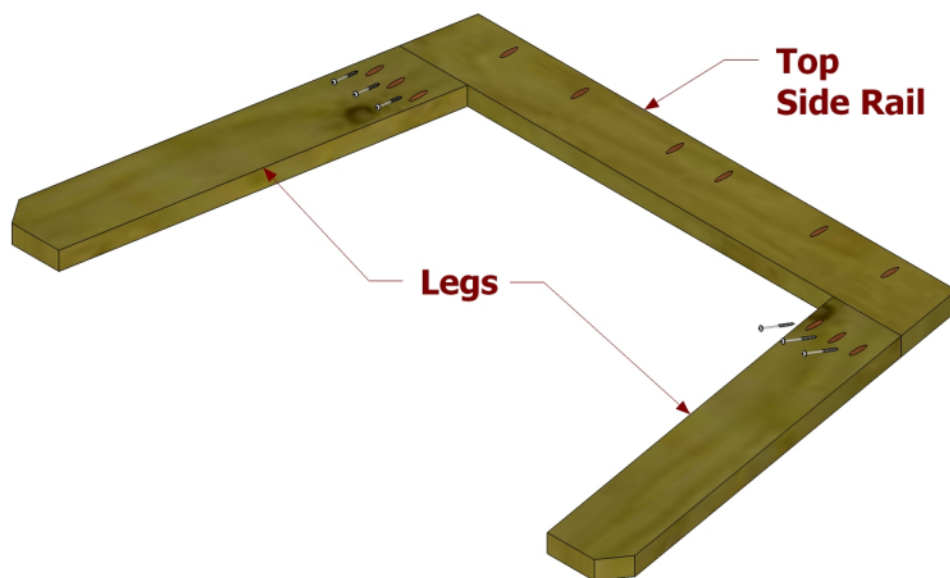


NOTE

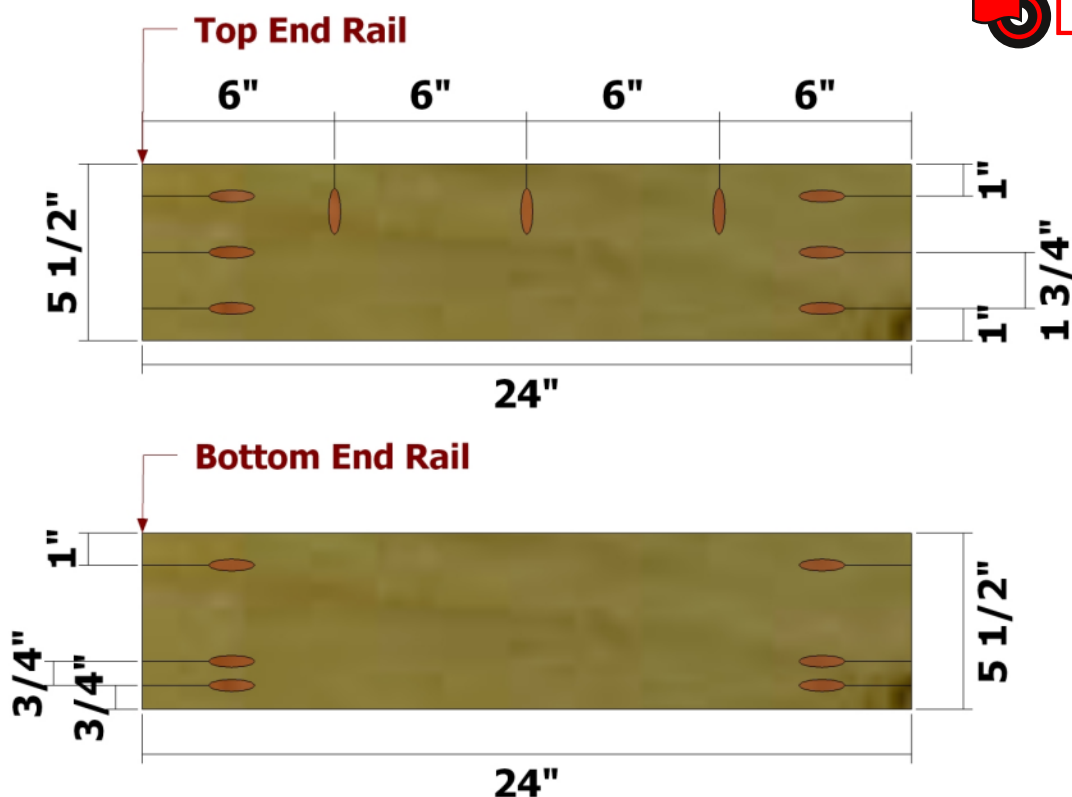
Use the layout above for creating the Top Side Rails. Set your Kreg Jig and drill bit for 1 1/2" stock.

 NOTE

Position the parts as shown and attach using glue and 2 1/2" pocket hole screws. Create two assemblies.



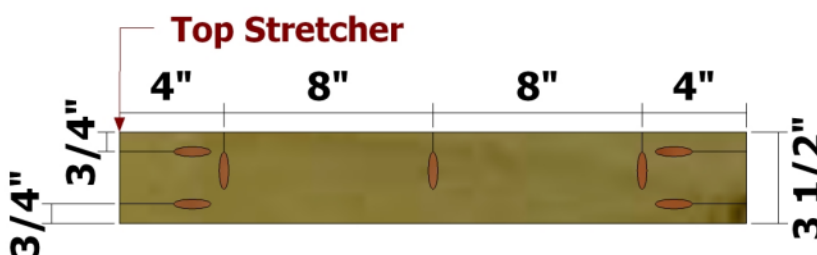
 LAYOUT



 NOTE

Use the layouts above for creating the Top End Rails and Bottom End Rails. Set your Kreg Jig and drill bit for 1 1/2" stock for drilling the pocket holes on the ends of both parts, and 3/4" stock for the vertical holes on the Top End Rails.

 LAYOUT

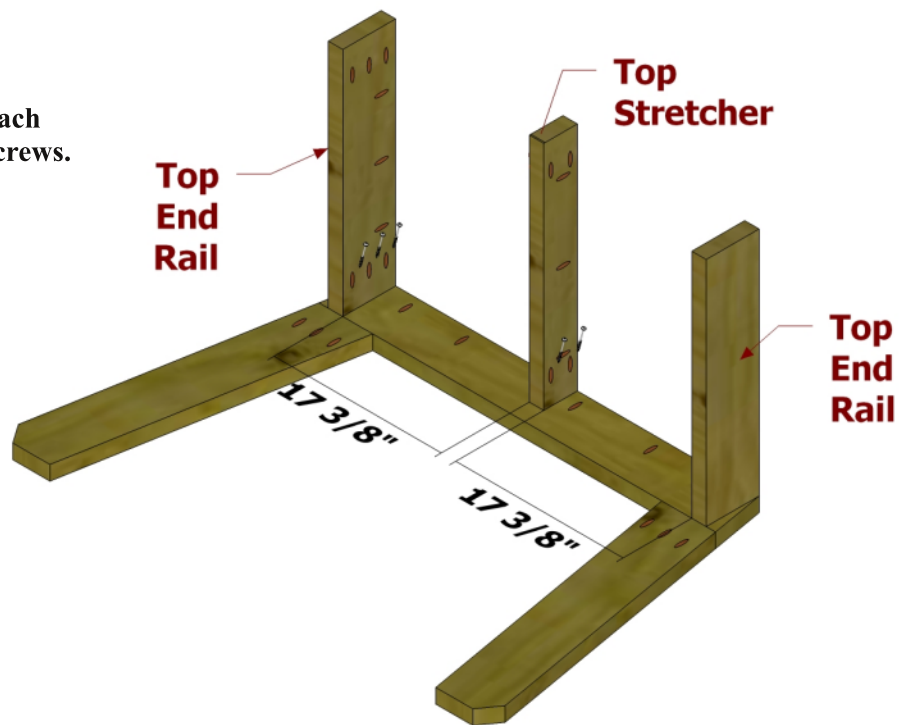


 NOTE

Use the layout above for creating the Top Stretcher. Set your Kreg Jig and drill bit for 1 1/2" stock for the pocket holes on the ends, and 3/4" stock for the three vertical holes.

NOTE

Position the parts as shown and attach using glue and 2 1/2" pocket hole screws.



LAYOUT



NOTE

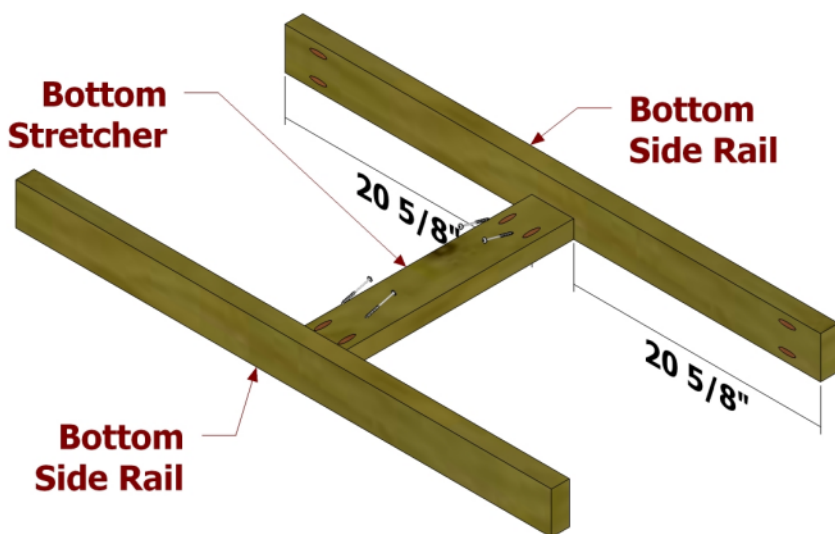
Use the layout above for creating the Bottom Stretcher. Set your Kreg Jig and drill bit for 1 1/2" stock.

 LAYOUT



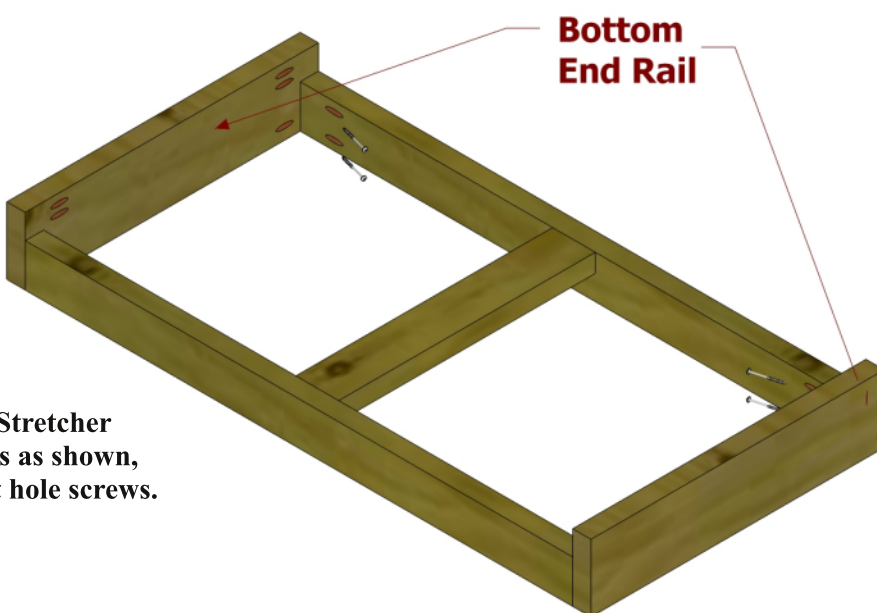
 NOTE

Use the layouts above for creating the Bottom Side Rails. Set your Kreg Jig and drill bit for 1 1/2" stock.



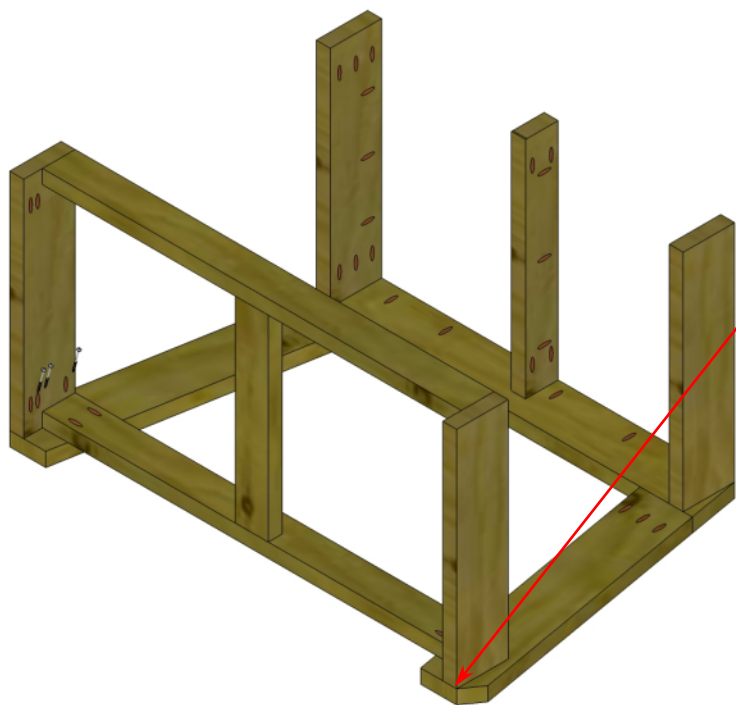
 NOTE

Position one Bottom Stretcher as shown and attach using glue and 2 1/2" pocket hole screws.



 NOTE

Flip over the Bottom Side Rail/Bottom Stretcher assembly, position the Bottom End Rails as shown, and attach using glue and 2 1/2" pocket hole screws.

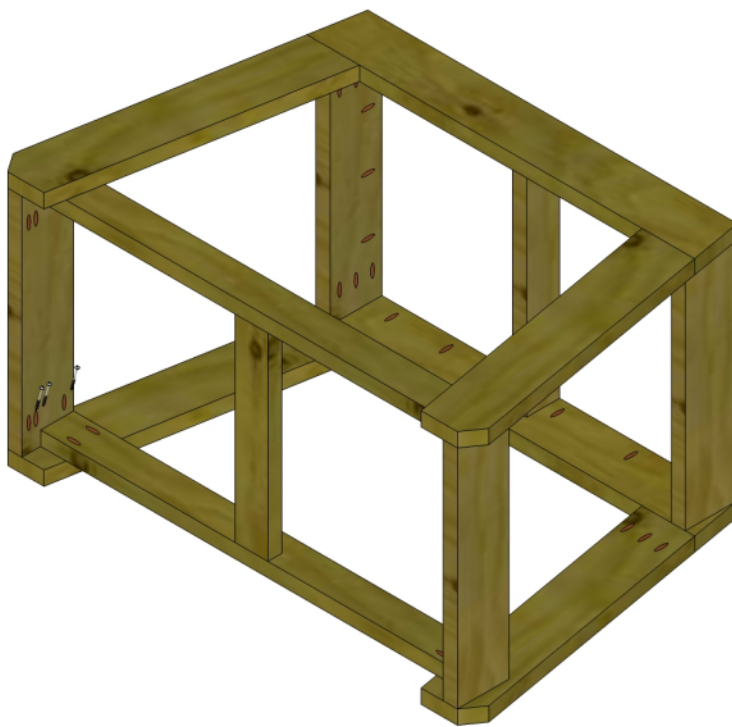


 **NOTE**

Position the Bottom Side Rail/Stretcher/End Rail assembly as shown (flush with the corner of the angle cut on the bottom of the Legs) and attach using glue and 2 1/2" pocket hole screws.

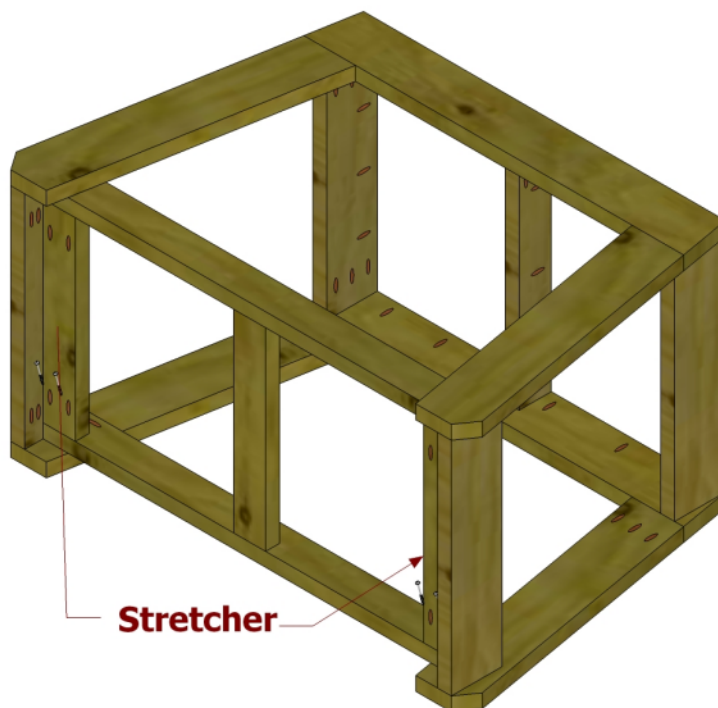
 **NOTE**

Position the remaining Leg/Top Side Rail assembly as shown and attach using glue and 2 1/2" pocket hole screws.

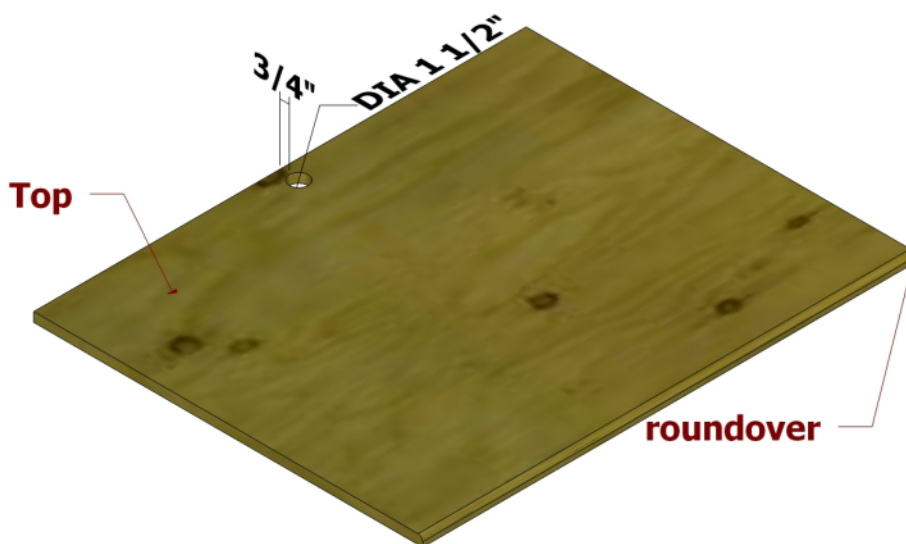


NOTE

Position the remaining Stretchers as shown and attach using glue and 2 1/2" pocket hole screws.



LAYOUT

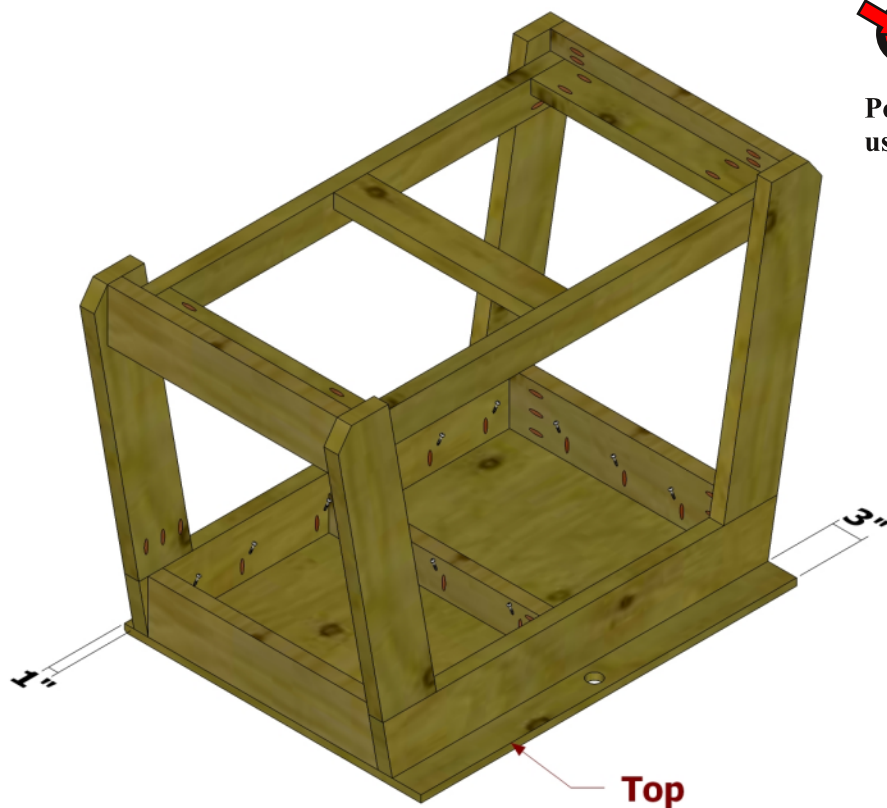


NOTE

Cut the Top per the Parts List. Drill a hole as shown above to allow you to connect a shop vacuum hose or dust collection hose. You will need drill this hole to meet your needs - the 1 1/2" hole is just an example. Sand a slight roundover on the opposite edge of the part.

 **NOTE**

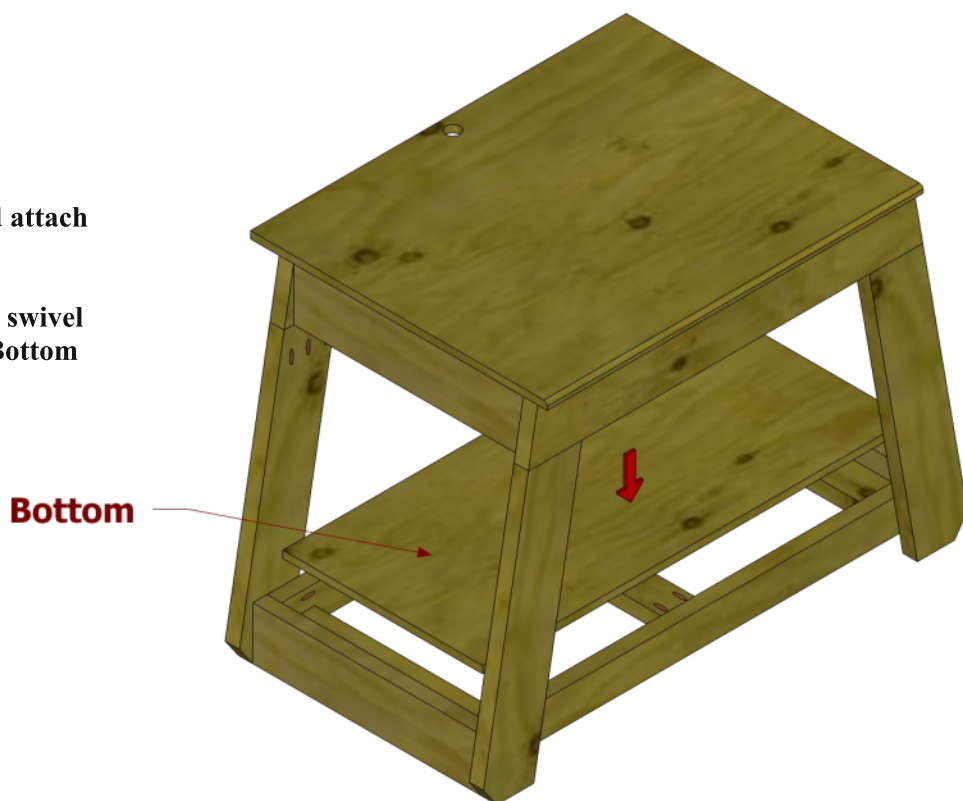
Position the Top as shown and attach using glue and 1 1/4" pocket hole screws.



 **NOTE**

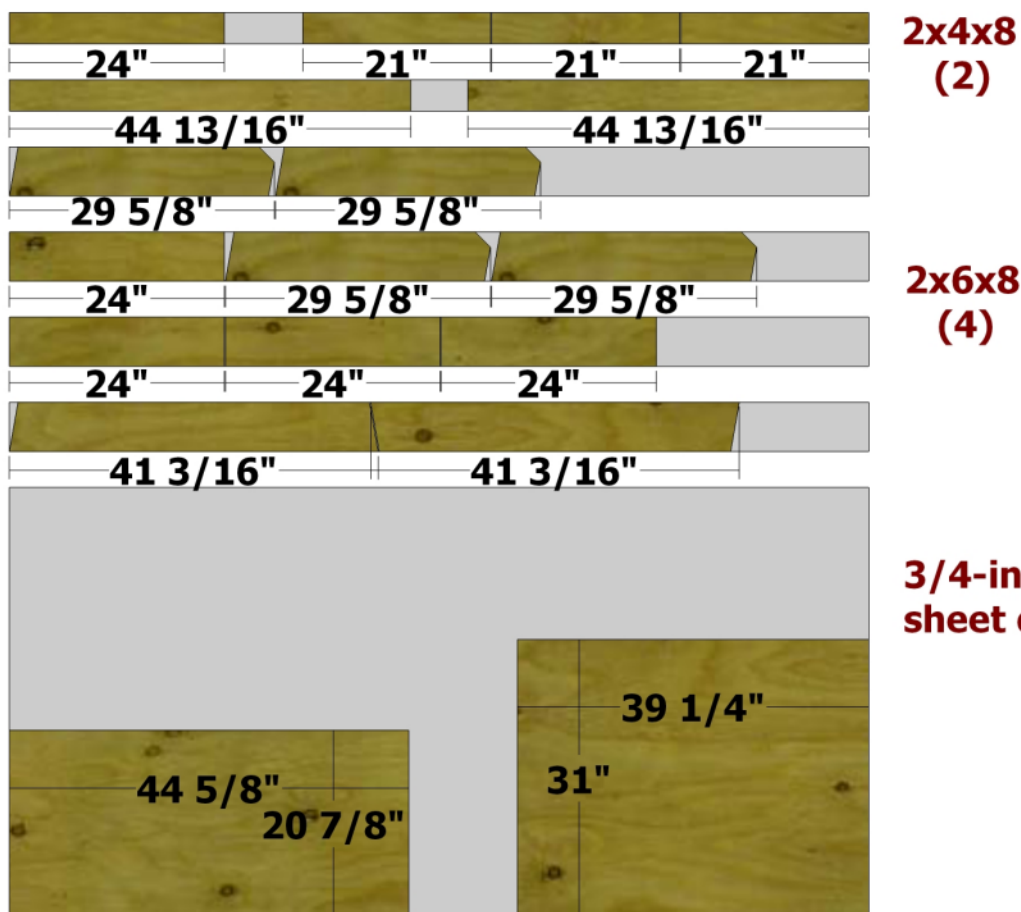
Position the Bottom as shown and attach using glue and 1 1/2" brads.

As final step, you can add locking swivel casters by attaching them to the Bottom Stretchers.





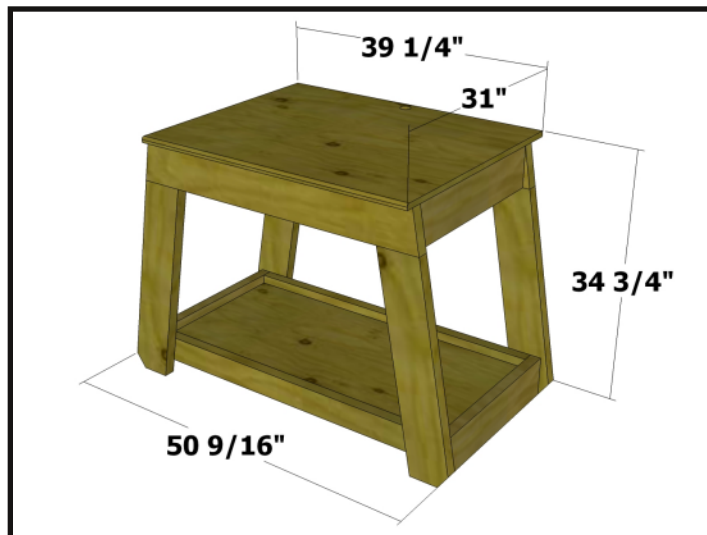
CUTTING DIAGRAM



✚ PARTS ✚

- Legs (4) - 1 1/2 x 5 1/2 x 29 5/8
- Top Side Rails (2) - 1 1/2 x 5 1/2 x 41 3/16
- Top End Rails (2) - 1 1/2 x 5 1/2 x 24
- Bottom End Rails (2) - 1 1/2 x 5 1/2 x 21
- Top Stretcher (1) - 1 1/2 x 3 1/2 x 24
- Bottom Stretchers (3) - 1 1/2 x 3 1/2 x 21
- Bottom Side Rails (2) - 1 1/2 x 3 1/2 x 44 13/16
- Top (1) - 3/4 x 31 x 39 1/4
- Bottom (1) - 3/4 x 20 7/8 x 44 5/8

All parts are listed in actual dimensions. Refer to the Cutting Diagram on the last page of this plan as a guide for determining the specific board from which to cut the parts.



✚ TAKE CARE!

Follow **ALL SAFETY GUIDELINES AND RECOMMENDATIONS** provided by the manufacturers of your tools, and any chemicals such as glue and finishes you use in this project. **YOU** are responsible for your safety, so use common sense when working in the shop!