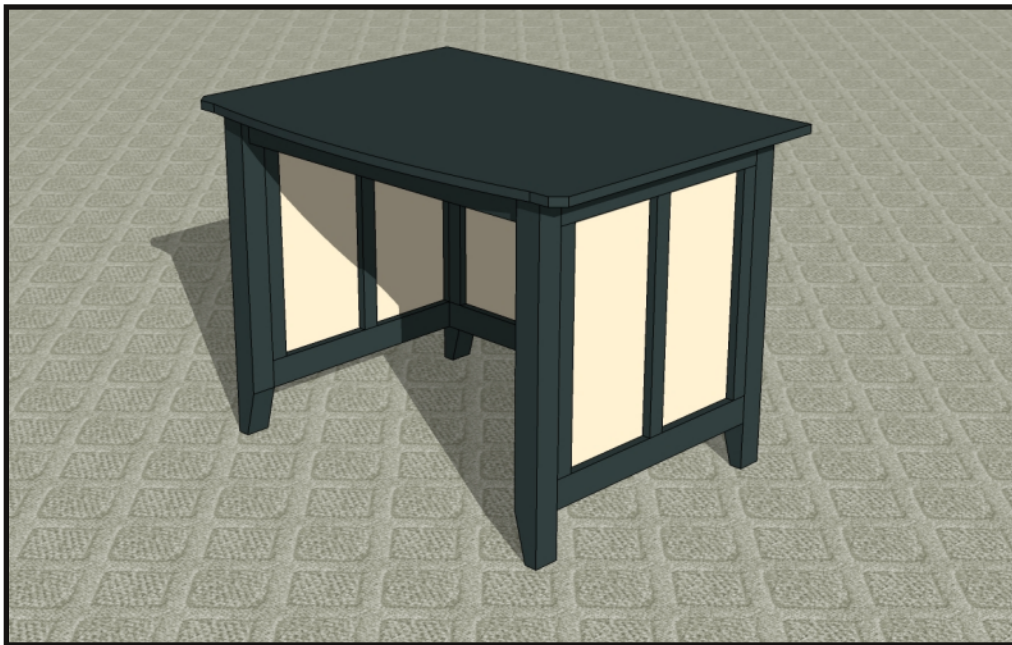


# CHIEF'S SHOP PLAN OF THE WEEK



## HOME OFFICE DESK



### ABOUT THESE PLANS

On this first page you will see above the project complete. On the [last page](#) you'll find the finished outer dimensions. Be sure to read ALL of the project steps before you start.

To the right is a list of the Lumber, Hardware/Supplies, and Tools you will need to complete this project. A measuring tape and pencil are not included because that should be pretty standard and self explanatory.

Below What You'll Need is the Parts list. This also is included on the [Cutting Diagram](#) page, which is the next to last page of this plan document. Also on the [Cutting Diagram](#) page is an estimate of the cost of the lumber. This estimate doesn't include any other supplies and does not factor in sales tax.

Throughout these plans you'll find the icons below:



**LAYOUT** This indicates a diagram detailing the dimensions of a project part and/or the placement for pocket holes, screws, nails, etc.



**NOTE** Notes are the instructions for a particular step/section of the project.



**TAKE CARE!** This indicates when to pay close attention to the diagrams, take precautions for safety, etc.



### MORE PLANS

Want more Chief's Shop plans? Visit [chiefs-shop.com](http://chiefs-shop.com) and look through the Plans section.

Be sure to "Like" Chief's Shop on facebook by heading over to [facebook.com/ChiefsShop](https://www.facebook.com/ChiefsShop).

### WHAT YOU'LL NEED



#### LUMBER

1 - 1 x 2 x 4  
4 - 1 x 2 x 8  
8 - 1 x 3 x 8  
1 - 3/4 x 4 x 8  
sheet of plywood

*(availability will vary)*

#### HARDWARE/SUPPLIES

1 1/4" brads  
Kreg 1 1/4" pocket hole screws  
wood glue  
paint/stain/  
sealer/polyurethane  
edge banding (optional)

#### TOOLS

table saw or circular saw  
miter saw  
jig saw  
sander/belt sander  
drill/driver  
Kreg Jig  
tapering jig (optional)  
clamps  
square

### PARTS

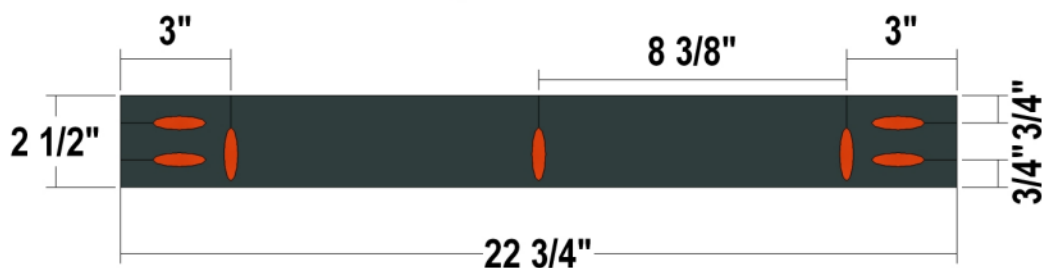
Top End Rails (4) - 3/4 x 2 1/2 x 22 3/4  
Bottom End Rails (4) - 3/4 x 2 1/2 x 22 3/4  
Edge Stiles (12) - 3/4 x 2 1/2 x 19 3/4  
Center Stiles (6) - 3/4 x 2 1/2 x 19 3/4  
Legs (12) - 3/4 x 2 1/2 x 30  
Top Back Rails (2) - 3/4 x 2 1/2 x 31 1/2  
Bottom Back Rais (2) - 3/4 x 2 1/2 x 31 1/2  
Front Rail (1) - 3/4 x 2 1/2 x 31 1/2  
End Panels (2) - 3/4 x 22 3/4 x 24 3/4  
Back Panel (1) - 3/4 x 31 1/2 x 24 3/4  
Top (1) - 3/4 x 41 1/2 x 30 3/4  
Stretcher (1) - 3/4 x 2 1/2 x 21 1/4

*All parts are listed in actual dimensions. Refer to the Cutting Diagram on the last page of this plan as a guide for determining the specific board from which to cut the parts.*

### VIDEO

Check out Chief's Shop Videos on YouTube. ([click here](#))

**Top End Rail**

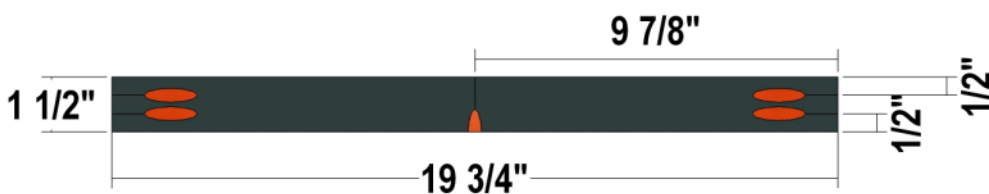


**Bottom End Rail**



Use the layout for creating the Top End Rails and Bottom End Rails. Set your Kreg Jig and drill bit for 3/4" stock. Create two of each with the pocket holes and two of each without the pocket holes.

**Edge Stile**



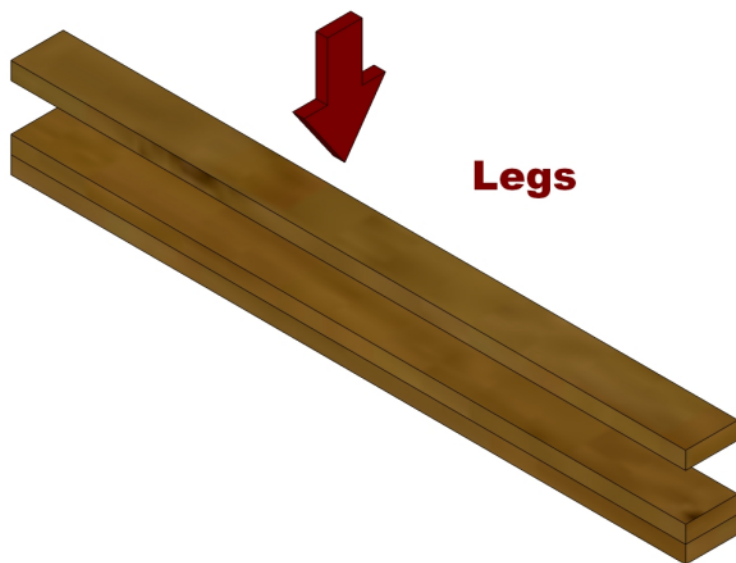
**Center Stile**



Use the layout for creating the Edge Stiles and Center Stiles. Set your Kreg Jig and drill bit for 3/4" stock. Only create six of the Edge Stiles with the vertical pocket holes.

 **NOTE**

Apply glue to the adjoining faces of three Legs, clamp, and attach using 1 1/4" brads. Allow to dry and scrape/sand off any glue squeeze out.



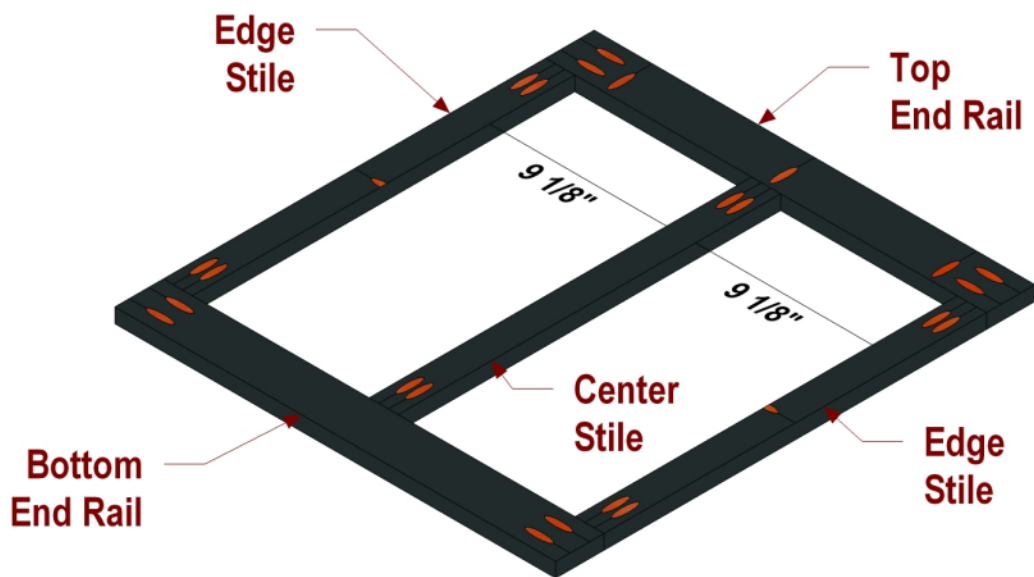
 **LAYOUT**

**Leg Assembly**



 **NOTE**

Cut the Leg Assemblies to the dimension shown above, then cut a 15-degree taper on one end. Make sure you have the proper orientation of the taper cutting across the 2 1/4" width as shown. You can skip this taper or cut a 45-degree miter if desired.

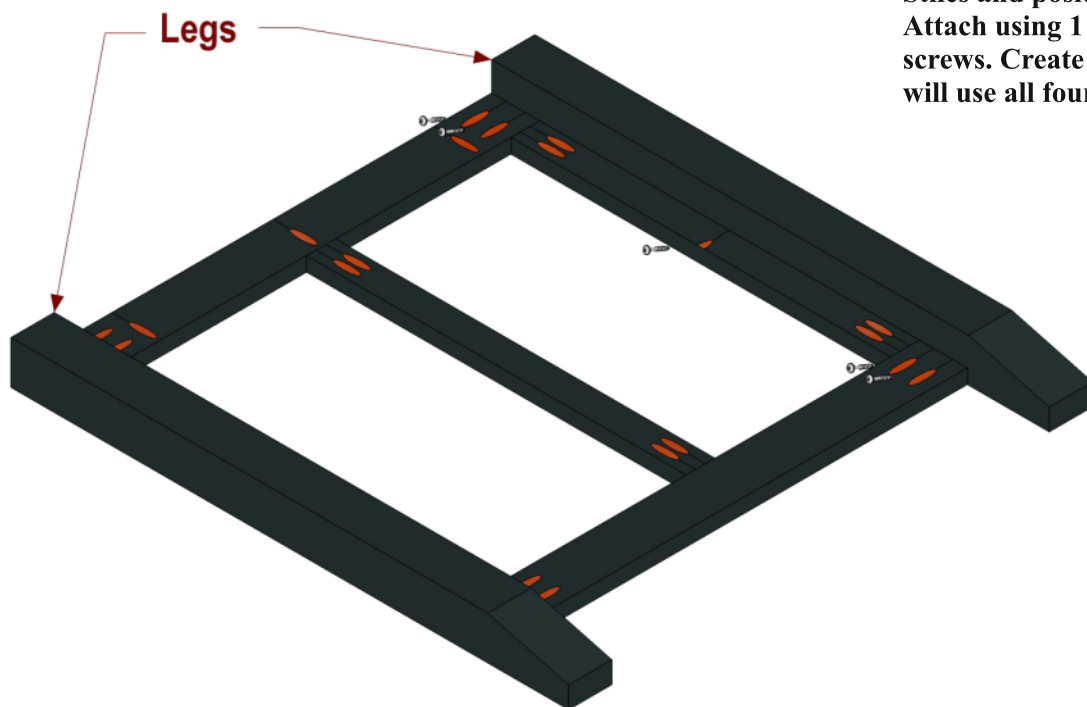


**NOTE**

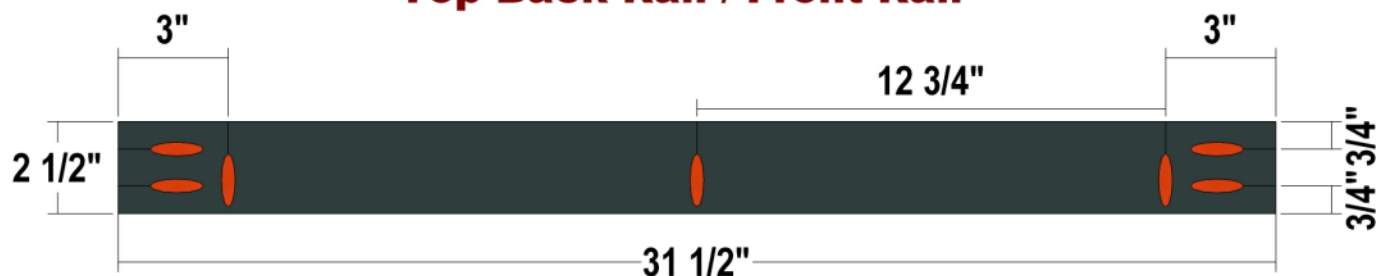
Apply glue to the ends of two Edge Stiles (with vertical pocket holes) and one Center Stile and position them as shown with one Top End Rail with a vertical pocket hole. Attach using 1 1/4" pocket hole screws. Create two assemblies like this, and two assemblies using the Top End Rails and Edge Stiles without vertical pocket holes. Use the End Assemblies with vertical pocket holes in the next step.

**NOTE**

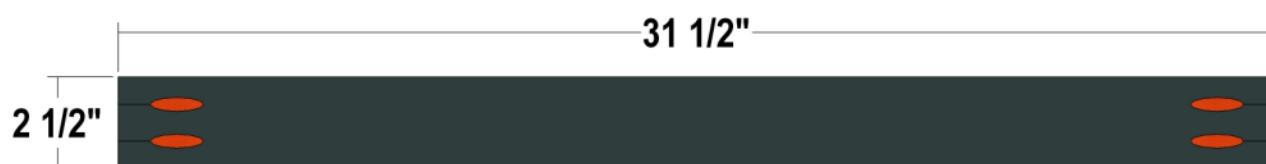
Apply glue to the edges of the Edge Stiles and position as shown at left. Attach using 1 1/4" pocket hole screws. Create two assemblies. This will use all four Leg Assemblies.



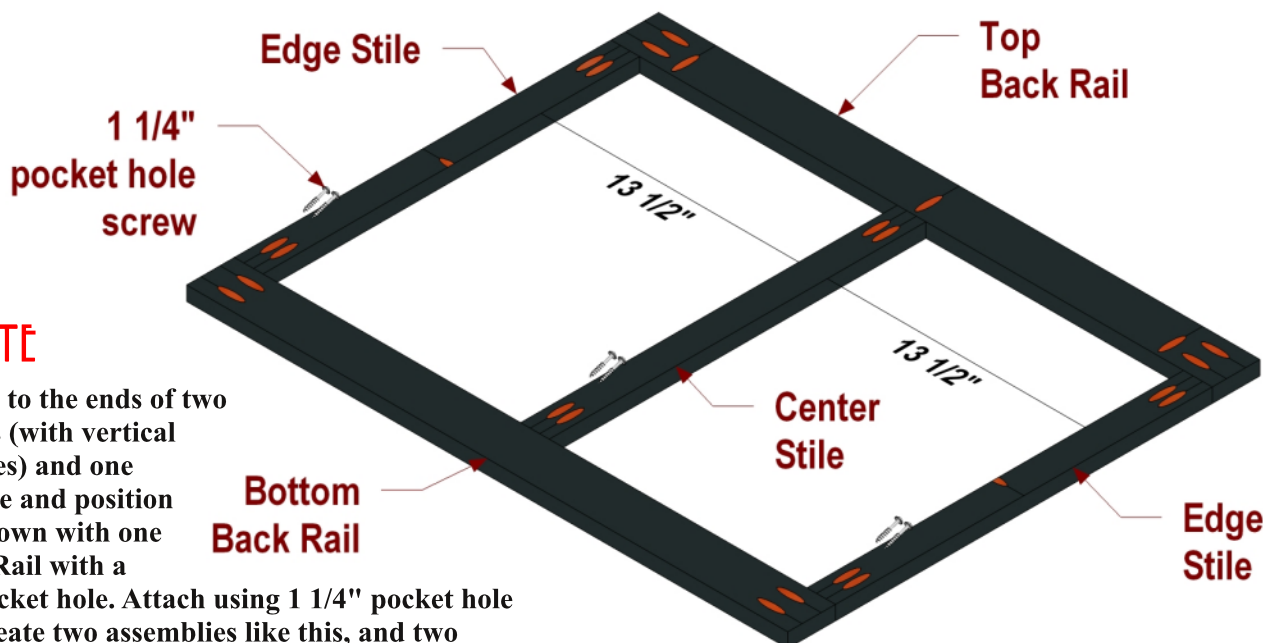
**Top Back Rail / Front Rail**



**Bottom Back Rail**



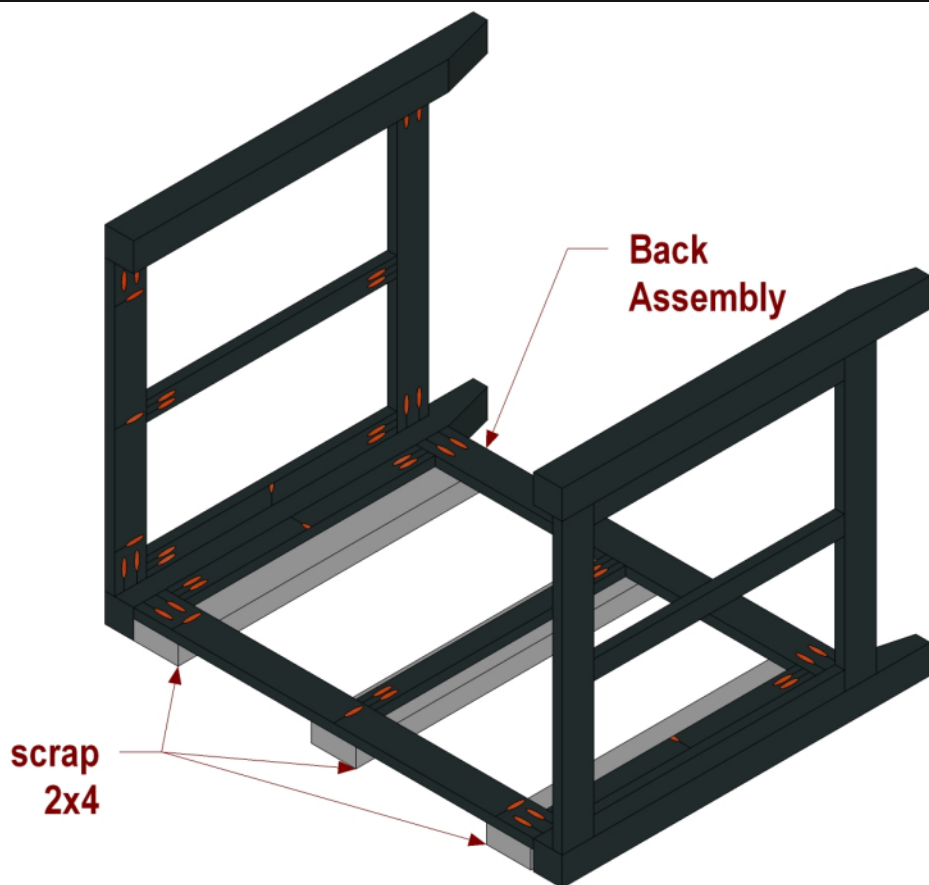
**NOTE** Use the layout for creating the Top Back Rails, Front Rail, and Bottom Back Rails. Set your Kreg Jig and drill bit for 3/4" stock. Create one Top Back Rail and one Bottom Back Rail with the pocket holes and one of each without the pocket holes.



**NOTE** Apply glue to the ends of two Edge Stiles (with vertical pocket holes) and one Center Stile and position them as shown with one Top Back Rail with a vertical pocket hole. Attach using 1 1/4" pocket hole screws. Create two assemblies like this, and two assemblies using the Top End Rails, Back End Rails, and Edge Stiles without vertical pocket holes. Use the End Assemblies with vertical pocket holes in the next step.

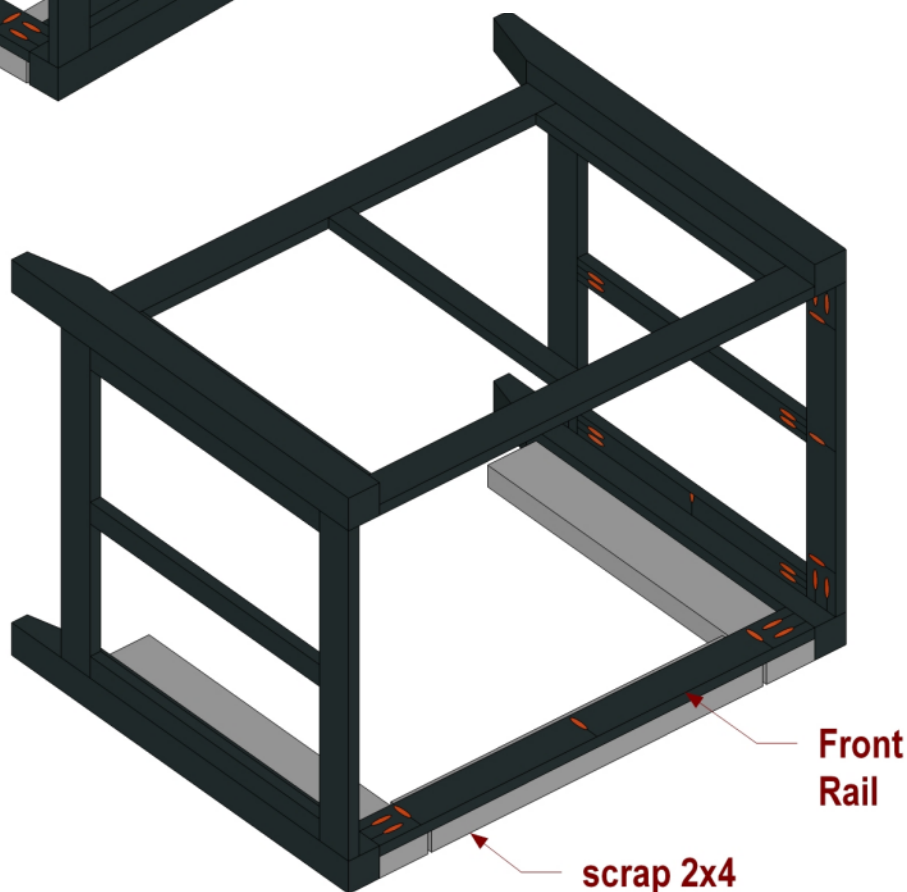
 **NOTE**

Apply glue to the edges of the Edge Stiles on the Back Assembly and position as shown at left. Attach using 1 1/4" pocket hole screws. Use scrap 2x4 as spacers as shown.

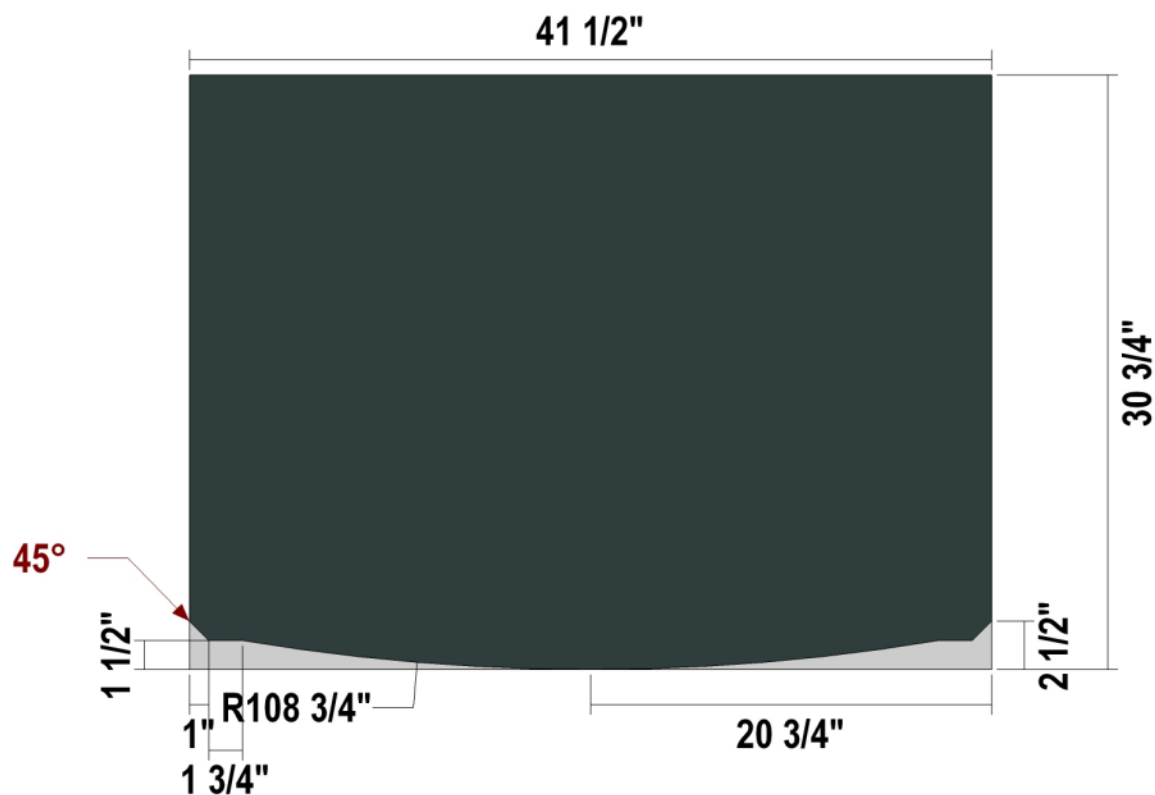


 **NOTE**

Apply glue to the ends of the Front Rail and position as shown. Attach using 1 1/4" pocket hole screws. Use scrap 2x4 as spacers as shown.

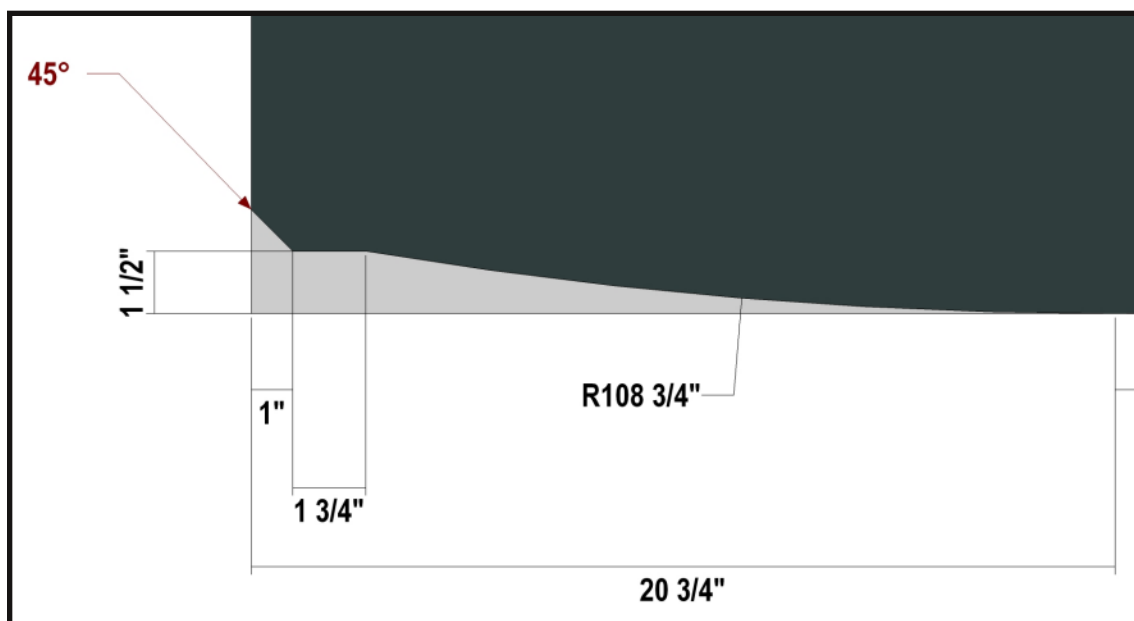


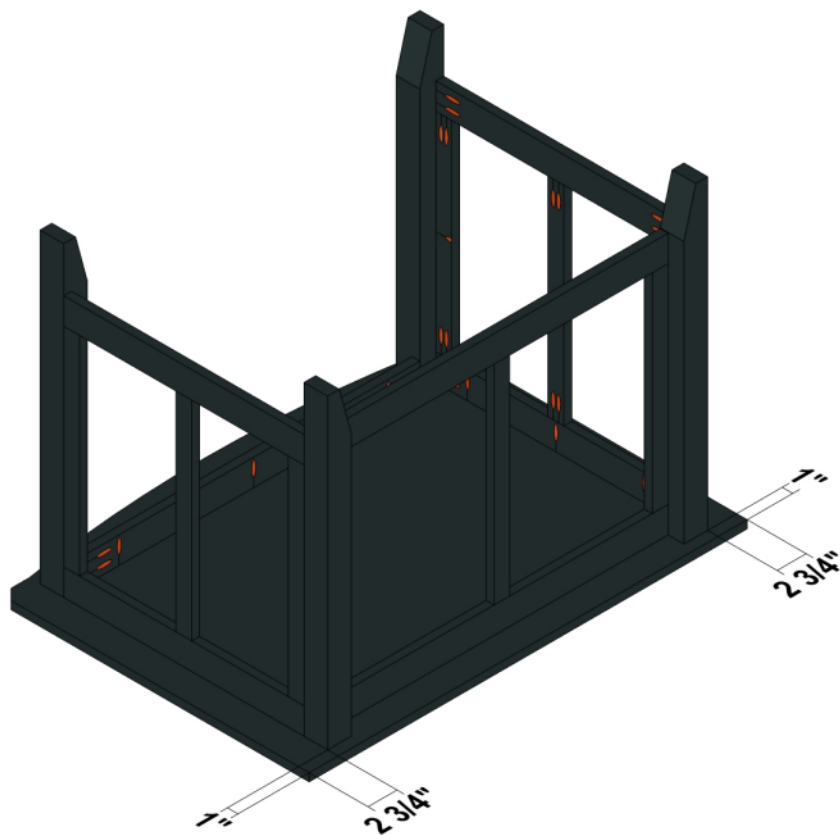




 NOTE

Use the layout as a guide for creating the Top. You can skip the detail cuts and simply leave it square. You can apply wood filler to the edges of the part prior to priming and painting, or if staining, apply matching wood veneer edge banding. You can use edge banding for either process.



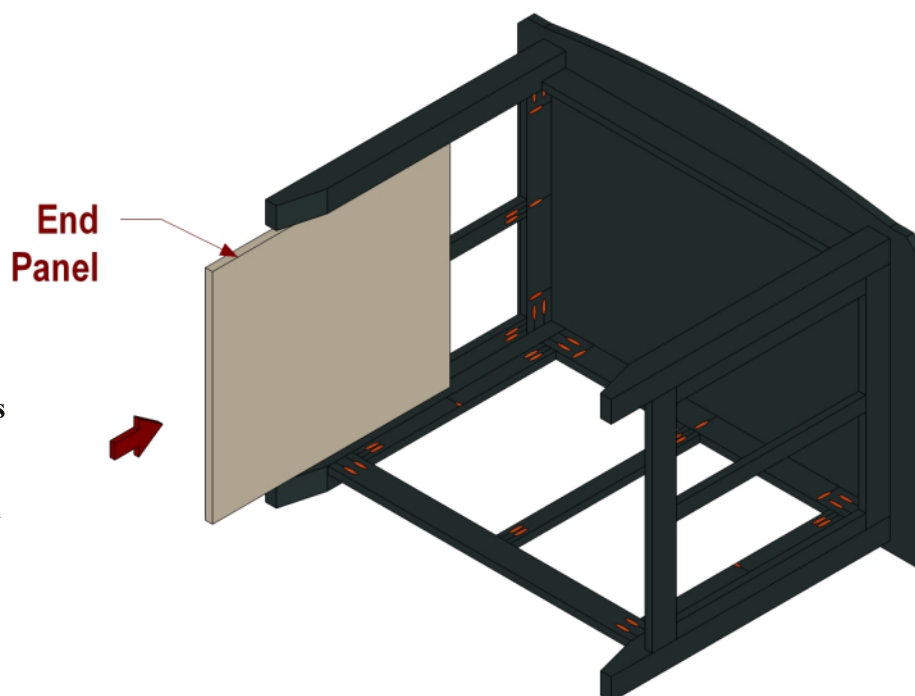


**NOTE**

Apply glue to the top edges of the End and Back Assemblies and top ends of the Legs, and position the Top as shown. Attach using 1 1/4" pocket hole screws.

**NOTE**

Apply glue to inside of the End Assemblies and insert the End Panels as shown (the narrowest width of the End Panel will fit between the Legs). Attach using 1 1/4" brads. Do this on both ends.

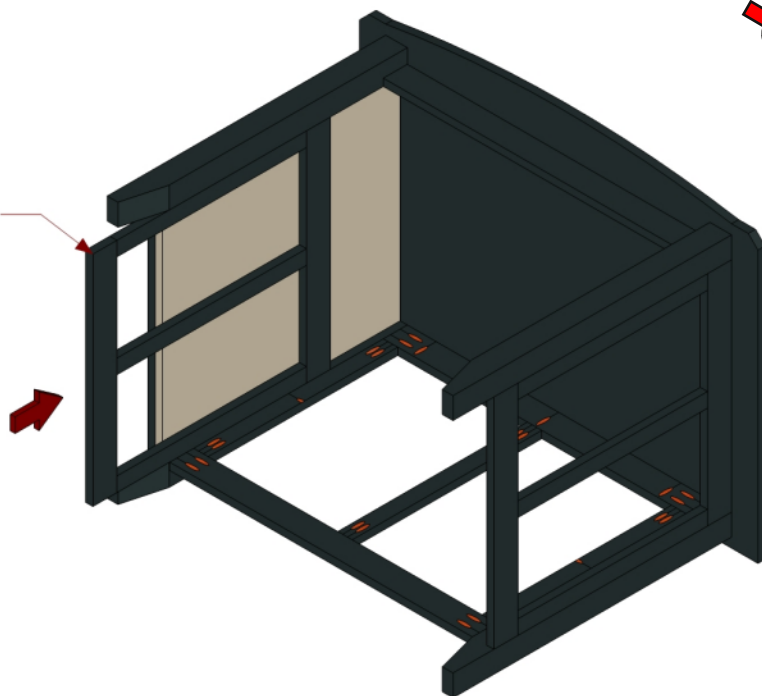




**NOTE**

Apply glue to inside of the End Assemblies that have the Top and Bottom End Rails without pocket holes and insert these assemblies as shown. Attach using 1 1/4" brads. Do this on both ends.

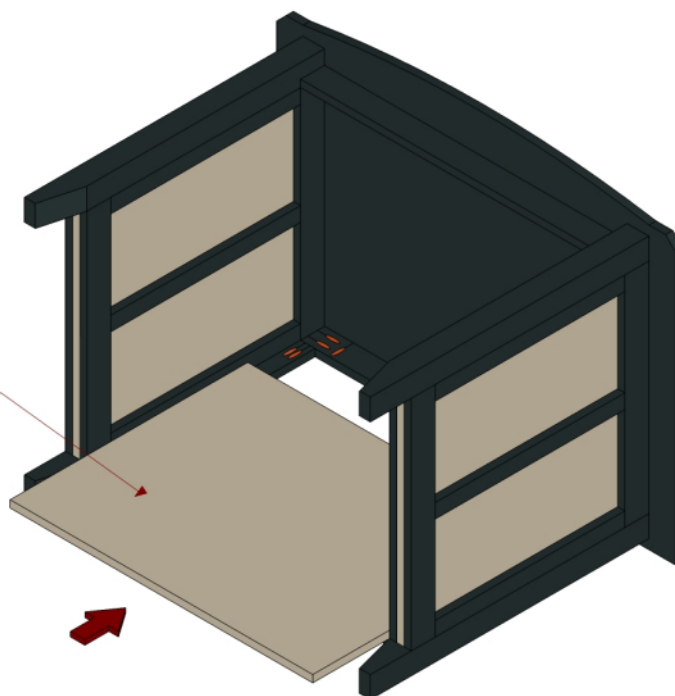
End Assembly



**NOTE**

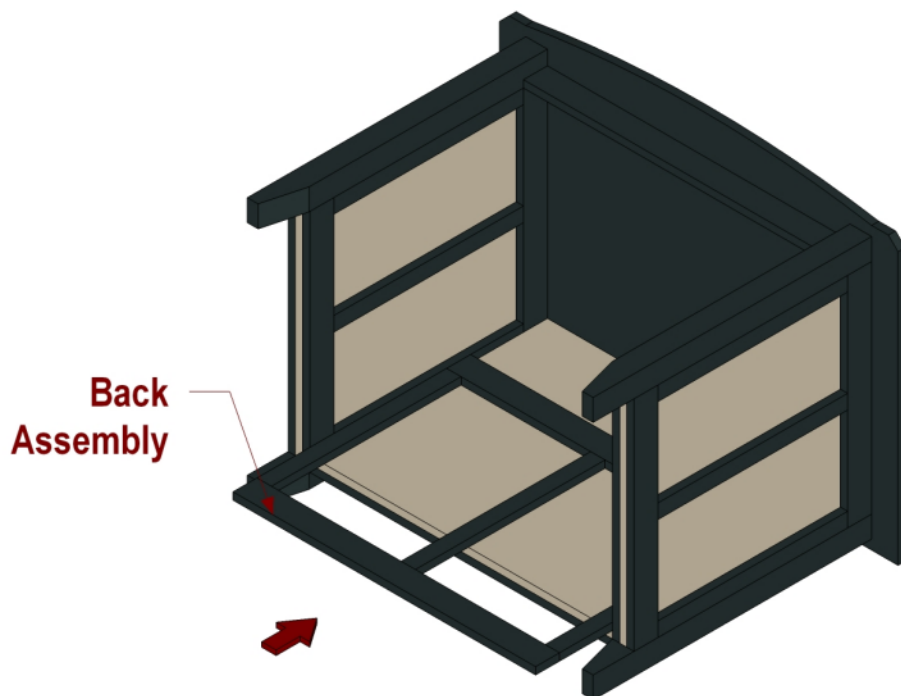
Apply glue to inside of the Back Assembly and insert the Back Panel as shown (the widest width of the Back Panel will fit between the Legs). Attach using 1 1/4" brads.

Back Panel

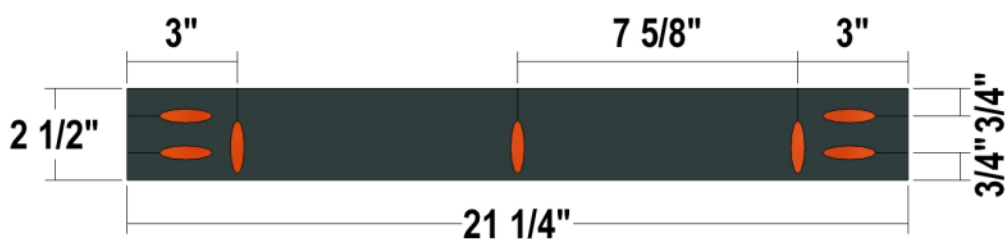


**NOTE**

Apply glue to inside of the Back Assembly that has the Top and Bottom Back Rails without pocket holes and insert this assembly as shown. Attach using 1 1/4" brads.

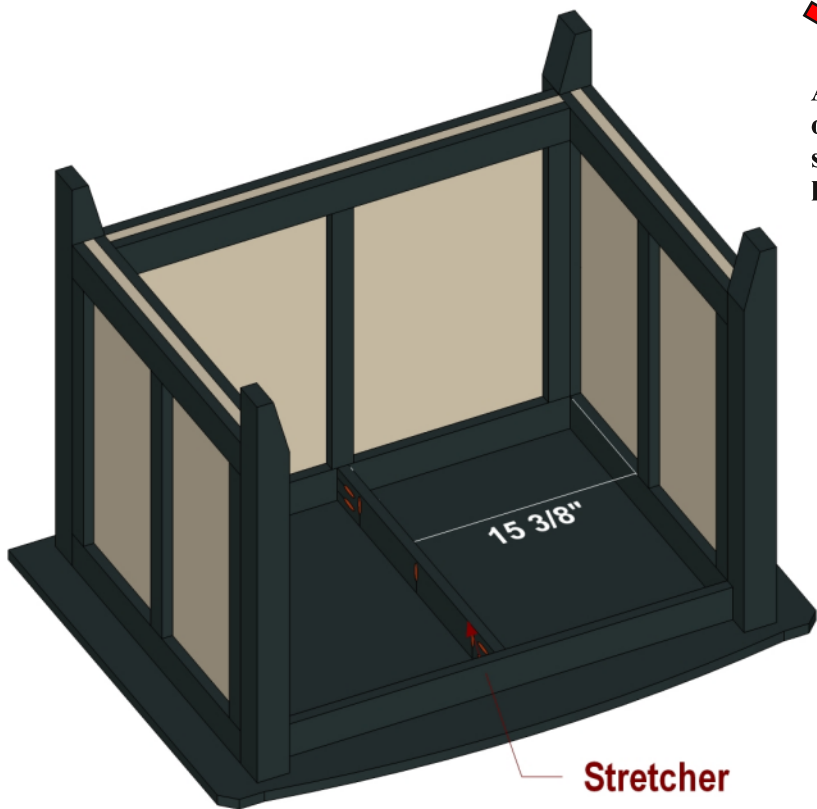


**Stretcher**



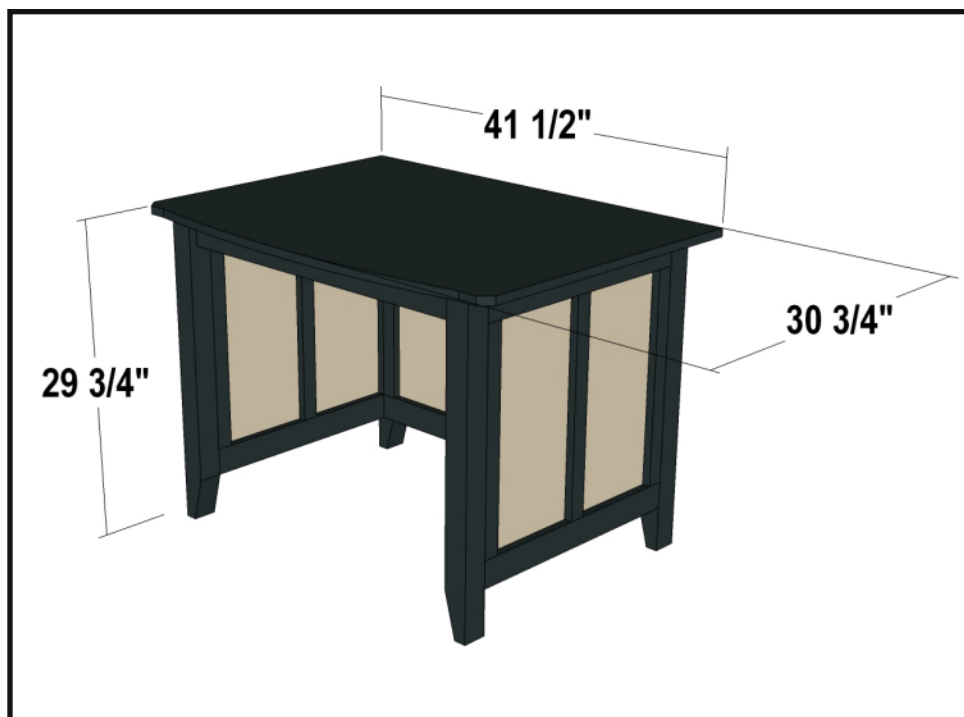
**NOTE**

Use the layout for creating the Stretcher. Set your Kreg Jig and drill bit for 3/4" stock.



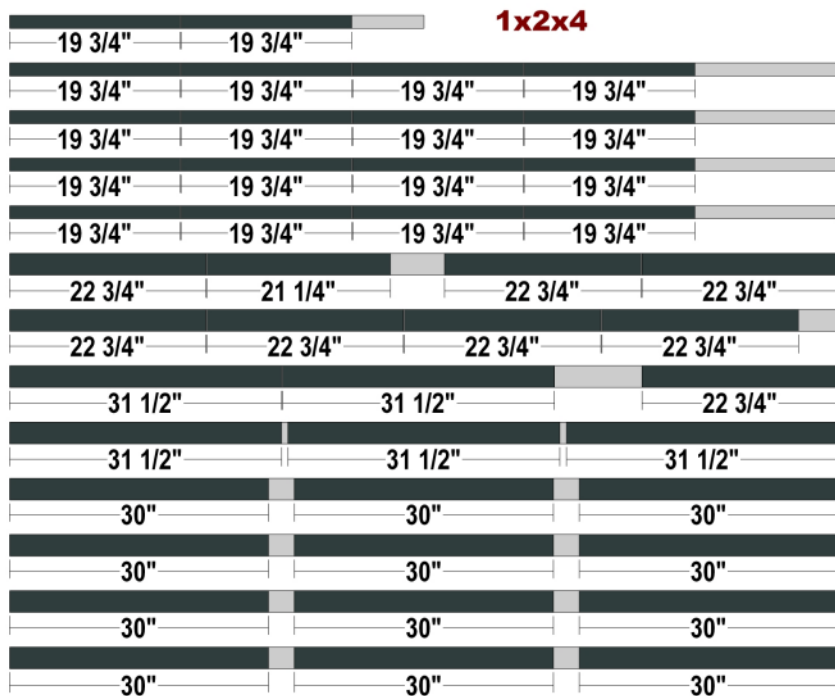
**NOTE**

Apply glue to the top edge and ends of the Stretcher, and position as shown. Attach using 1 1/4" pocket hole screws.





**CUTTING DIAGRAM**

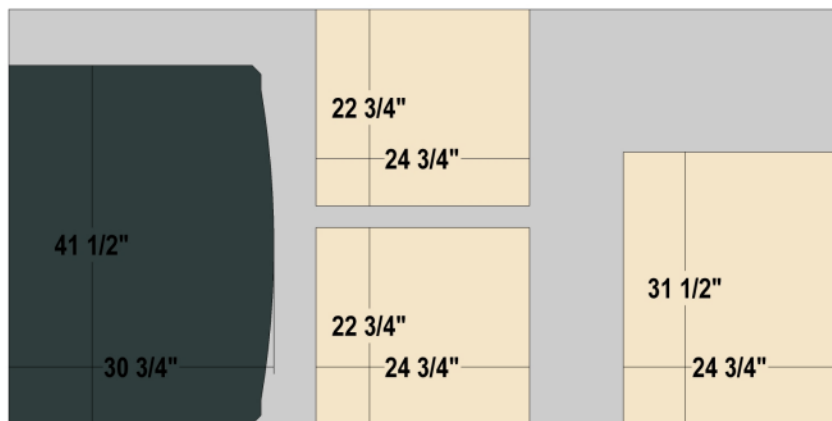


**PARTS**

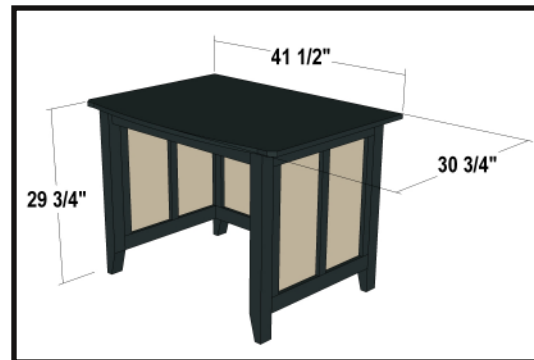
- Top End Rails (4) - 3/4 x 2 1/2 x 22 3/4
- Bottom End Rails (4) - 3/4 x 2 1/2 x 22 3/4
- Edge Stiles (12) - 3/4 x 2 1/2 x 19 3/4
- Center Stiles (6) - 3/4 x 2 1/2 x 19 3/4
- Legs (12) - 3/4 x 2 1/2 x 30
- Top Back Rails (2) - 3/4 x 2 1/2 x 31 1/2
- Bottom Back Rais (2) - 3/4 x 2 1/2 x 31 1/2
- Front Rail (1) - 3/4 x 2 1/2 x 31 1/2
- End Panels (2) - 3/4 x 22 3/4 x 24 3/4
- Back Panel (1) - 3/4 x 31 1/2 x 24 3/4
- Top (1) - 3/4 x 41 1/2 x 30 3/4
- Stretcher (1) - 3/4 x 2 1/2 x 21 1/4

*All parts are listed in actual dimensions. Refer to the Cutting Diagram on the last page of this plan as a guide for determining the specific board from which to cut the parts.*

Estimated lumber cost: starting at \$120



**3/4 x 48 x 96 sheet of plywood**



**TAKE CARE!**

*Follow ALL SAFETY GUIDELINES AND RECOMMENDATIONS provided by the manufacturers of your tools, and any chemicals such as glue and finishes you use in this project. YOU are responsible for your safety, so use common sense when working in the shop!*