

CHIEF'S SHOP PLAN OF THE WEEK



GARDEN THRONE



WHAT YOU'LL NEED



LUMBER

6 - 2 x 4 x 8
1 - 2 x 6 x 8
2 - 4 x 4 x 8

(availability will vary)

HARDWARE/SUPPLIES

2 1/2" pocket hole screws
wood glue
paint/stain/
sealer/polyurethane

TOOLS

miter saw
sander/belt sander
drill/driver
Kreg pocket hole jig
clamps
square

ABOUT THESE PLANS

On this first page you will see above the project complete. On the last page you'll find the finished outer dimensions. Be sure to read ALL of the project steps before you start.

To the right is a list of the Lumber, Hardware/Supplies, and Tools you will need to complete this project. A measuring tape and pencil are not included because that should be pretty standard and self explanatory.

Below What You'll Need is the Parts list. This also is included on the Cutting Diagram page, which is the next to last page of this plan document. Also on the Cutting Diagram page is an estimate of the cost of the lumber. This estimate doesn't include any other supplies and does not factor in sales tax.

Throughout these plans you'll find the icons below:



LAYOUT

This indicates a diagram detailing the dimensions of a project part and/or the placement for pocket holes, screws, nails, etc.



NOTE

Notes are the instructions for a particular step/section of the project.



TAKE CARE!

This indicates when to pay close attention to the diagrams, take precautions for safety, etc.



MORE PLANS

Want more Chief's Shop plans? Visit chiefs-shop.com and look through the Plans section.

Be sure to "Like" Chief's Shop on facebook by heading over to [facebook.com/ChiefsShop](https://www.facebook.com/ChiefsShop).



PARTS

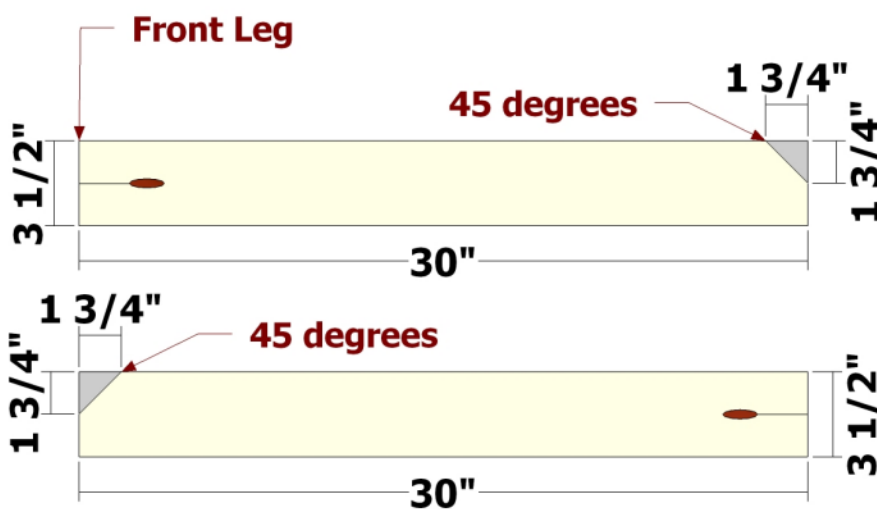
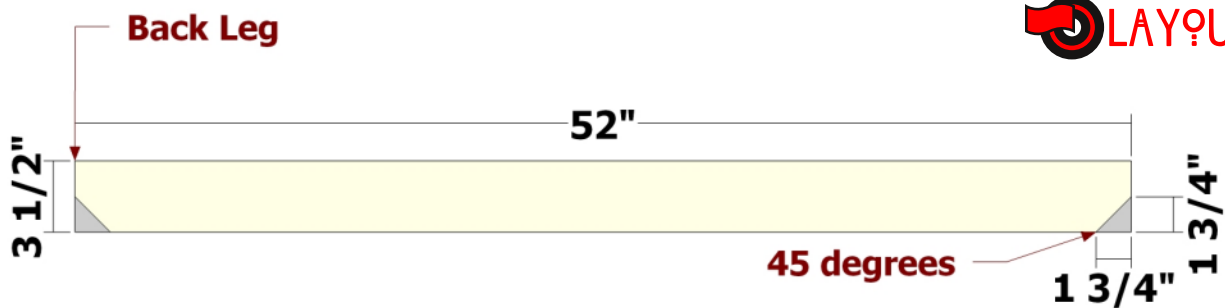


Back Legs (2) - 3 1/2 x 3 1/2 x 52
Front Legs (2) - 3 1/2 x 3 1/2 x 30
Arm Rails (2) - 1 1/2 x 3 1/2 x 22
End Rails (2) - 1 1/2 x 3 1/2 x 22
Side Rails (2) - 1 1/2 x 3 1/2 x 28
Stretcher (1) - 1 1/2 x 3 1/2 x 24
Top Back Slat (1) - 1 1/2 x 5 1/2 x 28
Back Slats (4) - 1 1/2 x 3 1/2 x 28
Arm Rests (2) - 1 1/2 x 5 1/2 x 27
Inner Seat Slats (5) - 1 1/2 x 3 1/2 x 35
Outer Seat Slats (2) - 1 1/2 x 3 1/2 x 27 3/4

All parts are listed in actual dimensions. Refer to the Cutting Diagram on the last page of this plan as a guide for determining the specific board from which to cut the parts.

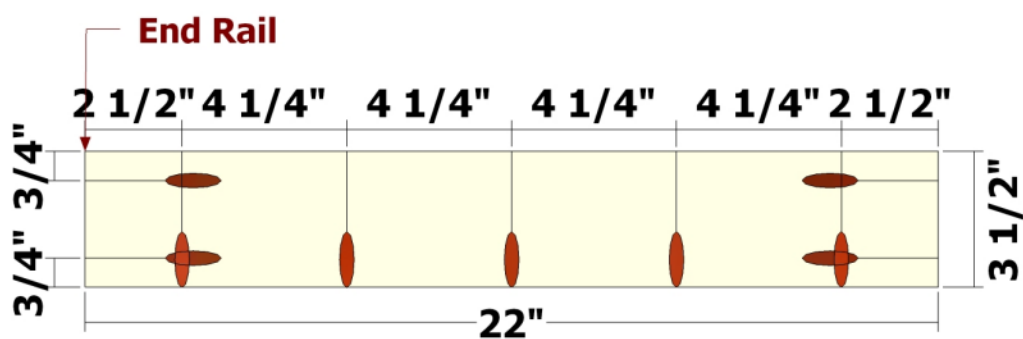
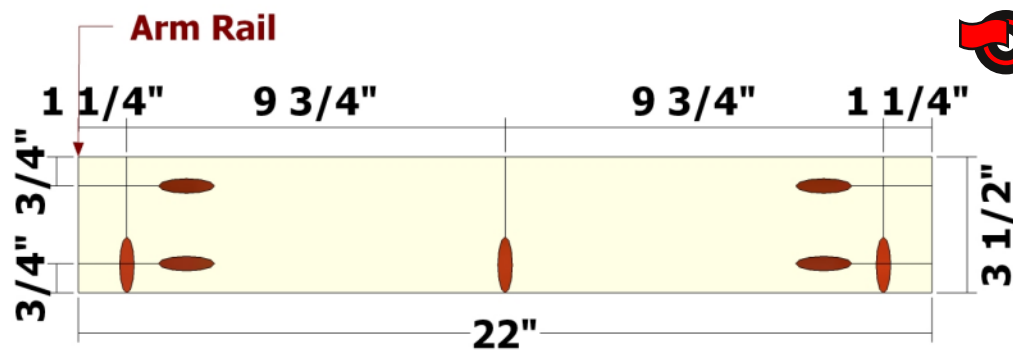
VIDEO

Check out Chief's Shop Videos on YouTube. ([click here](#))



NOTE

Use the layouts for creating the Front Legs and Back Legs. **Set your Kreg Jig and drill bit for 1 1/2" stock for the pocket holes on the Front Legs (you'll be driving 2 1/2" pocket hole screws into 1 1/2" stock later).**

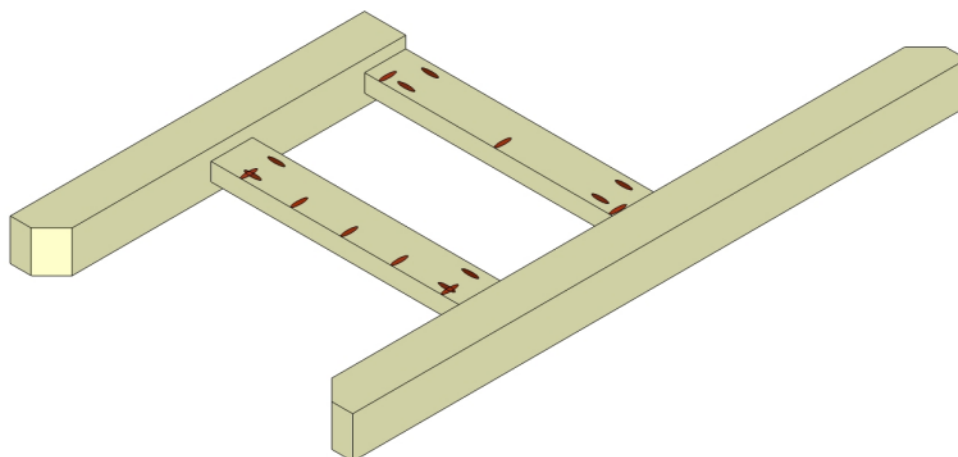
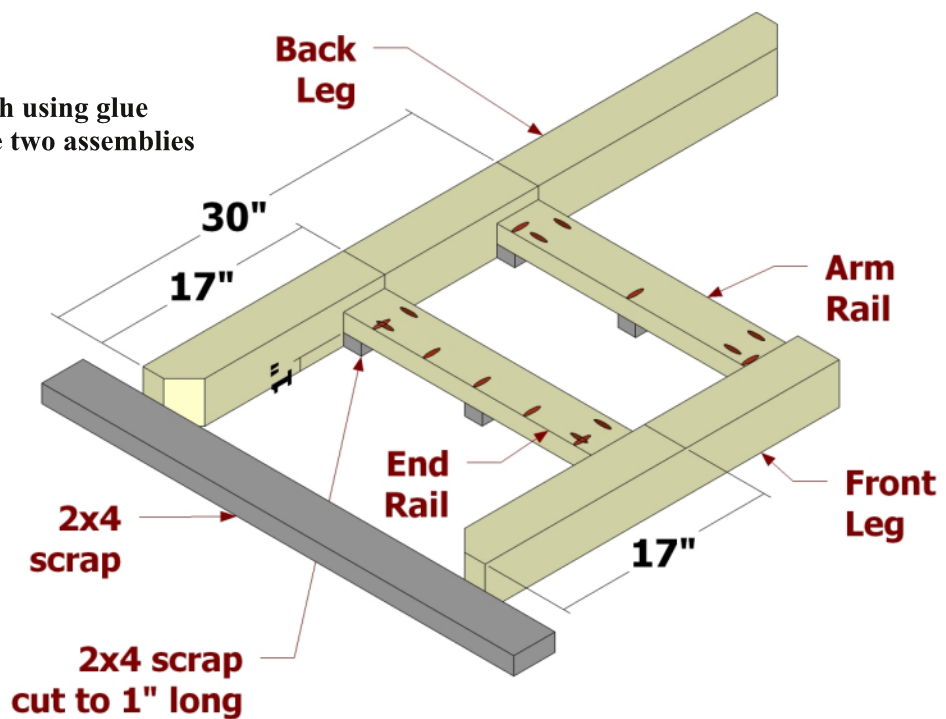


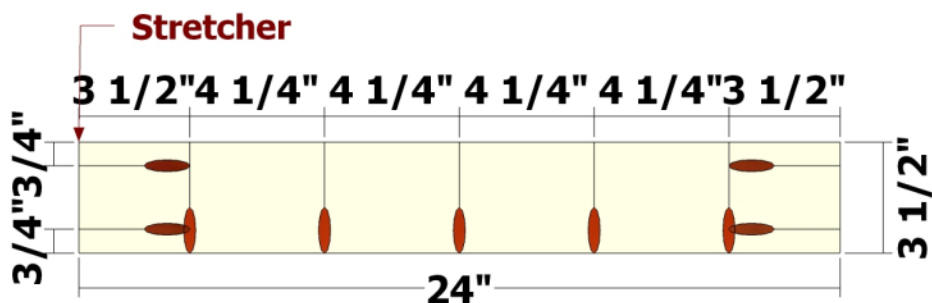
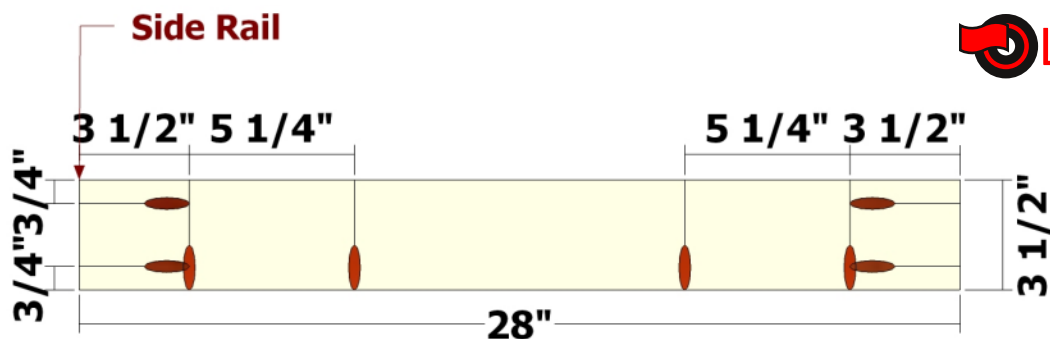
 NOTE

Use the layouts for creating the Arm Rails and End Rails. **Set your Kreg Jig and drill bit for 1 1/2" stock for all pocket holes on both parts. Create two of each.**

NOTE

Position the parts as shown and attach using glue and 2 1/2" pocket hole screws. Create two assemblies as shown.

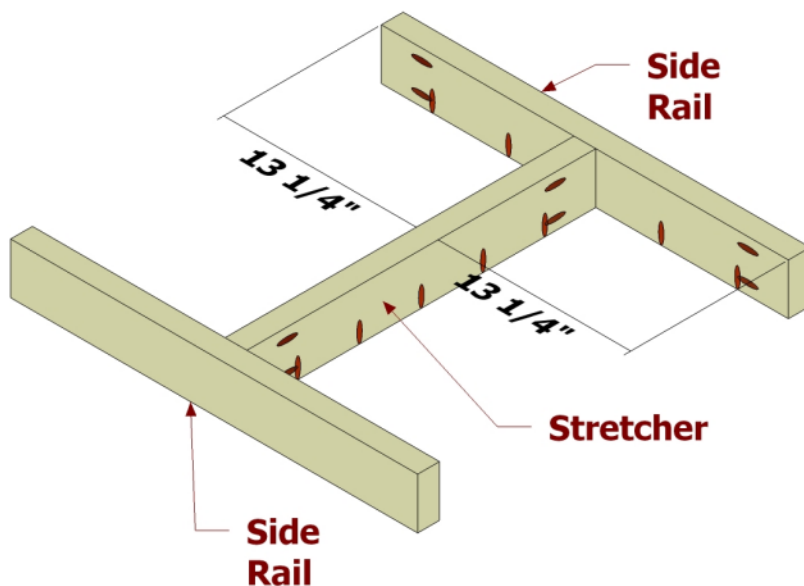




Use the layouts for creating the Side Rails and Stretcher. Set your Kreg Jig and drill bit for 1 1/2" stock for all pocket holes.

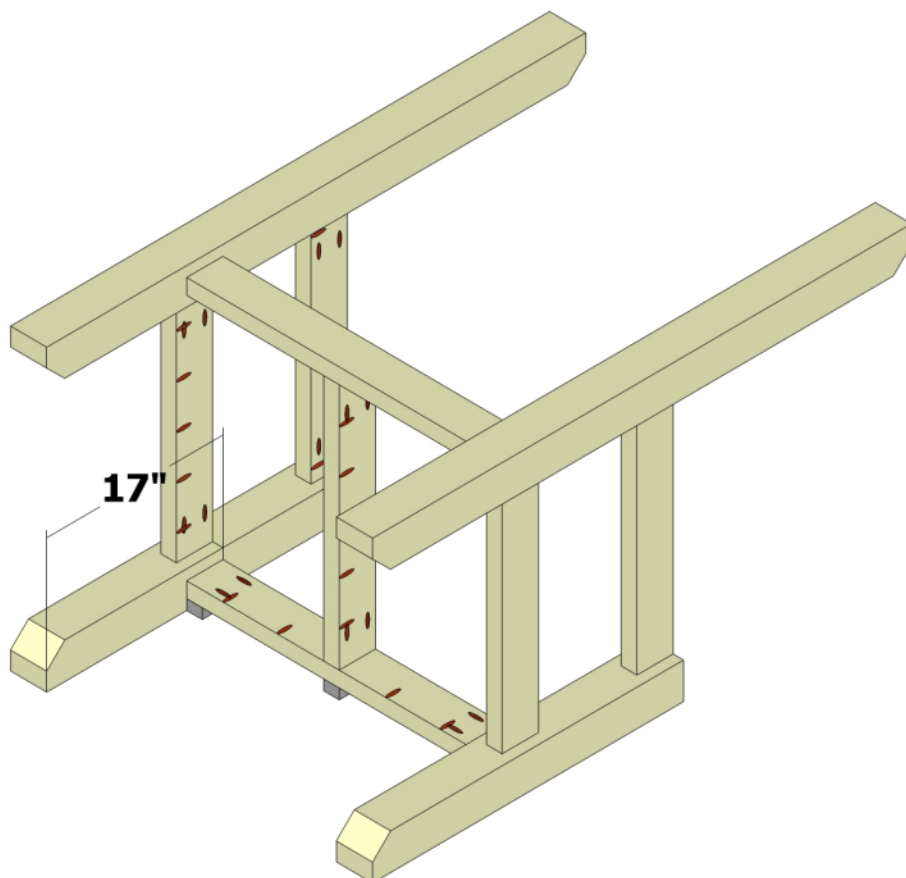
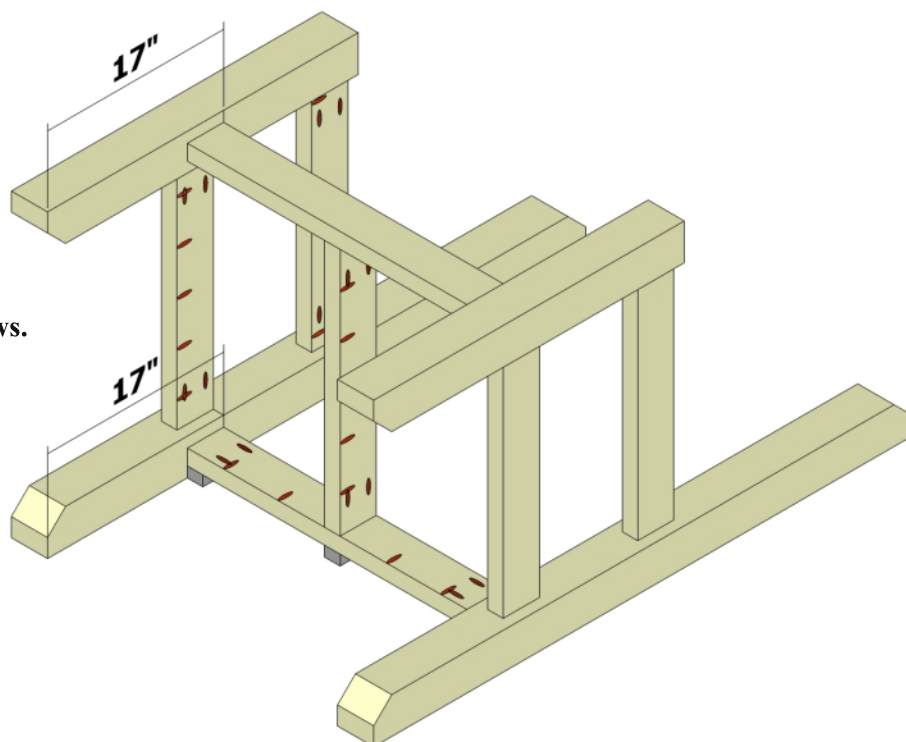


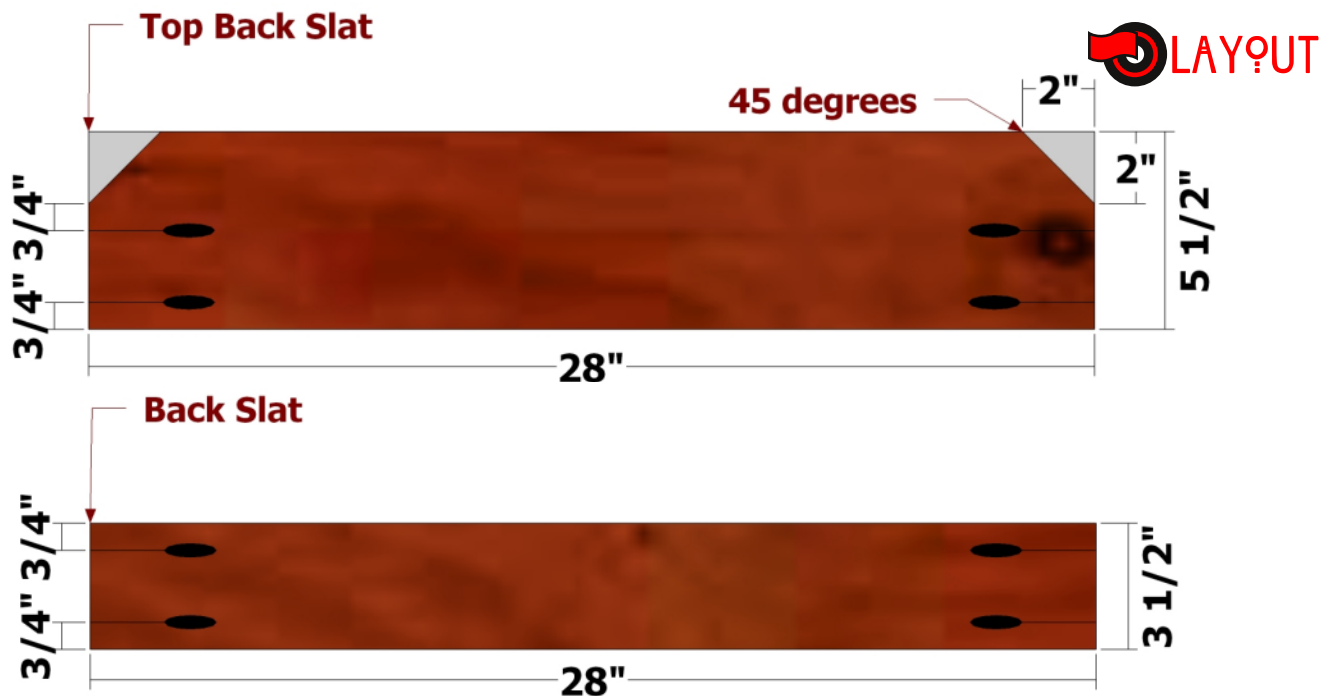
Position the parts as shown and attach using glue and 2 1/2" pocket hole screws.



 NOTE

Position the parts as shown and attach using glue and 2 1/2" pocket hole screws.

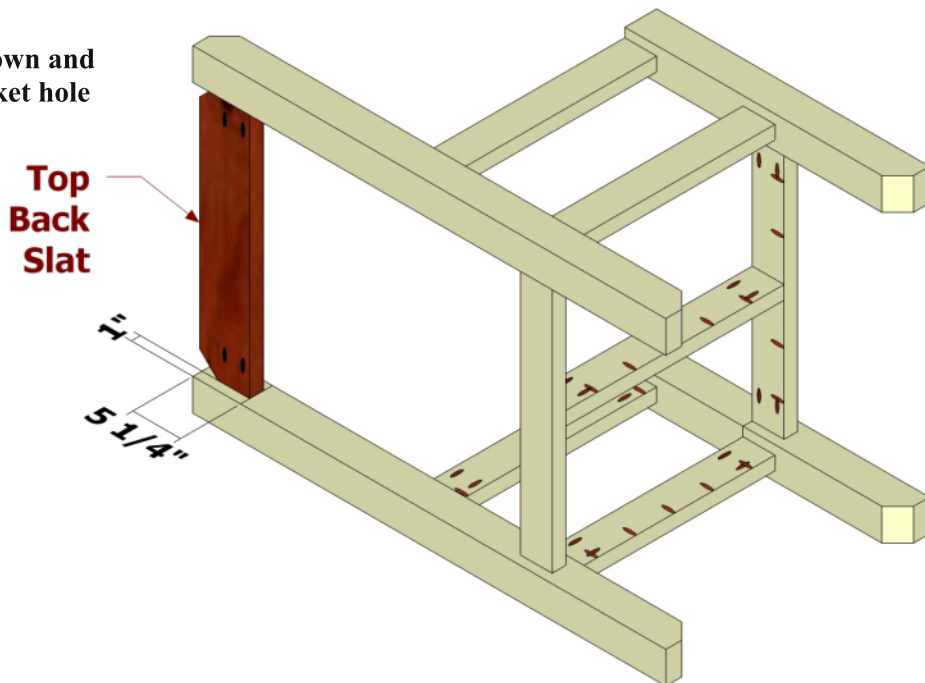




NOTE Use the layouts for creating the Top Back Slat and Back slats. Set your Kreg Jig and drill bit for 1 1/2" stock for all pocket holes.

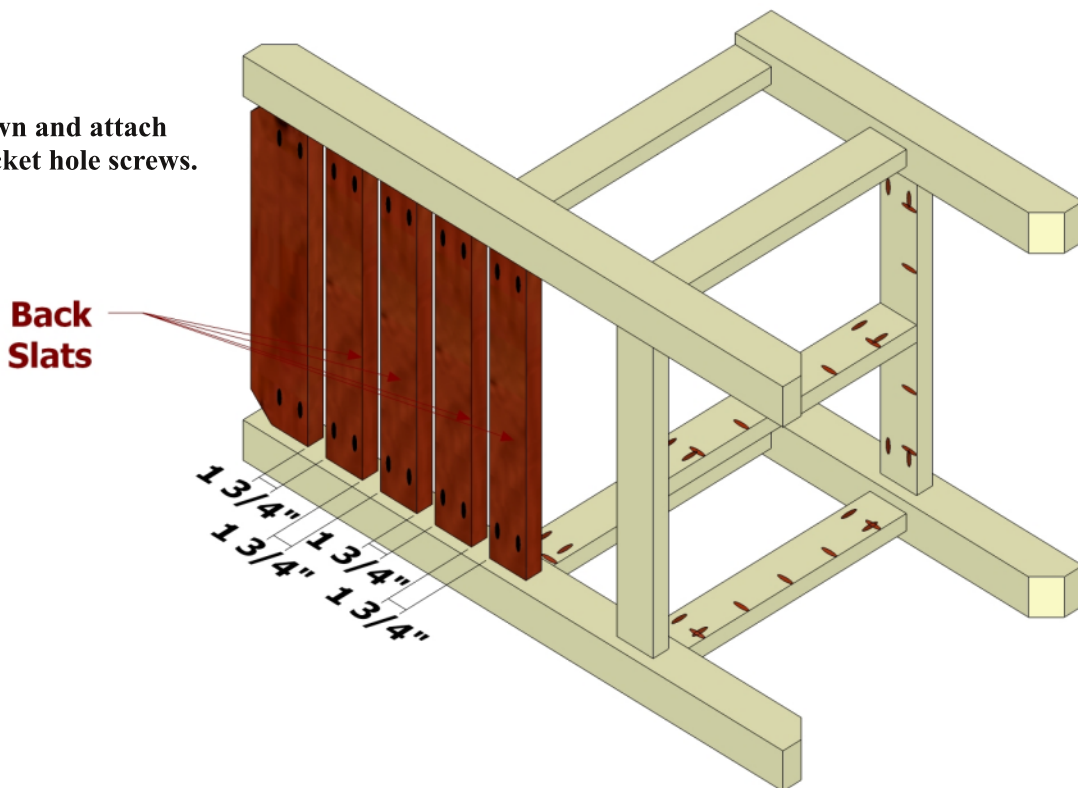
NOTE

Position the Top Back Slat as shown and attach using glue and 2 1/2" pocket hole screws.



NOTE

Position the parts as shown and attach using glue and 2 1/2" pocket hole screws.

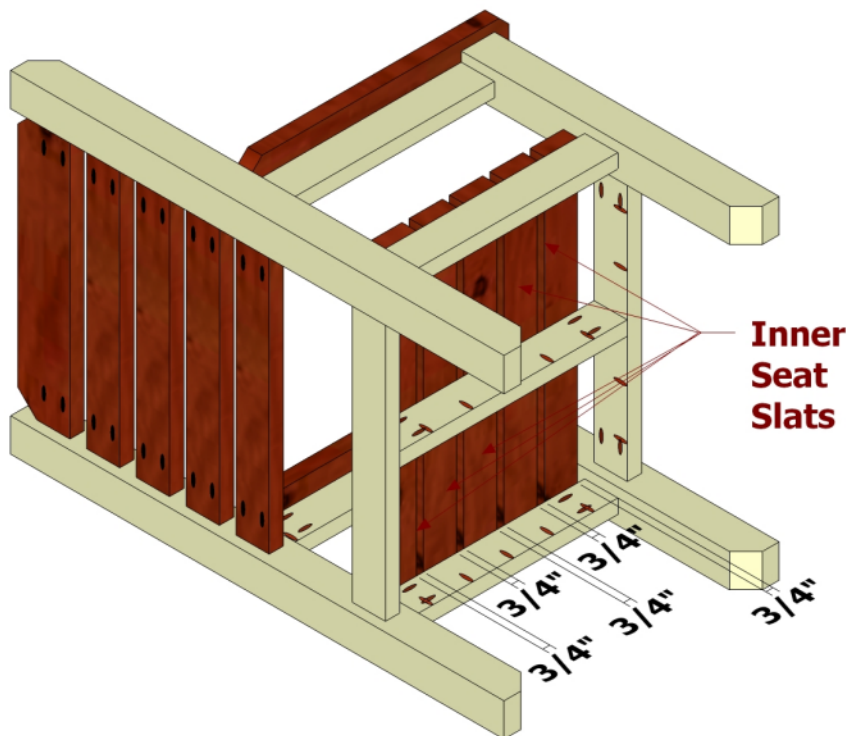
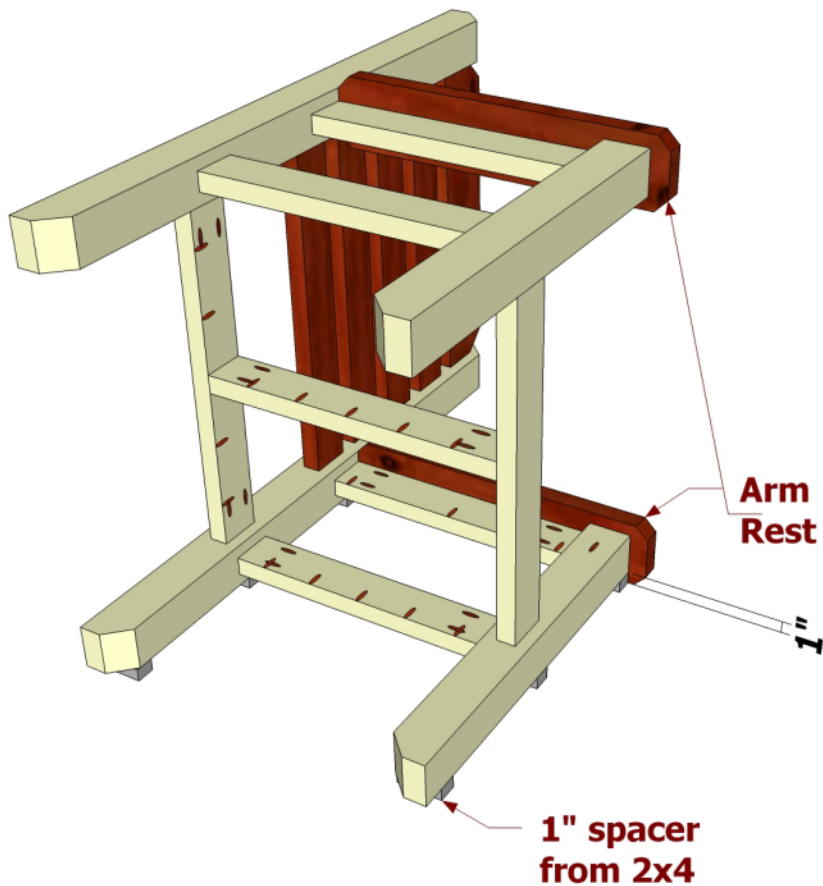


NOTE

Use the layout for creating the Arm Rest.

NOTE

Position the parts as shown and attach using glue and 2 1/2" pocket hole screws.

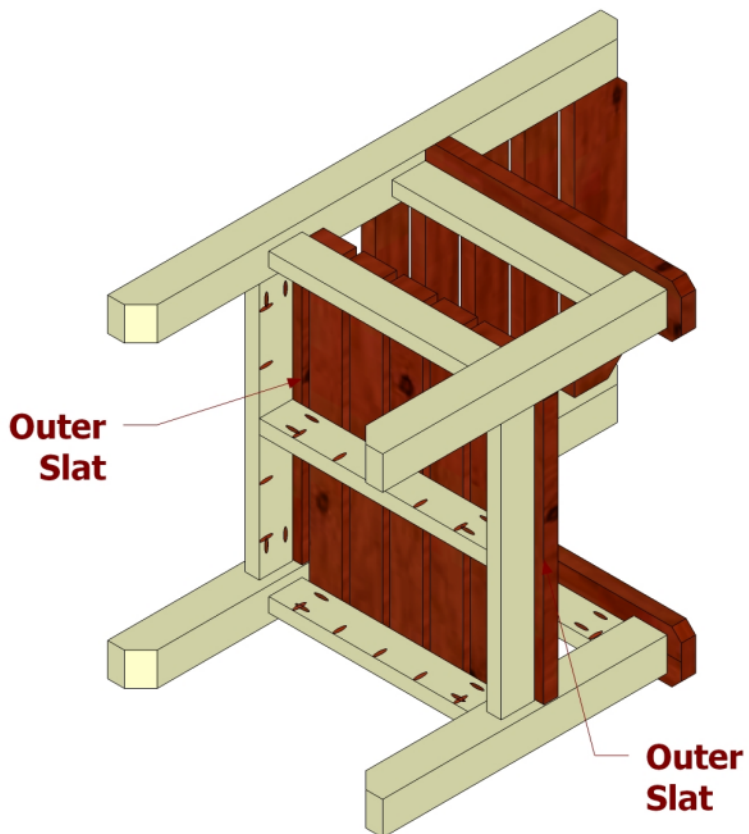
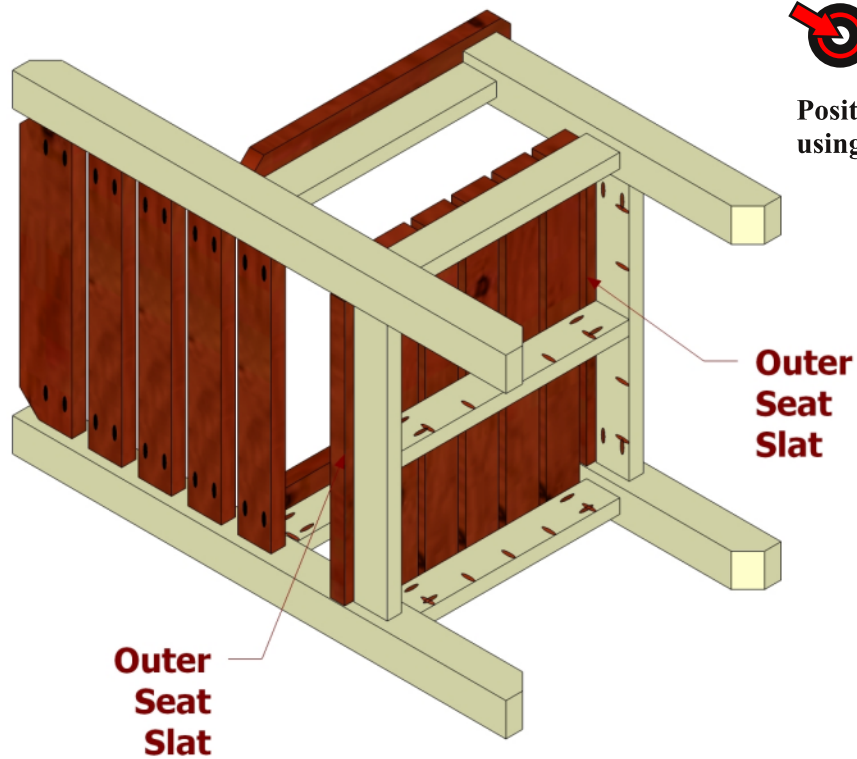


NOTE

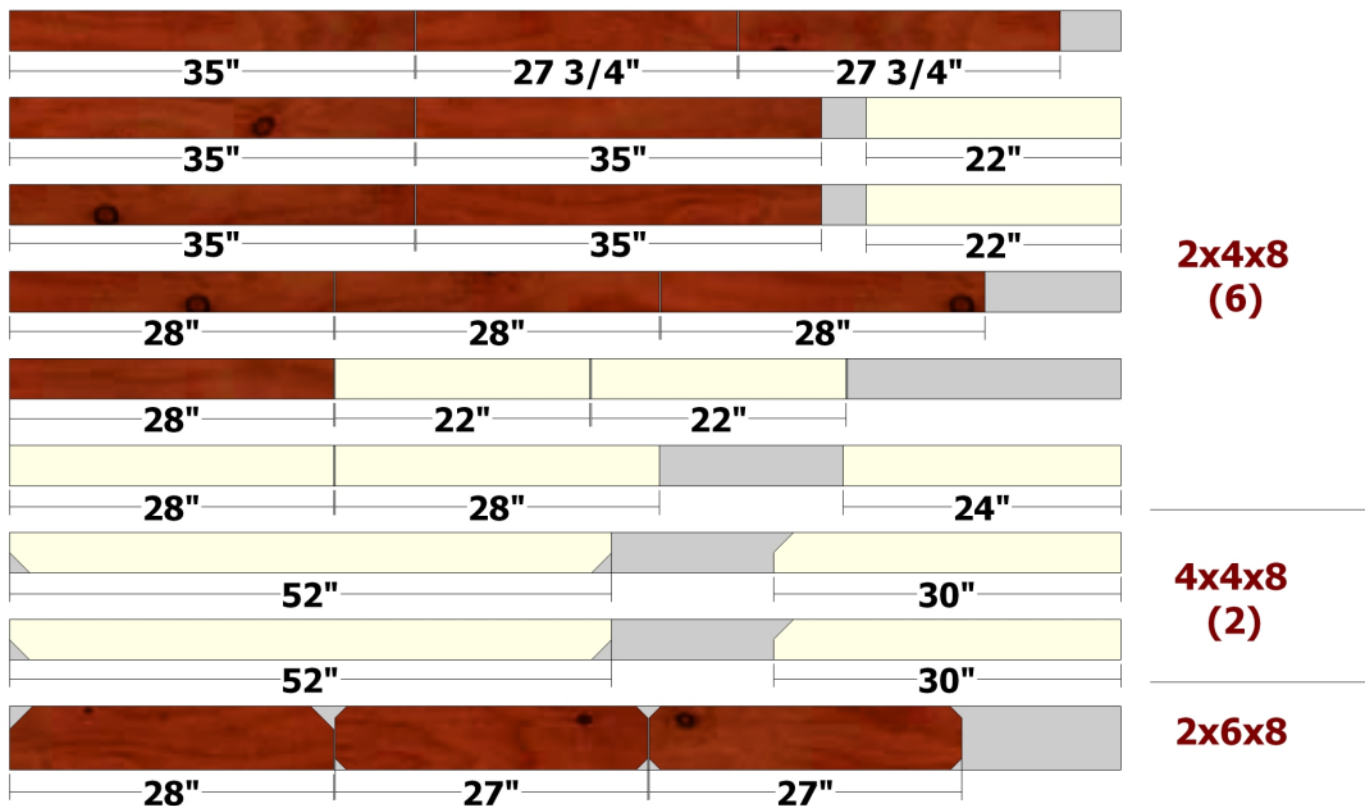
Position the parts as shown and attach using glue and 2 1/2" pocket hole screws.

 **NOTE**

Position the parts as shown and attach using glue and 2 1/2" pocket hole screws.



 **CUTTING DIAGRAM**



**2x4x8
(6)**

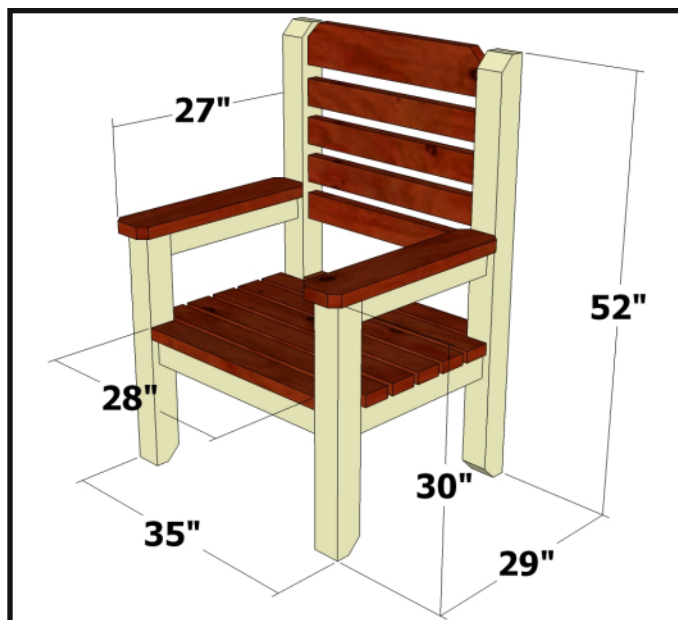
**4x4x8
(2)**

2x6x8

🔧 PARTS 🔧

- Back Legs (2) - 3 1/2 x 3 1/2 x 52
- Front Legs (2) - 3 1/2 x 3 1/2 x 30
- Arm Rails (2) - 1 1/2 x 3 1/2 x 22
- End Rails (2) - 1 1/2 x 3 1/2 x 22
- Side Rails (2) - 1 1/2 x 3 1/2 x 28
- Stretcher (1) - 1 1/2 x 3 1/2 x 24
- Top Back Slat (1) - 1 1/2 x 5 1/2 x 28
- Back Slats (4) - 1 1/2 x 3 1/2 x 28
- Arm Rests (2) - 1 1/2 x 5 1/2 x 27
- Inner Seat Slats (5) - 1 1/2 x 3 1/2 x 35
- Outer Seat Slats (2) - 1 1/2 x 3 1/2 x 27 3/4

All parts are listed in actual dimensions. Refer to the Cutting Diagram on the last page of this plan as a guide for determining the specific board from which to cut the parts.



🔧 TAKE CARE!

Follow ALL SAFETY GUIDELINES AND RECOMMENDATIONS provided by the manufacturers of your tools, and any chemicals such as glue and finishes you use in this project. YOU are responsible for your safety, so use common sense when working in the shop!