

# CHIEF'S SHOP PLAN OF THE WEEK



## SIMPLE WOODWORKING: GARDEN STOOL



### WHAT YOU'LL NEED



#### LUMBER

3 - 1 x 3 x 8  
2 - 1 x 4 x 8  
3 - 2 x 4 x 8

*(availability will vary)*

#### HARDWARE/SUPPLIES

2 1/2" pocket hole screws  
1 1/4" pocket hole screws  
1 1/4" deck screws  
or 1 1/4" galvanized brads  
wood glue  
paint, stain, polyurethane,  
or sealer

#### TOOLS

miter saw  
jig saw  
compass  
sander/belt sander  
drill/driver  
Kreg pocket hole jig  
clamps  
square

### ABOUT THESE PLANS

On this first page you will see above the project complete. On the [last page](#) you'll find the finished outer dimensions. Be sure to read ALL of the project steps before you start.

To the right is a list of the Lumber, Hardware/Supplies, and Tools you will need to complete this project. A measuring tape and pencil are not included because that should be pretty standard and self explanatory.

Below What You'll Need is the Parts list. This also is included on the [Cutting Diagram](#) page, which is the next to last page of this plan document. Also on the [Cutting Diagram](#) page is an estimate of the cost of the lumber. This estimate doesn't include any other supplies and does not factor in sales tax.

Throughout these plans you'll find the icons below:



### LAYOUT

This indicates a diagram detailing the dimensions of a project part and/or the placement for pocket holes, screws, nails, etc.



### NOTE

Notes are the instructions for a particular step/section of the project.



### TAKE CARE!

This indicates when to pay close attention to the diagrams, take precautions for safety, etc.



### MORE PLANS

Want more Chief's Shop plans? Visit [chiefs-shop.com](http://chiefs-shop.com) and look through the Plans section.

Be sure to "Like" Chief's Shop on facebook by heading over to [facebook.com/ChiefsShop](https://www.facebook.com/ChiefsShop).

### PARTS

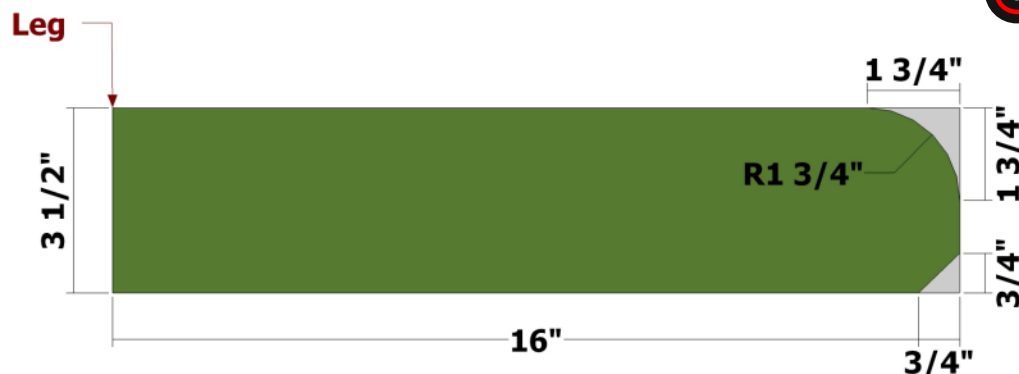
Legs (4) - 1 1/2 x 3 1/2 x 16  
End Rails (4) - 1 1/2 x 3 1/2 x 14  
Top Stretcher (1) - 3/4 x 2 1/2 x 21  
Side Rails (4) - 1 1/2 x 3 1/2 x 21  
Bottom Stretcher (1) - 1 1/2 x 3 1/2 x 18  
Short Bottom Slats (2) - 3/4 x 3 1/2 x 20 7/8  
Long Bottom Slats (3) - 3/4 x 3 1/2 x 24  
Top Slats (8) - 3/4 x 2 1/2 x 17 7/8

*All parts are listed in actual dimensions. Refer to the Cutting Diagram on the last page of this plan as a guide for determining the specific board from which to cut the parts.*

### VIDEO

Check out Chief's Shop Videos on YouTube. ([click here](#))

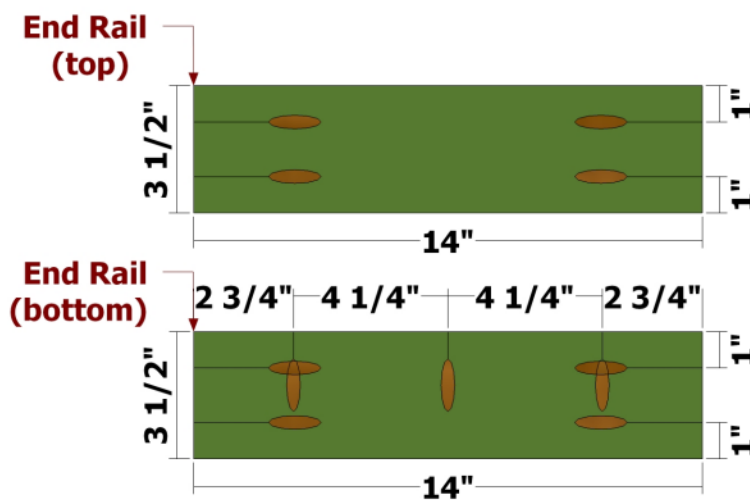
 LAYOUT



 NOTE

Use the layout above for creating the Legs. Make four.

 LAYOUT

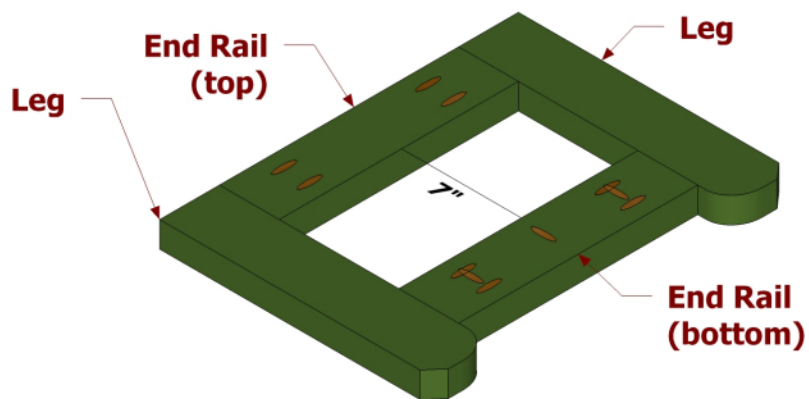


 NOTE

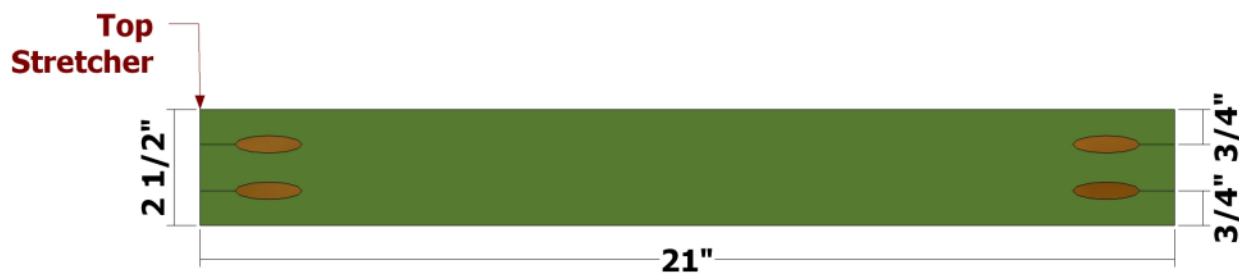
Use the layouts above for creating the End Rails. Make two of each layout. Set your Kreg Jig and drill bit for 1 1/2" stock for the pocket holes on the ends (horizontal), and for 3/4" stock for the vertical holes.

**NOTE**

Position the parts as shown and attach using glue and 2 1/2" pocket hole screws. Create two assemblies.

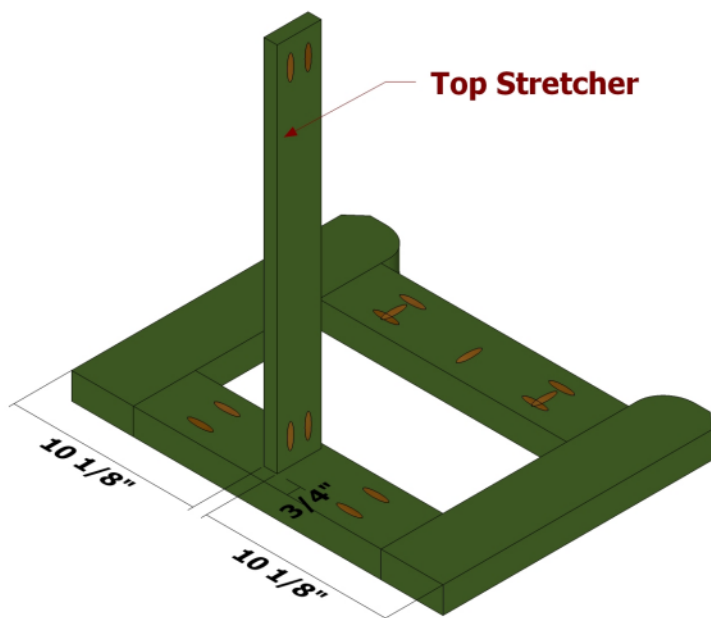


**LAYOUT**



**NOTE**

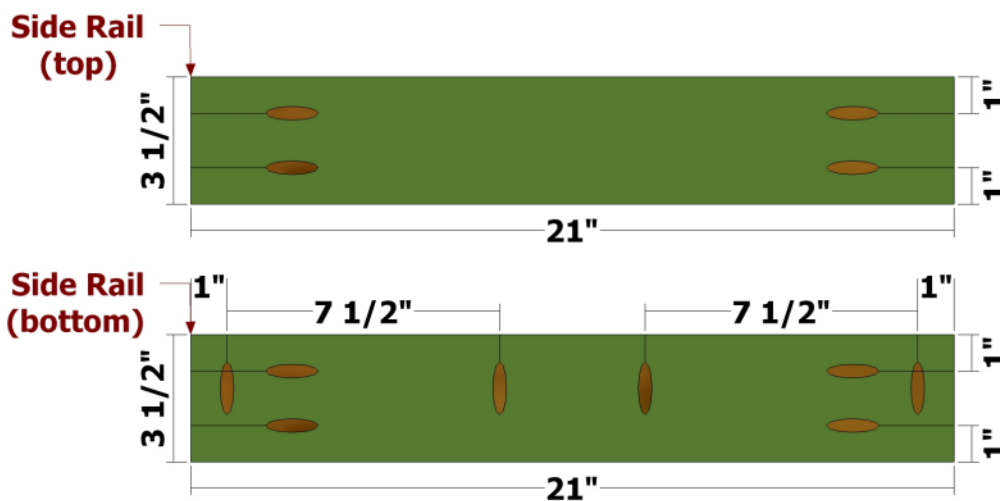
Use the layout above for creating the Top Stretcher. Set your Kreg Jig and drill bit for 3/4" stock for the pocket holes.



**NOTE**

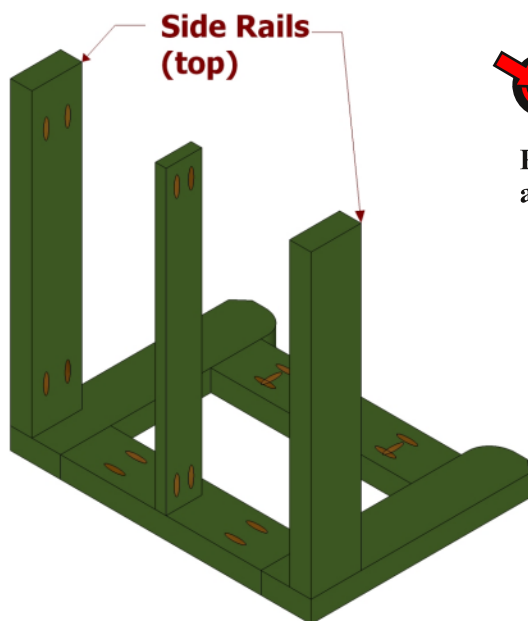
Position the Top Stretcher as shown (centered on the top End Rail and 3/4" from the top edge) and attach using glue and 1 1/4" pocket hole screws.

**LAYOUT**

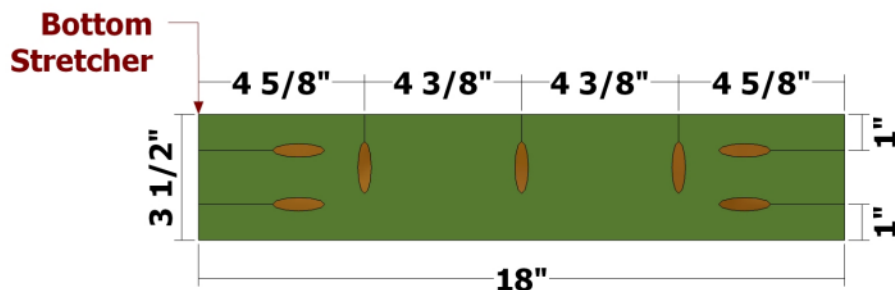


**NOTE**

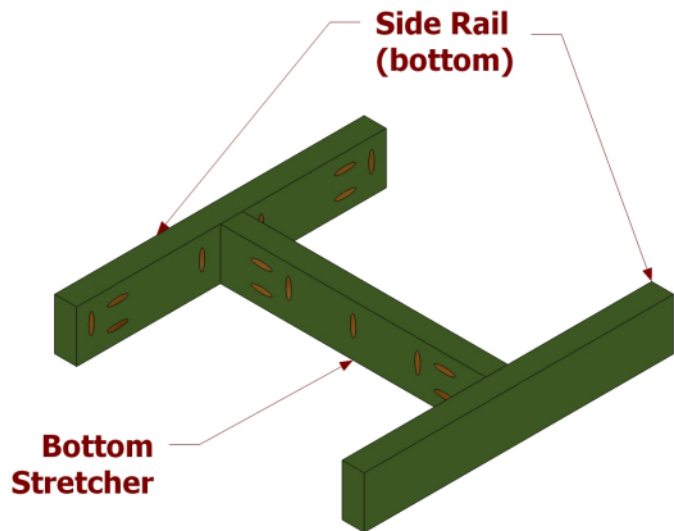
Use the layouts above for creating the Side Rails. Make two of each layout. Set your Kreg Jig and drill bit for 1 1/2" stock for the pocket holes on the ends (horizontal), and for 3/4" stock for the vertical holes.



Position the Side Rails as shown and attach using glue and 2 1/2" pocket hole screws.



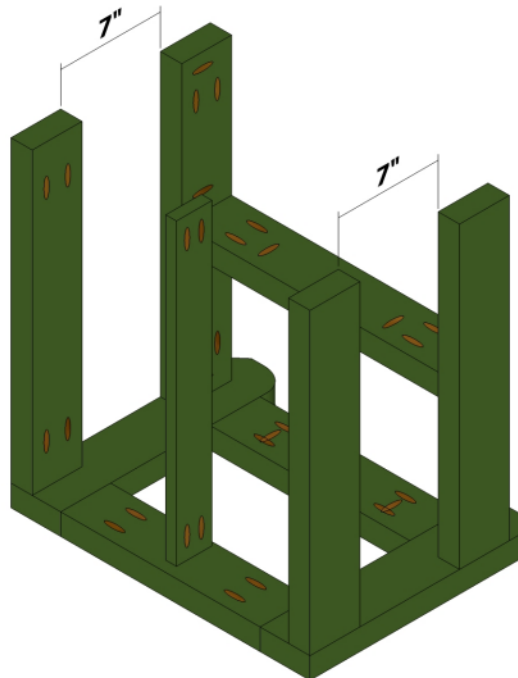
Use the layout above for creating the Bottom Stretcher. Set your Kreg Jig and drill bit for 1 1/2" stock for the pocket holes on the ends (horizontal), and for 3/4" stock for the vertical holes.

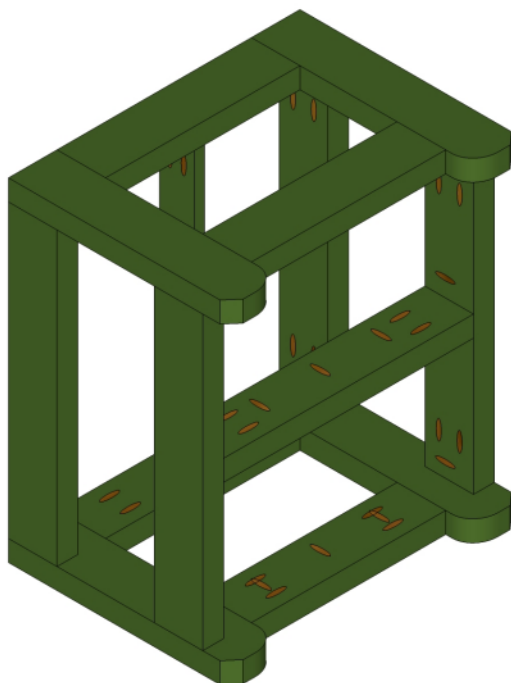


Position the Bottom Stretcher centered between the two bottom Side Rails as shown and attach using glue and 2 1/2" pocket hole screws.



Position the Bottom Stretcher/bottom Side Rail Assembly as shown and attach using glue and 2 1/2" pocket hole screws.



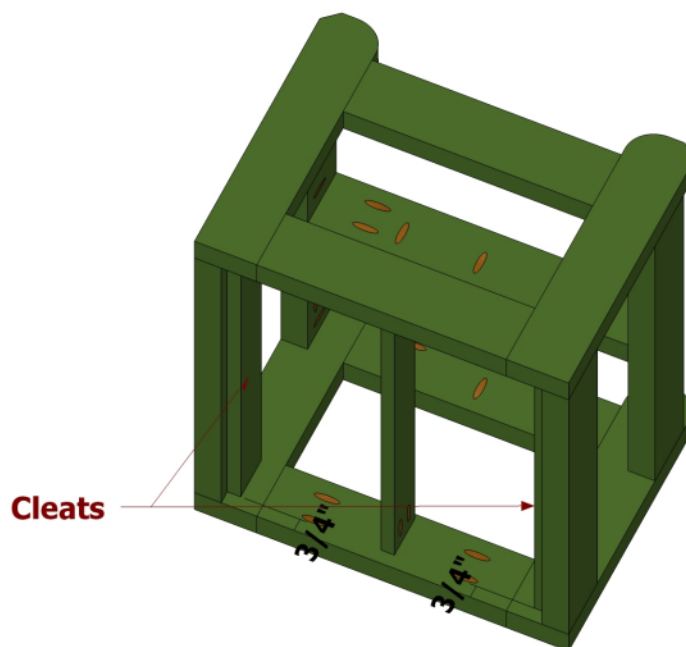


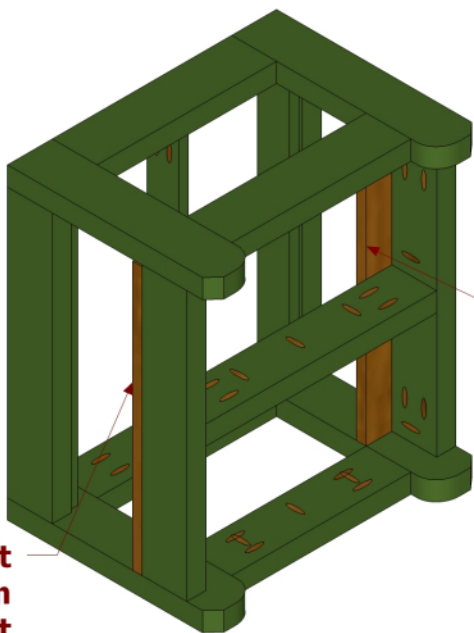
 **NOTE**

Position the other End Assembly as shown and attach using glue and 2 1/2" pocket hole screws for the Side Rails and 1 1/4" screws for the Top Stretcher.

 **NOTE**

Position the Cleats as shown (flush against the inside face of the top End Rails and 3/4" from the top edge) and attach using 1 1/4" deck screws or 1 1/4" galvanized brads.





Short Bottom Slat

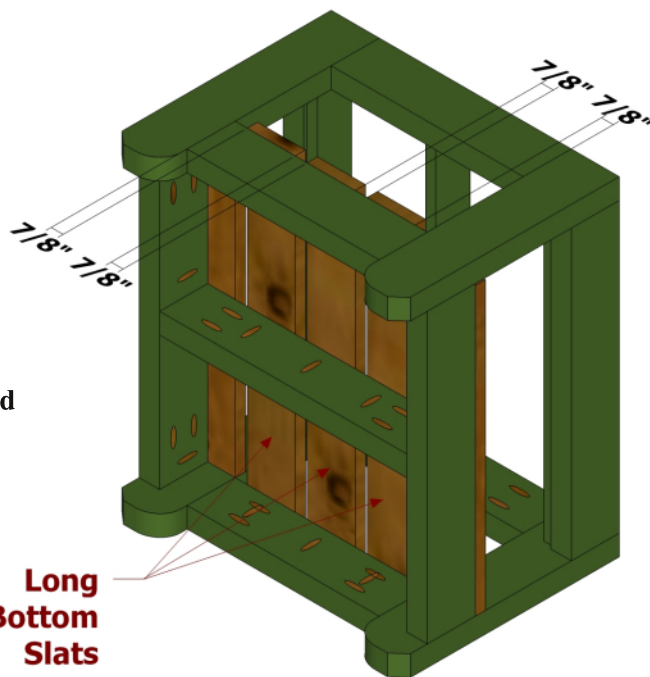


**NOTE**  
Position the Short Bottom Slats as shown (flush against the outer face of the bottom Side Rails) and attach using 1 1/4" pocket hole screws driven through the bottom Side Rails and into the slats.

Short Bottom Slat

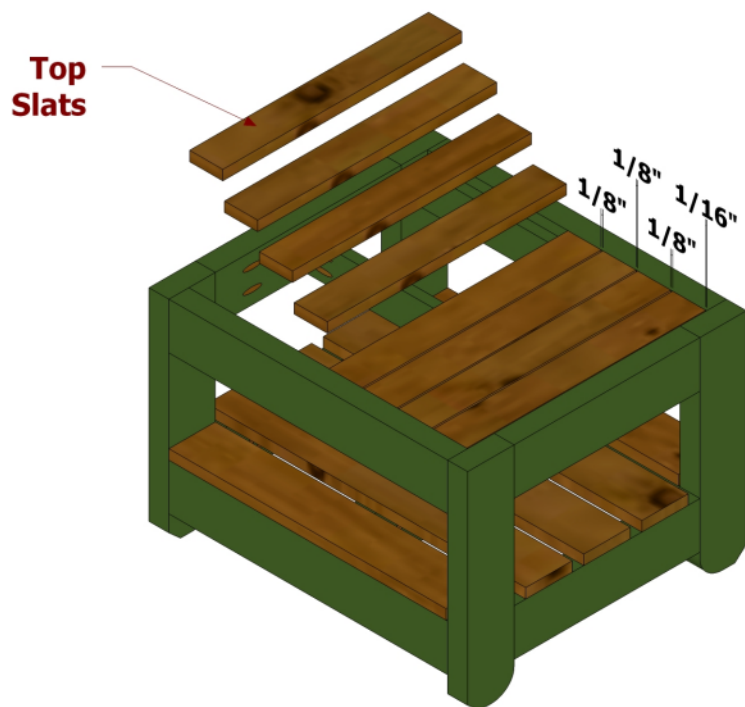


**NOTE**  
Position the Long Bottom Slats as shown (flush against the outer face of the bottom End Rails and spaced 7/8" apart) and attach using 1 1/4" pocket hole screws driven through the bottom End Rails and Bottom Stretcher and into the slats.



Long Bottom Slats

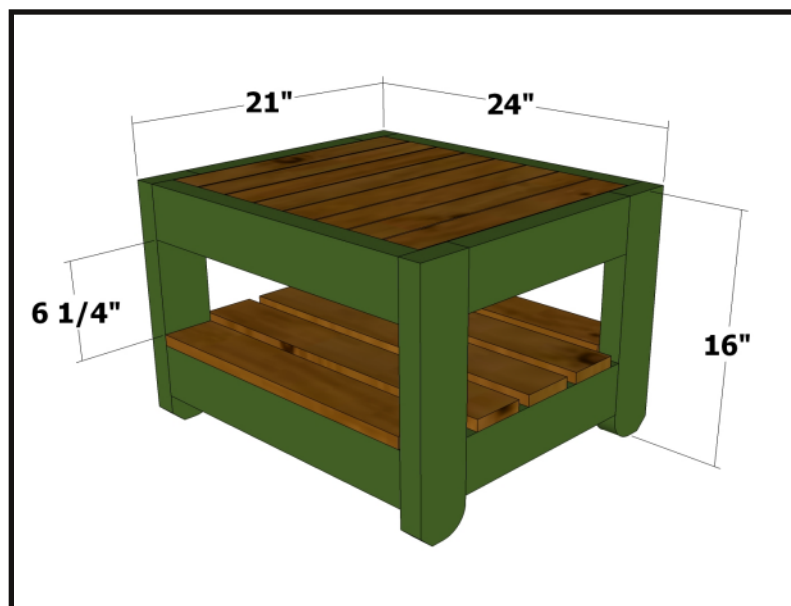
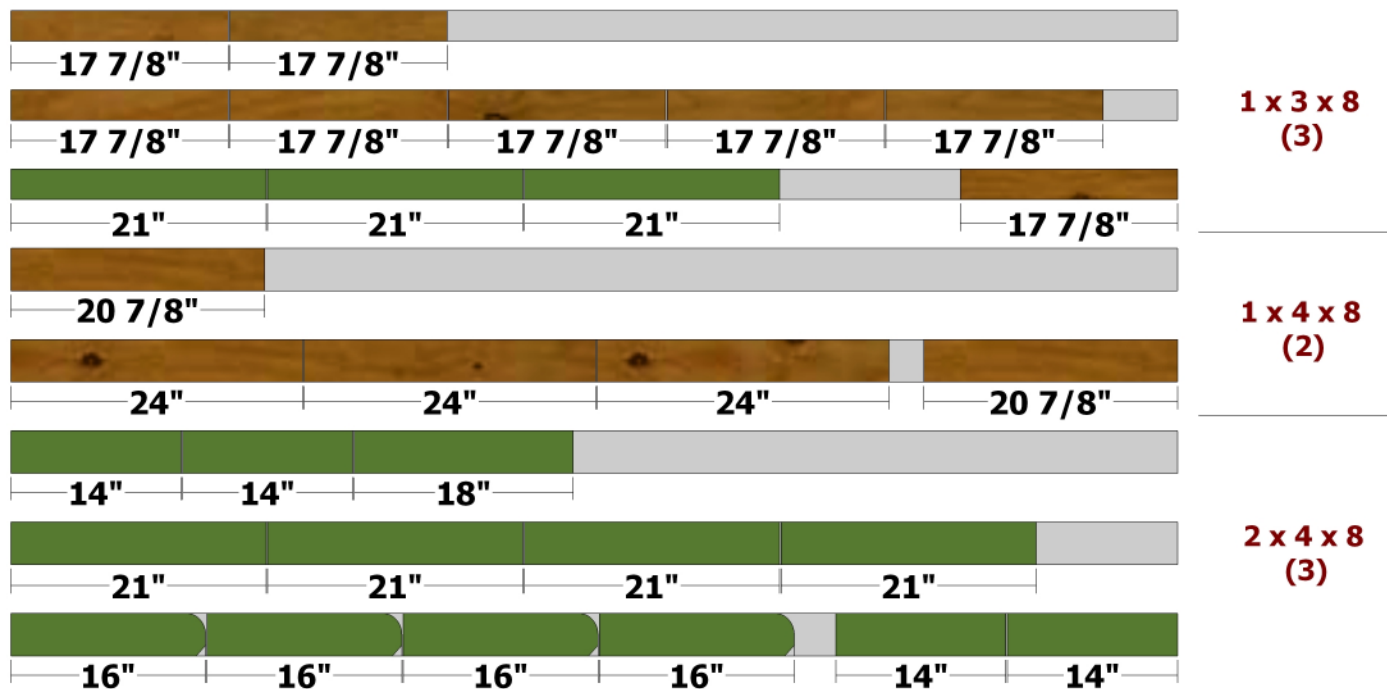




**NOTE**

Position the Top Slats as shown attach using glue and 1 1/4" deck screws or 1 1/4" galvanized brads. Drive the fasteners through the slats and into the Cleats and Top Stretcher. Position the outer Top Slats 1/16" from the End Assemblies. Place the remaining Top Slats 1/8" apart.

 **CUTTING DIAGRAM**



 **PARTS** 

Legs (4) - 1 1/2 x 3 1/2 x 16  
 End Rails (4) - 1 1/2 x 3 1/2 x 14  
 Top Stretcher (1) - 3/4 x 2 1/2 x 21  
 Side Rails (4) - 1 1/2 x 3 1/2 x 21  
 Bottom Stretcher (1) - 1 1/2 x 3 1/2 x 18  
 Short Bottom Slats (2) - 3/4 x 3 1/2 x 20 7/8  
 Long Bottom Slats (3) - 3/4 x 3 1/2 x 24  
 Top Slats (8) - 3/4 x 2 1/2 x 17 7/8

*All parts are listed in actual dimensions. Refer to the Cutting Diagram on the last page of this plan as a guide for determining the specific board from which to cut the parts.*

 **TAKE CARE!**

Follow **ALL SAFETY GUIDELINES AND RECOMMENDATIONS** provided by the manufacturers of your tools, and any chemicals such as glue and finishes you use in this project. **YOU** are responsible for your safety, so use common sense when working in the shop!