

CHIEF'S SHOP PLAN OF THE WEEK



SIMPLE WOODWORKING: GARDEN SHELVES



WHAT YOU'LL NEED



LUMBER

- 4 - 2 x 4 x 8
- 2 - 2 x 6 x 8
- 2 - 2 x 6 x 10
- 1 - 2 x 10 x 10

(availability will vary)

HARDWARE/SUPPLIES

- 2 1/2" pocket hole screws
- 2 1/2" deck screws
- wood glue
- paint, stain, polyurethane, or sealer

TOOLS

- miter saw
- sander/belt sander
- drill/driver
- Kreg Pocket Hole Jig
- clamps
- square

ABOUT THESE PLANS

On this first page you will see above the project complete. On the [last page](#) you'll find the finished outer dimensions. Be sure to read ALL of the project steps before you start.

To the right is a list of the Lumber, Hardware/Supplies, and Tools you will need to complete this project. A measuring tape and pencil are not included because that should be pretty standard and self explanatory.

Below What You'll Need is the Parts list. This also is included on the [Cutting Diagram](#) page, which is the next to last page of this plan document. Also on the [Cutting Diagram](#) page is an estimate of the cost of the lumber. This estimate doesn't include any other supplies and does not factor in sales tax.

Throughout these plans you'll find the icons below:



LAYOUT

This indicates a diagram detailing the dimensions of a project part and/or the placement for pocket holes, screws, nails, etc.



NOTE

Notes are the instructions for a particular step/section of the project.



TAKE CARE!

This indicates when to pay close attention to the diagrams, take precautions for safety, etc.



MORE PLANS

Want more Chief's Shop plans? Visit chiefs-shop.com and look through the Plans section.

Be sure to "Like" Chief's Shop on facebook by heading over to facebook.com/ChiefsShop.

PARTS

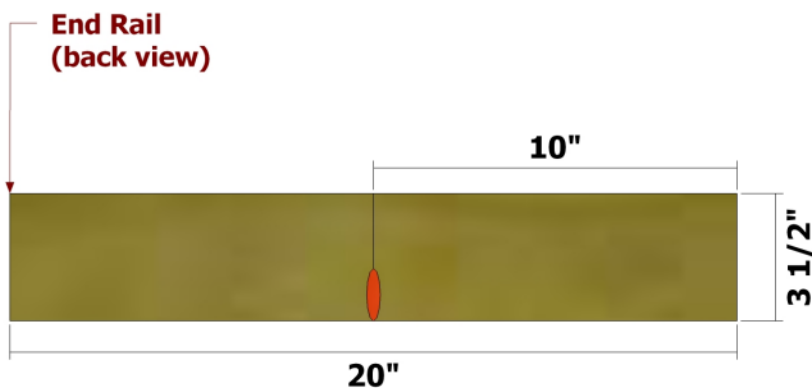
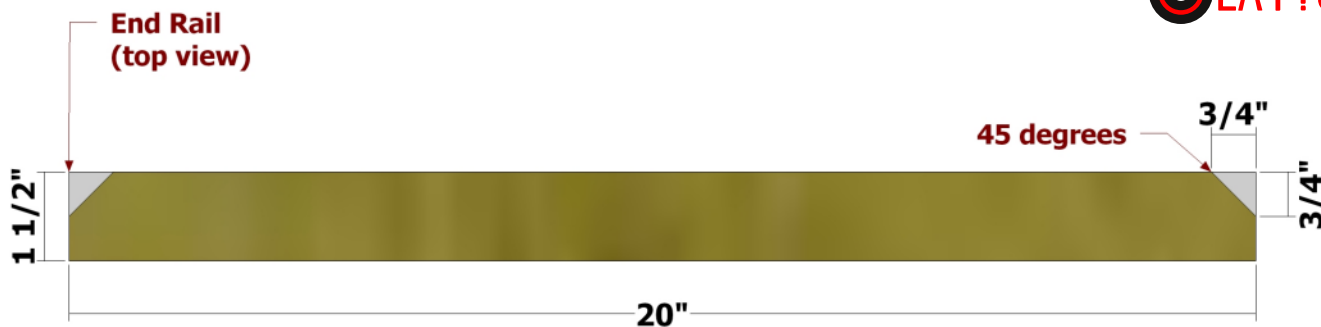
- End Rails (6) - 1 1/2 x 3 1/2 x 20
- Legs (4) - 1 1/2 x 5 1/2 x 48
- Shelf Rails (6) - 1 1/2 x 3 1/2 x 30
- Stretchers (2) - 1 1/2 x 3 1/2 x 13 1/2
- Center Slats (3) - 1 1/2 x 9 1/4 x 36
- Outer Slats (6) - 1 1/2 x 5 1/2 x 30

All parts are listed in actual dimensions. Refer to the Cutting Diagram on the last page of this plan as a guide for determining the specific board from which to cut the parts.

VIDEO

Check out Chief's Shop Videos on YouTube. ([click here](#))

 LAYOUT



 NOTE

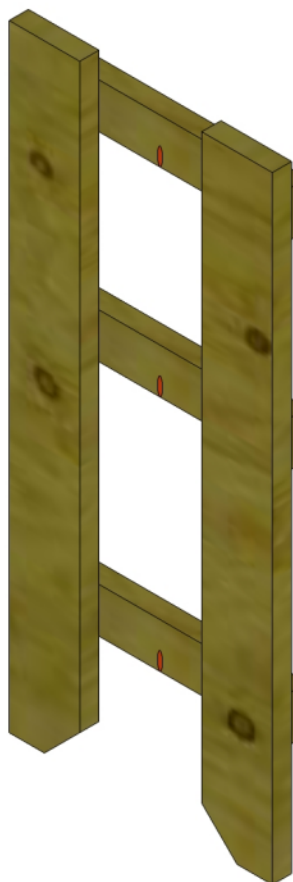
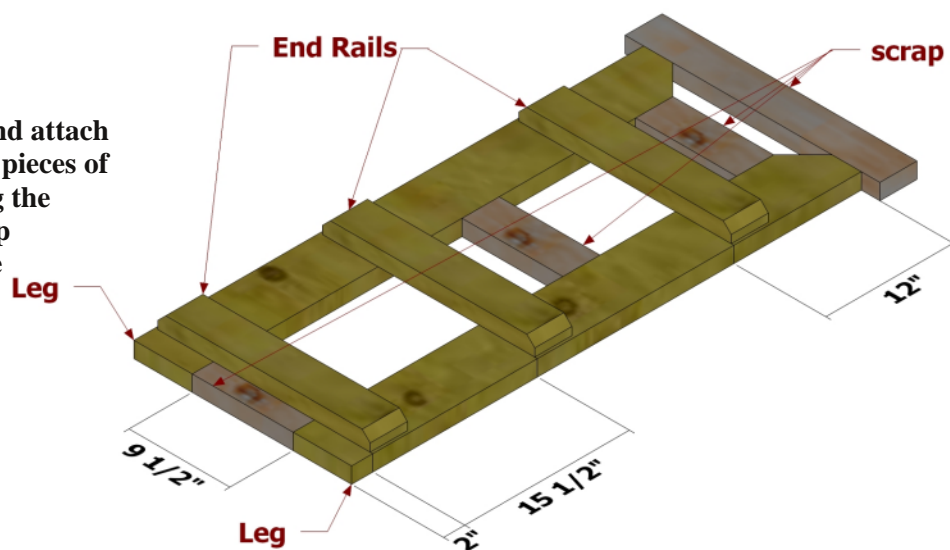
Cut 45-degree bevels as shown in the top layout. **Set your pocket hole jig and drill bit for 1 1/2" stock** for drilling the pocket hole on the back of the End Rail (as shown in back view). This will be on the opposite side from the bevels.

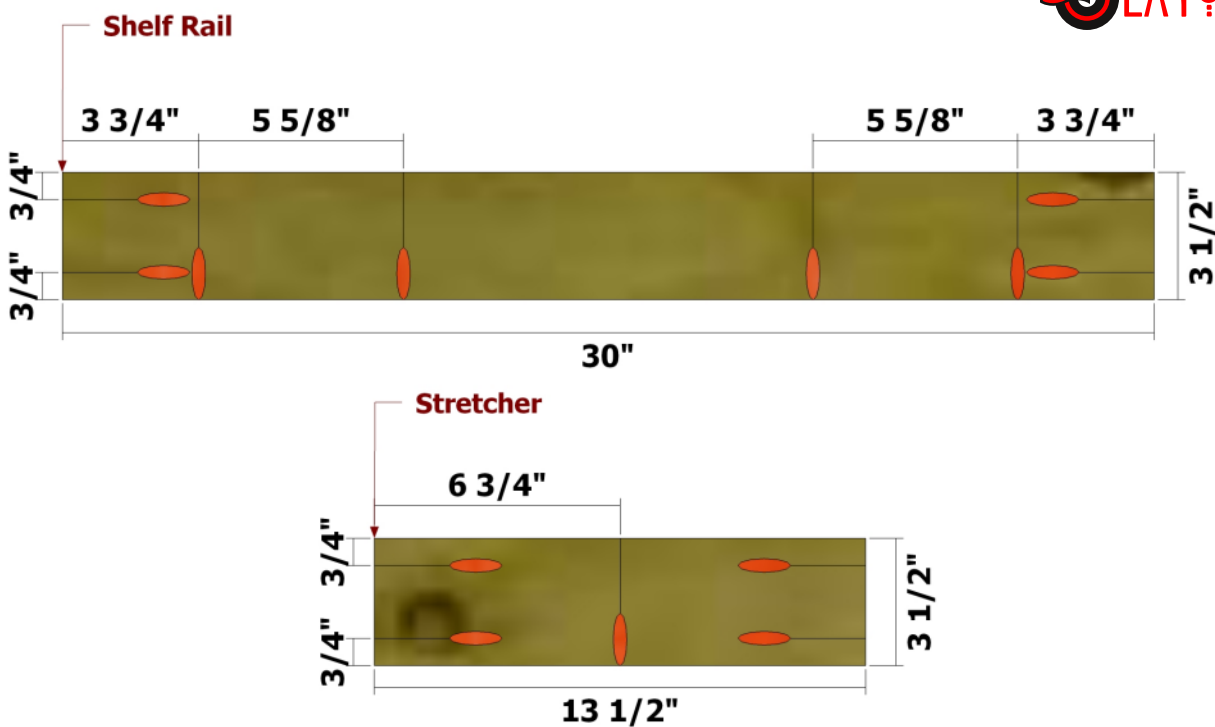
 LAYOUT



NOTE

Position the parts as shown and attach using 2 1/2" deck screws. Use pieces of scrap cut to 9 1/2" for spacing the Legs, and a long piece of scrap clamped to your work surface to align the bottom of the Legs. Make two assemblies.

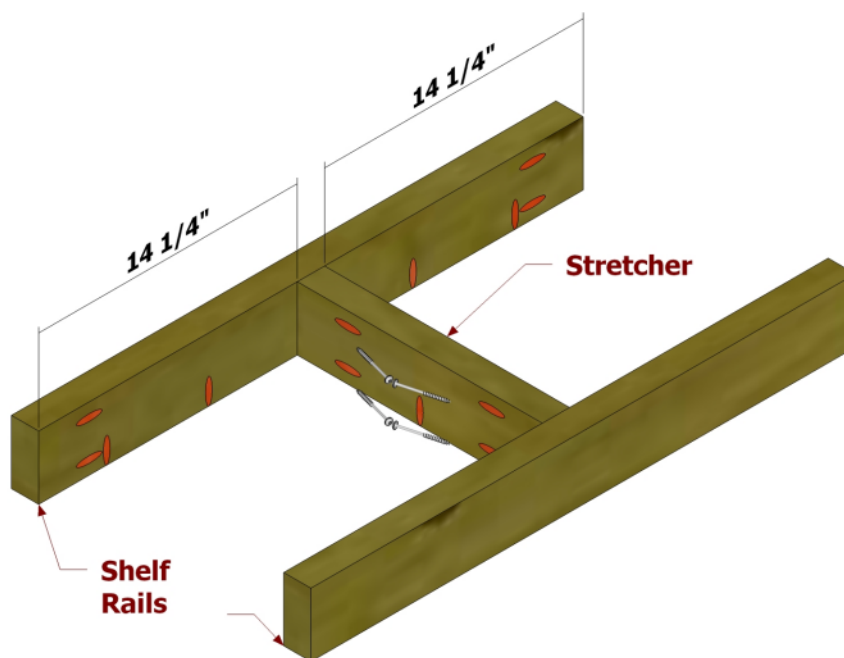




NOTE Set your pocket hole jig and drill bit for 1 1/2" stock for drilling the pocket holes.

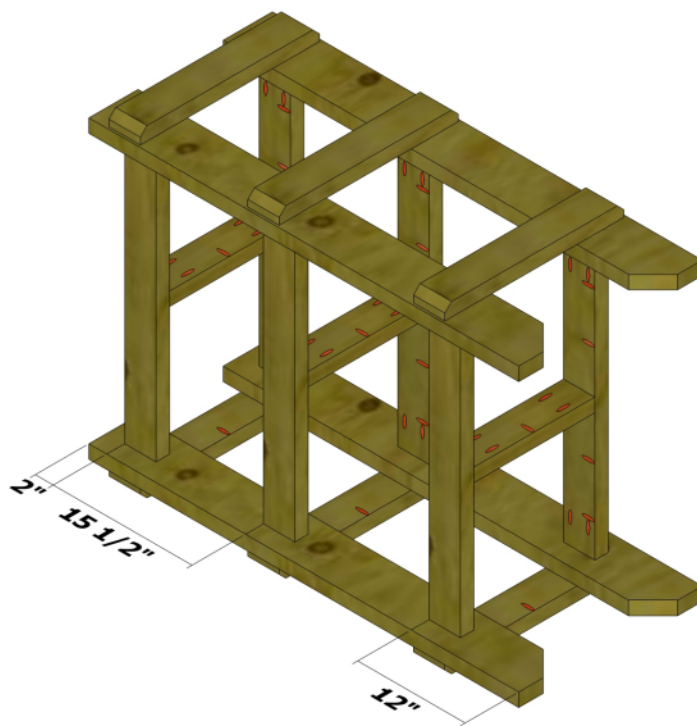
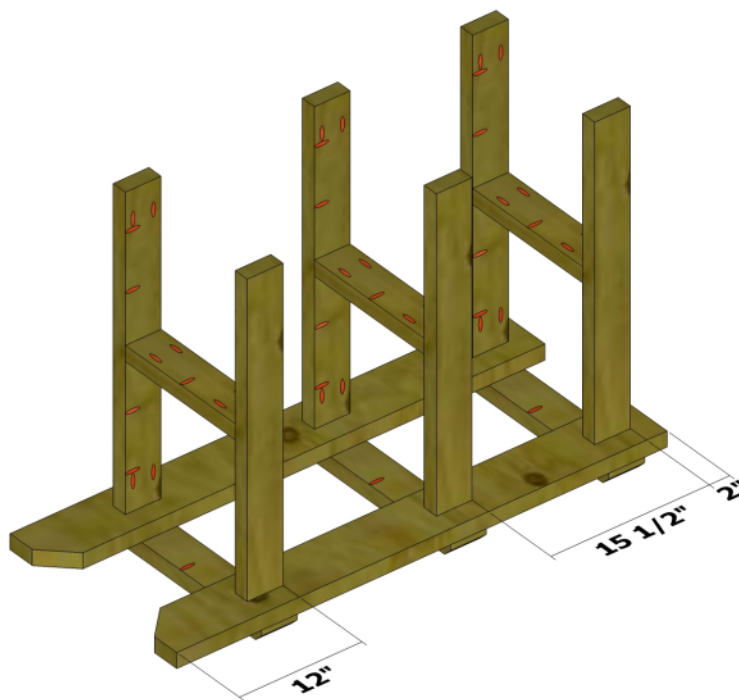


Position the parts as shown and attach using 2 1/2" pocket hole screws. Make three assemblies.



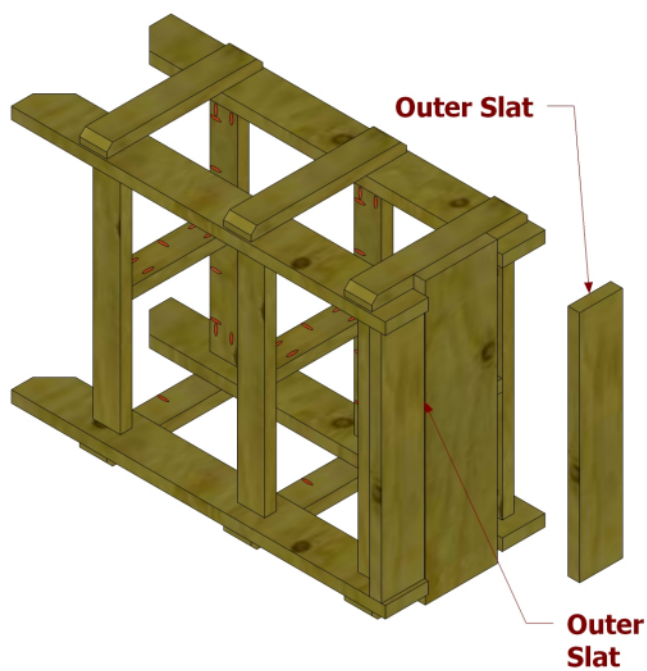
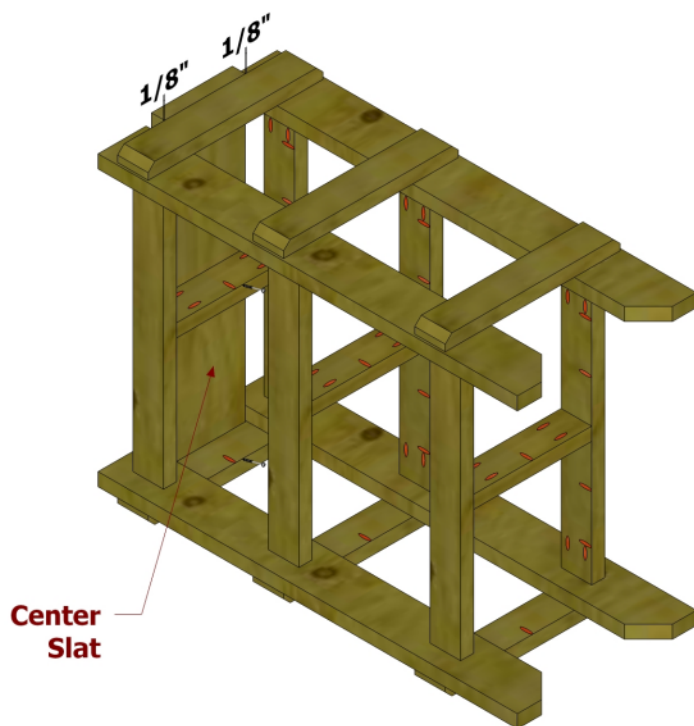
 NOTE

Position the assemblies as shown and attach using 2 1/2" pocket hole screws.



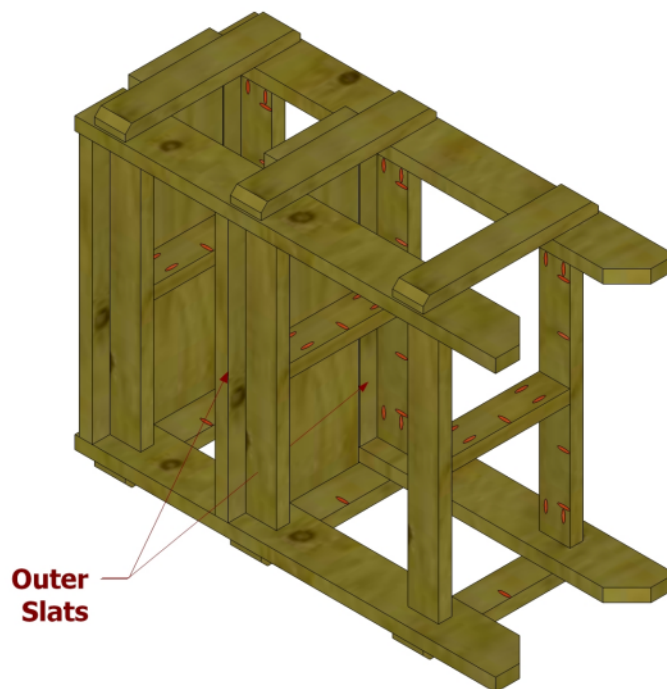
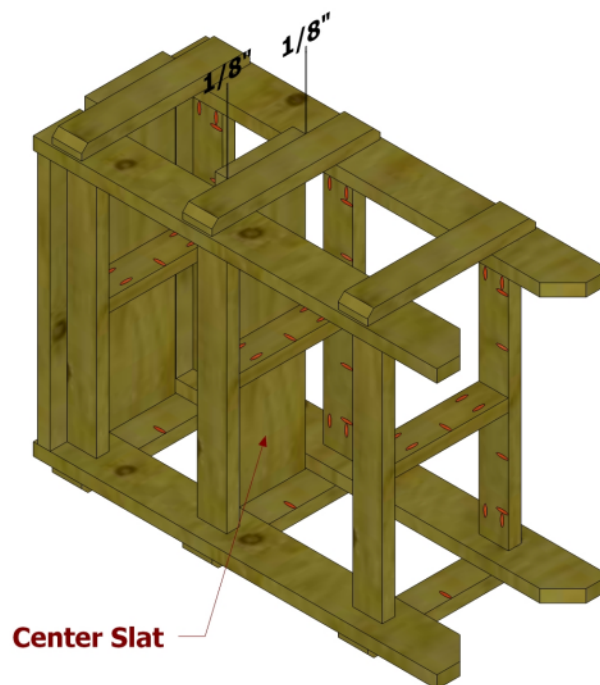
 **NOTE**

Position the parts as shown and attach using 2 1/2" pocket hole screws.



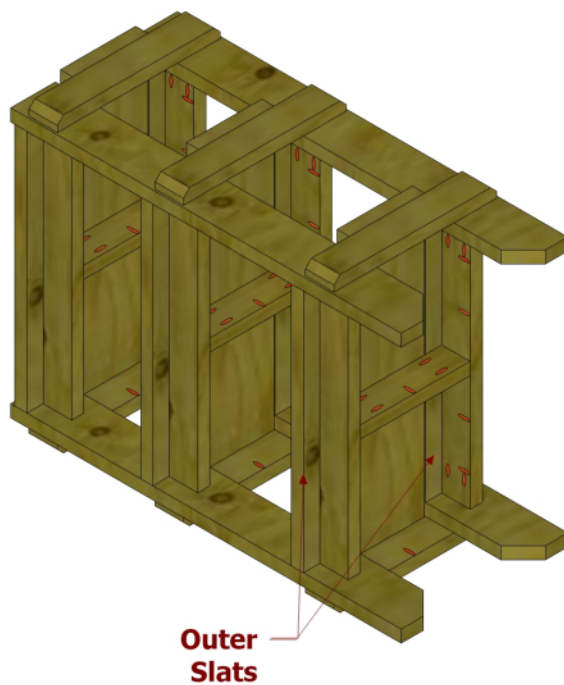
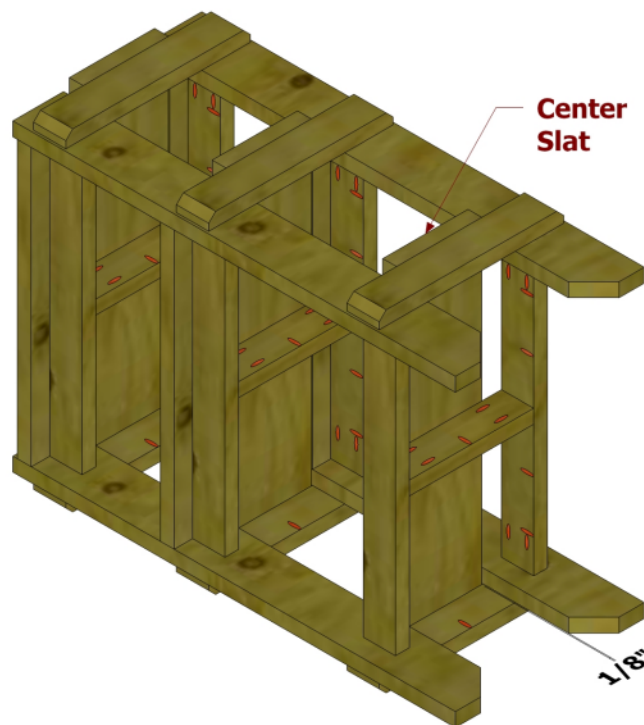
 **NOTE**

Position the parts as shown and attach using 2 1/2" pocket hole screws.

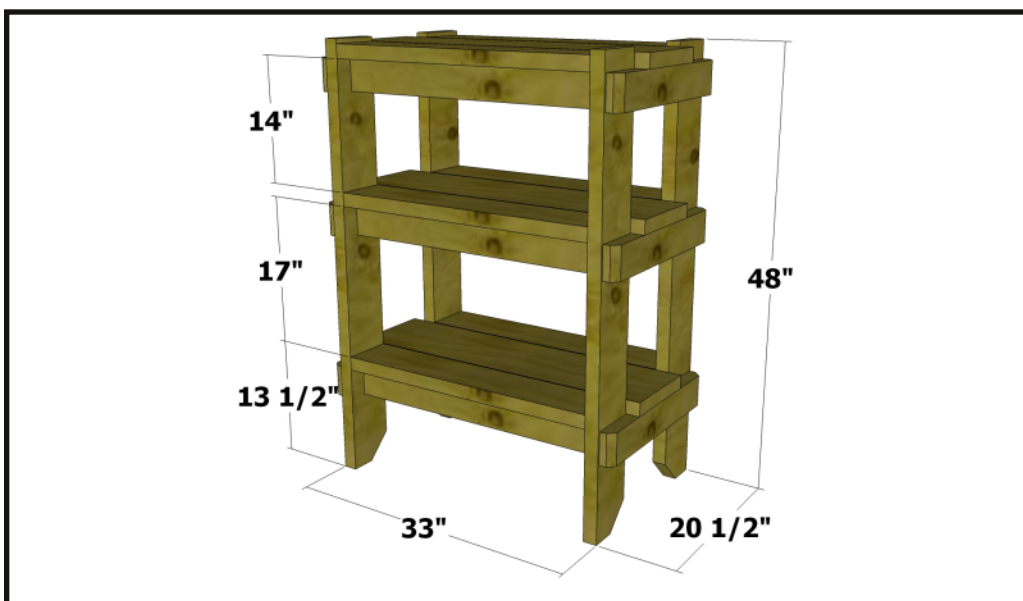
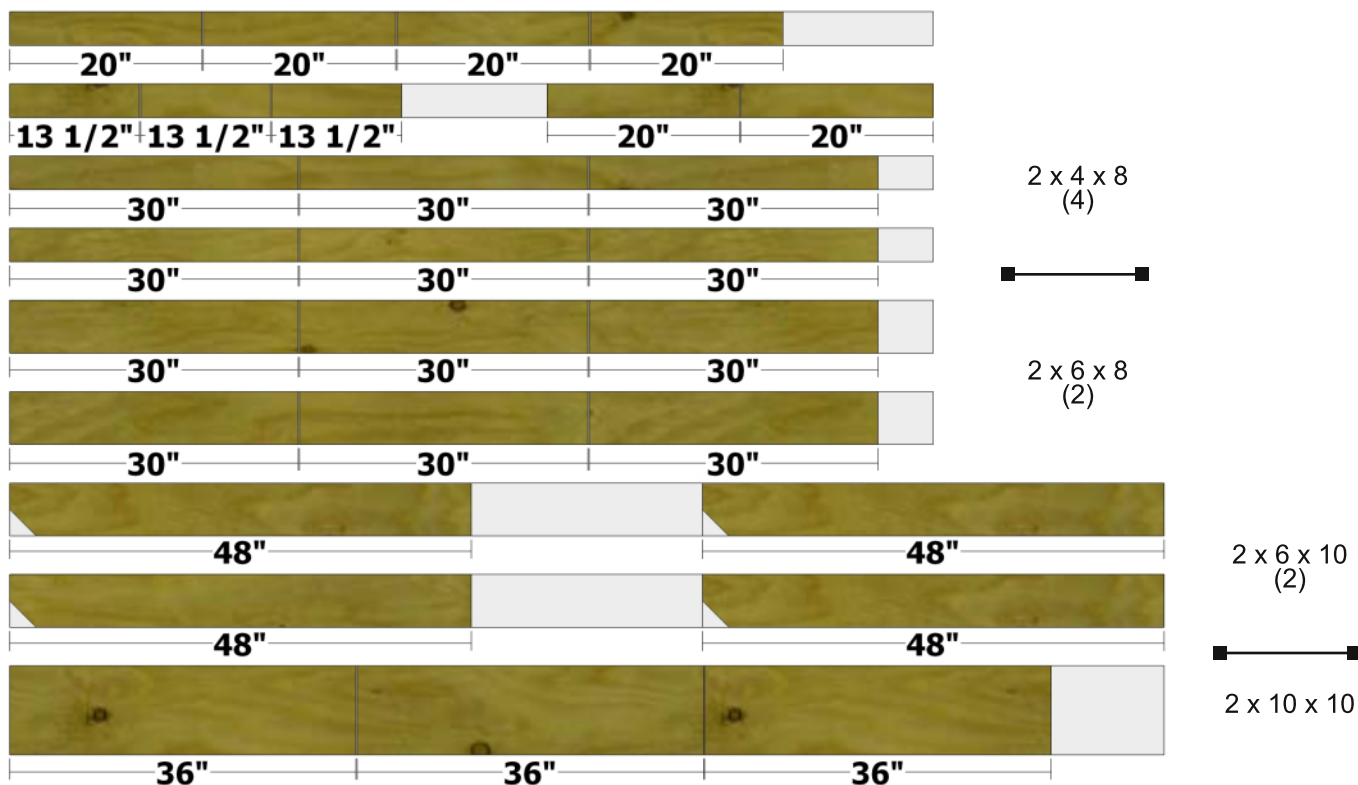


 **NOTE**

Position the parts as shown and attach using 2 1/2" pocket hole screws.



 **CUTTING DIAGRAM**



⚙️ PARTS ⚙️

- End Rails (6) - 1 1/2 x 3 1/2 x 20
- Legs (4) - 1 1/2 x 5 1/2 x 48
- Shelf Rails (6) - 1 1/2 x 3 1/2 x 30
- Stretchers (2) - 1 1/2 x 3 1/2 x 13 1/2
- Center Slats (3) - 1 1/2 x 9 1/4 x 36
- Outer Slats (6) - 1 1/2 x 5 1/2 x 30

All parts are listed in actual dimensions. Refer to the Cutting Diagram on the last page of this plan as a guide for determining the specific board from which to cut the parts.

⚠️ TAKE CARE!

Follow ALL SAFETY GUIDELINES AND RECOMMENDATIONS provided by the manufacturers of your tools, and any chemicals such as glue and finishes you use in this project. YOU are responsible for your safety, so use common sense when working in the shop!