

CHIEF'S SHOP PLAN OF THE WEEK



SIMPLE WOODWORKING: FLORIDA CHAIR



WHAT YOU'LL NEED



LUMBER

- 4 - 1 x 4 x 8
- 3 - 2 x 4 x 8
- 1 - 2 x 6 x 8

(availability will vary)

HARDWARE/SUPPLIES

- 2 1/2" pocket hole screws
- 2 1/2" deck screws
- 1 1/2" pocket hole screws
- 1 1/2" deck screws
- wood filler
- wood glue
- paint/stain

TOOLS

- miter saw
- jig saw
- sander/belt sander
- drill/driver
- Kreg Pocket Hole Jig
- clamps
- square
- compass/flexible metal ruler

ABOUT THESE PLANS

On this first page you will see above the project complete. On the [last page](#) you'll find the finished outer dimensions. Be sure to read ALL of the project steps before you start.

To the right is a list of the Lumber, Hardware/Supplies, and Tools you will need to complete this project. A measuring tape and pencil are not included because that should be pretty standard and self explanatory.

Below What You'll Need is the Parts list. This also is included on the [Cutting Diagram](#) page, which is the next to last page of this plan document. Also on the [Cutting Diagram](#) page is an estimate of the cost of the lumber. This estimate doesn't include any other supplies and does not factor in sales tax.

Throughout these plans you'll find the icons below:



LAYOUT

This indicates a diagram detailing the dimensions of a project part and/or the placement for pocket holes, screws, nails, etc.



NOTE

Notes are the instructions for a particular step/section of the project.



TAKE CARE!

This indicates when to pay close attention to the diagrams, take precautions for safety, etc.



MORE PLANS

Want more Chief's Shop plans? Visit chiefs-shop.com and look through the Plans section.

Be sure to "Like" Chief's Shop on facebook by heading over to [facebook.com/ChiefsShop](https://www.facebook.com/ChiefsShop).

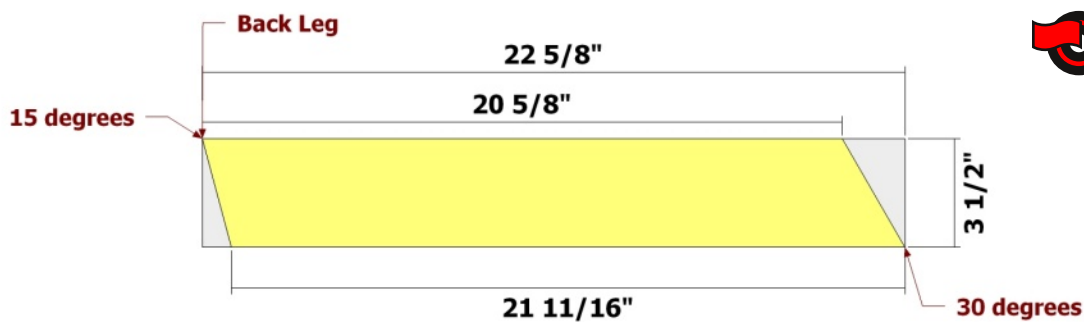
PARTS

- Back Legs (2) - 1 1/2 x 3 1/2 x 22 5/8
- Front Legs (2) - 1 1/2 x 3 1/2 x 26
- Top Side Rails (2) - 1 1/2 x 3 1/2 x 14 1/2
- Bottom Side Rails (2) - 1 1/2 x 3 1/2 x 20 5/16
- Front Rail (1) - 1 1/2 x 5 1/2 x 22
- Back Rail (1) - 1 1/2 x 3 1/2 x 22
- Back Supports (2) - 1 1/2 x 3 1/2 x 31 3/8
- Brackets (2) - 1 1/2 x 5 1/2 x 3 1/2
- Arms (2) - 1 1/2 x 5 1/2 x 31 7/16
- Front Seat Slat (1) - 3/4 x 3 1/2 x 21 7/8
- Seat Slats (4) - 3/4 x 3 1/2 x 26 1/2
- Mid Back Slat (1) - 3/4 x 3 1/2 x 29 15/16
- Bottom Back Slats (2) - 3/4 x 3 1/2 x 21 7/8
- Top Mid Back Slat (1) - 3/4 x 3 1/2 x 31 1/8
- Top Back Slats (2) - 3/4 x 3 1/2 x 31 3/8

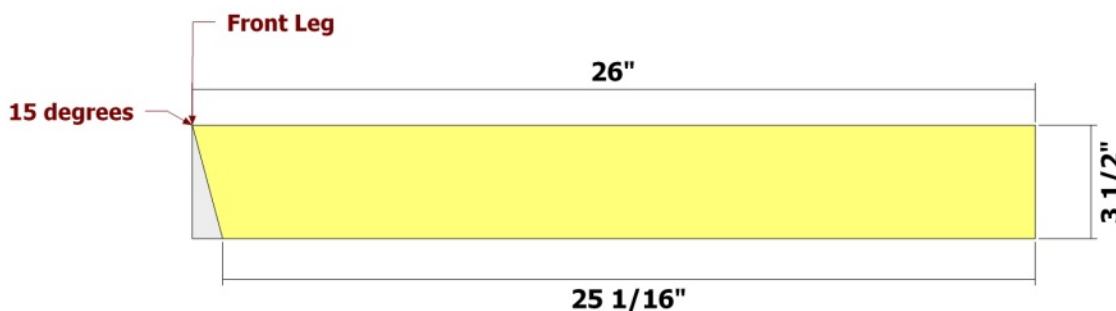
All parts are listed in actual dimensions. Refer to the Cutting Diagram on the last page of this plan as a guide for determining the specific board from which to cut the parts.

VIDEO

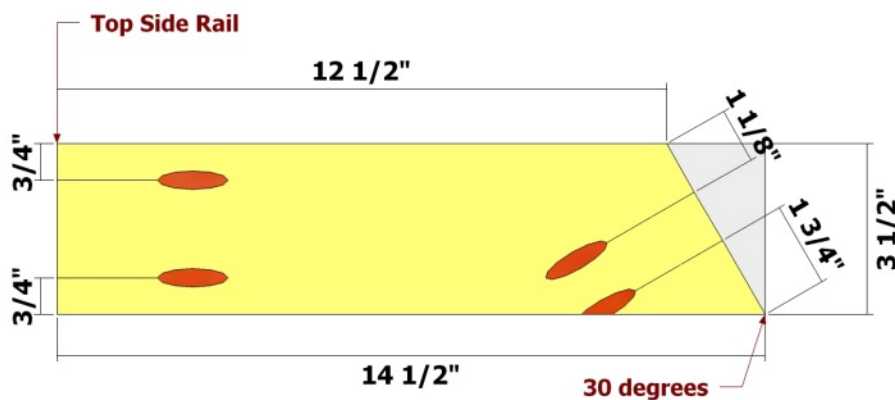
Check out Chief's Shop Videos on YouTube. ([click here](#))



LAYOUT



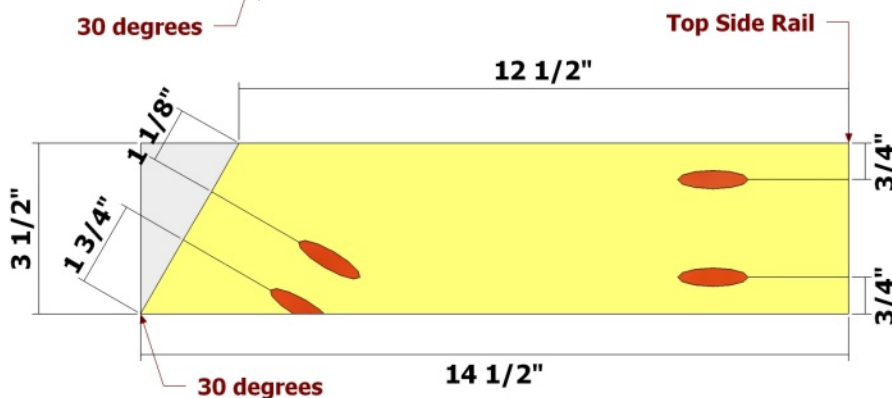
NOTE Use the layouts as guides for measuring, marking, and cutting the **Back Legs** and **Front Legs**.

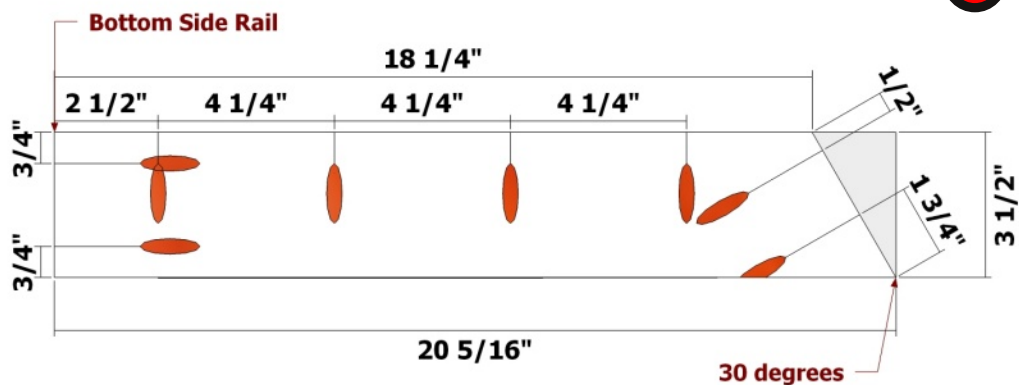


LAYOUT

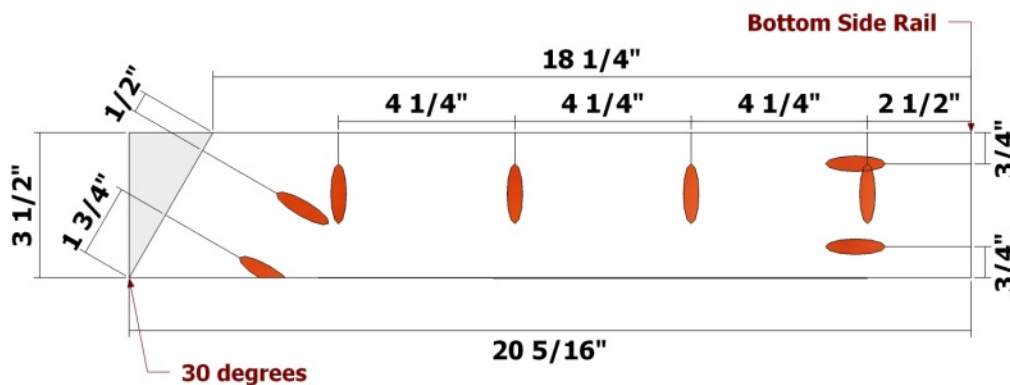
NOTE

Use the layouts as guides for measuring, marking, cutting, and drilling pocket holes in the **Top Side Rails**. **Set your pocket hole jig for 1 1/2" stock.**



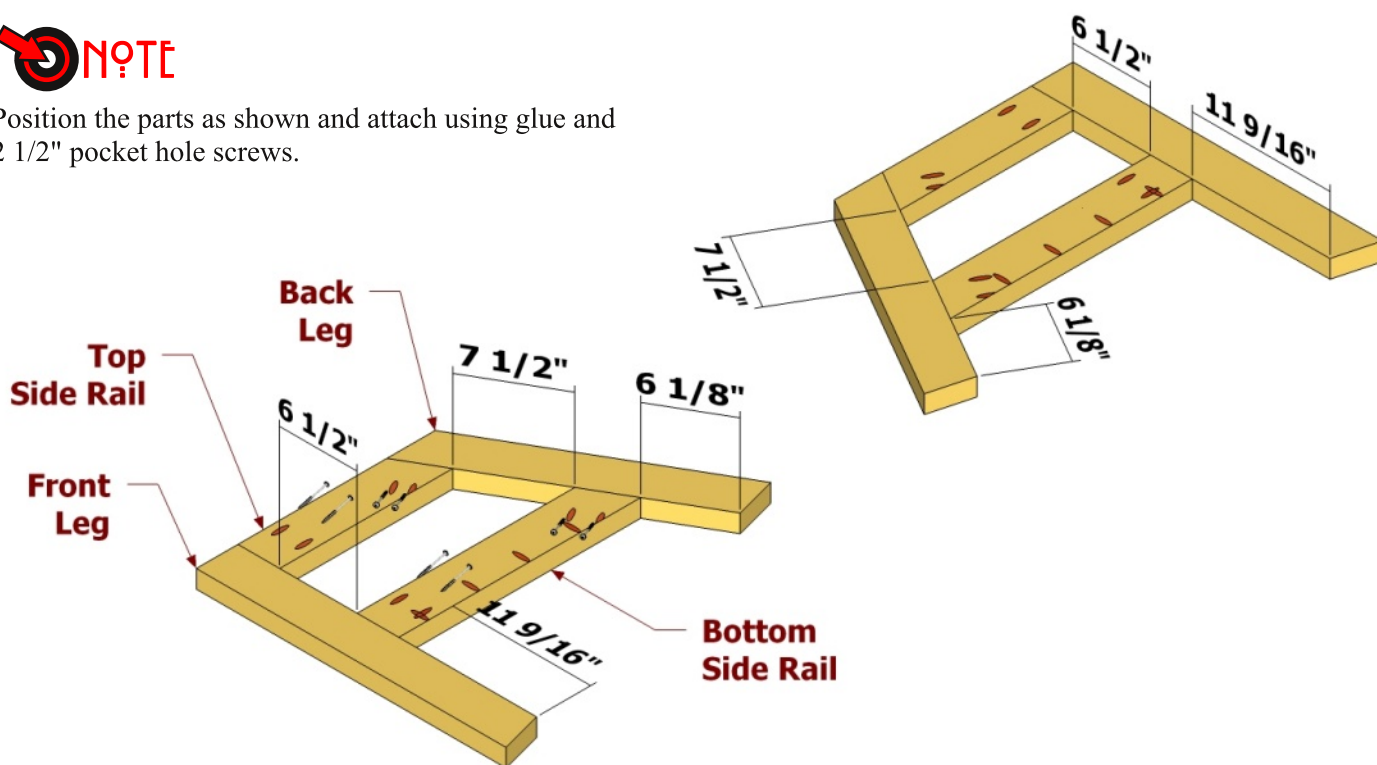


NOTE Use the layouts as guides for measuring, marking, cutting, and drilling pocket holes in the **Bottom Side Rails**. **Set your pocket hole jig for 1 1/2" stock for the ends, and 3/4" stock for the vertical holes.**



NOTE

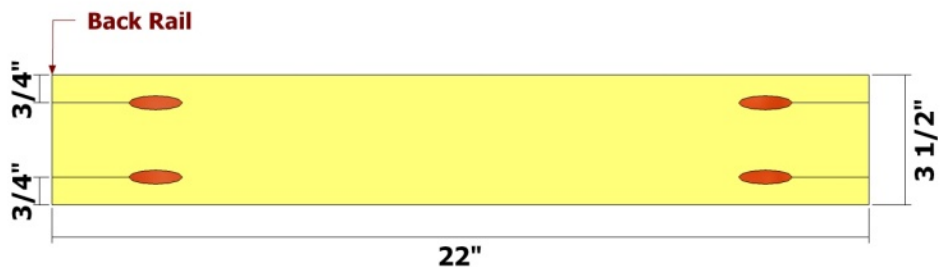
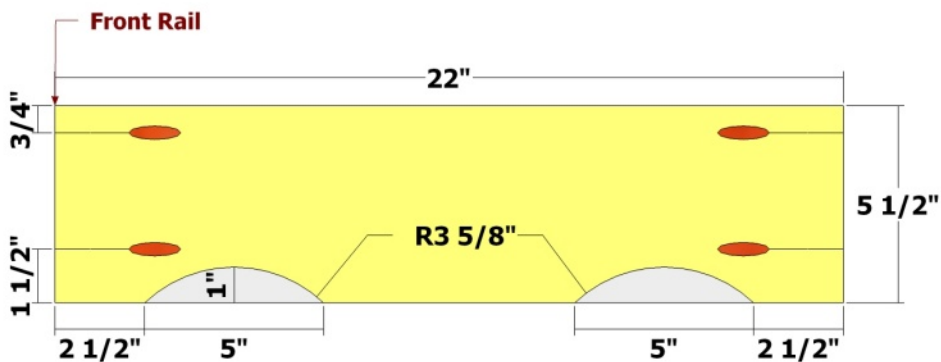
Position the parts as shown and attach using glue and 2 1/2" pocket hole screws.

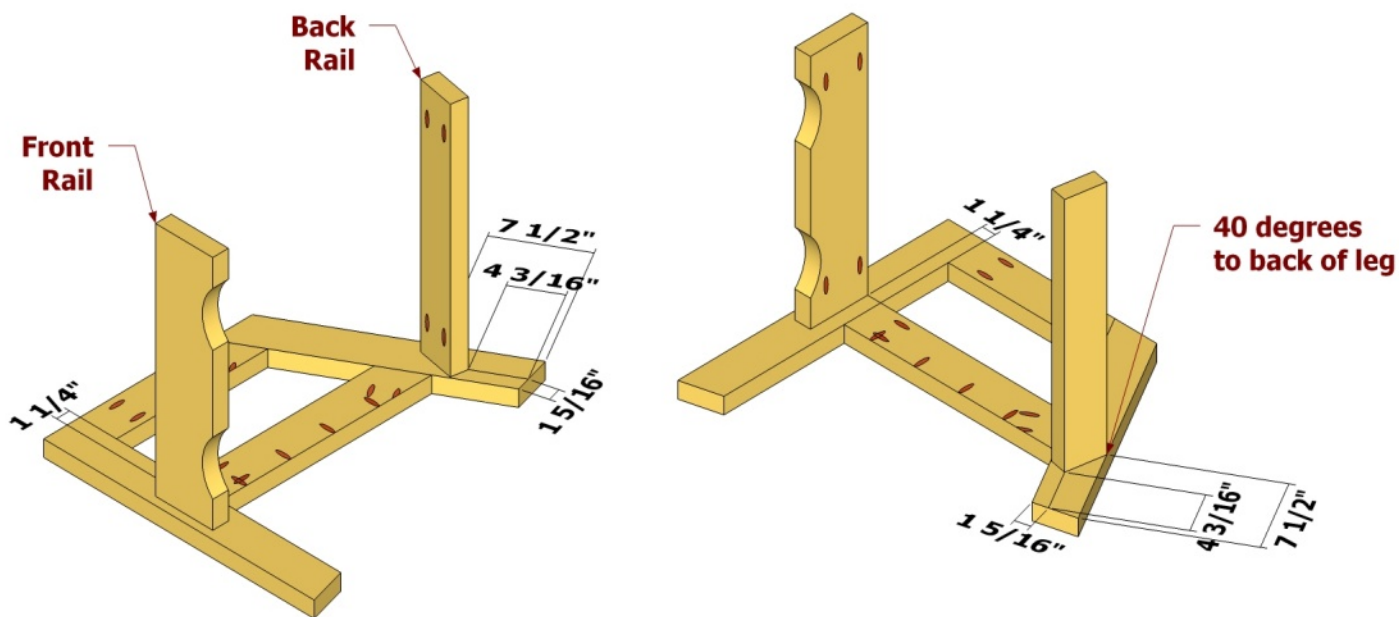


LAYOUT

NOTE

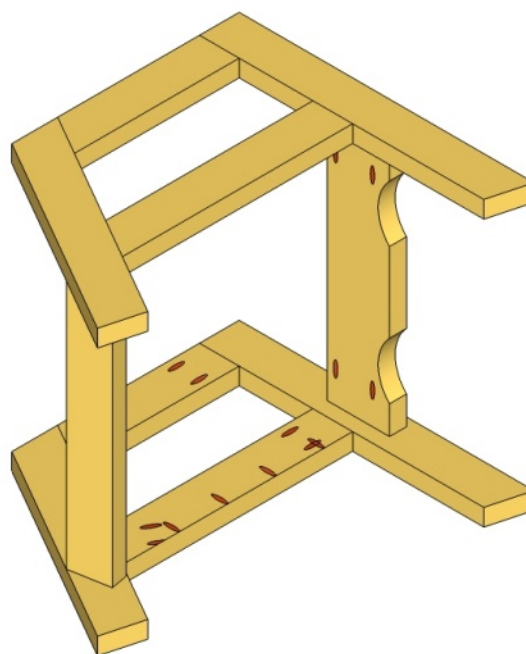
Use the layouts as guides for measuring, marking, cutting, and drilling pocket holes in the **Front Rail** and **Back Rail**. **Set your pocket hole jig for 1 1/2" stock.**



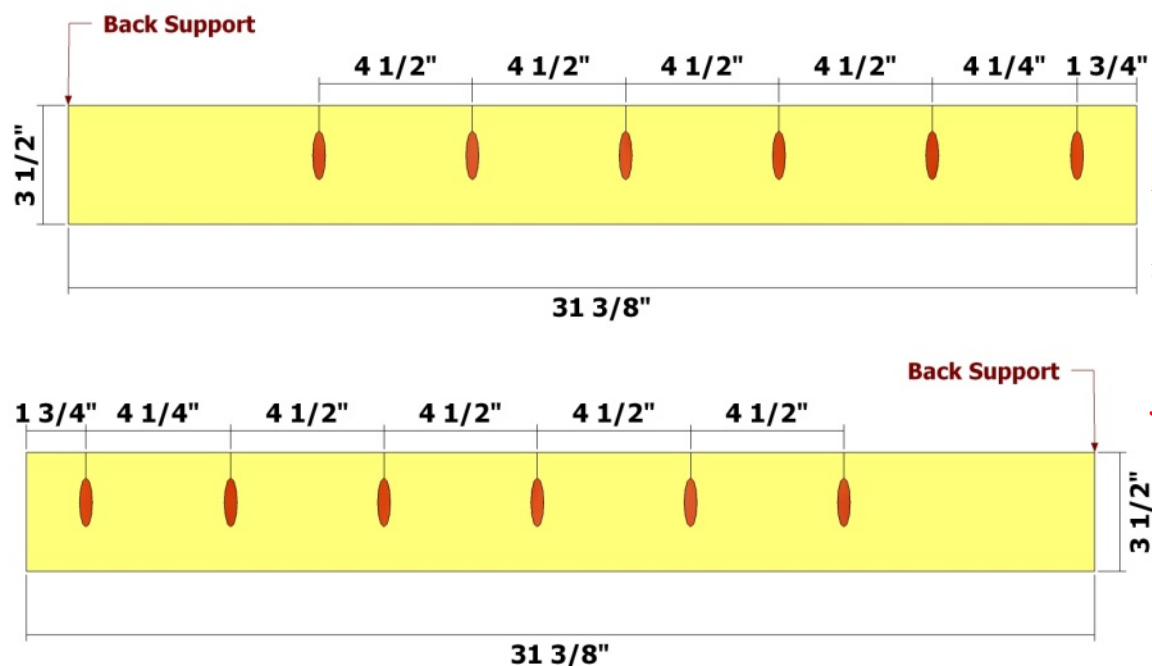


 **NOTE**

Position the parts as shown and attach using glue and 2 1/2" pocket hole screws.



LAYOUT

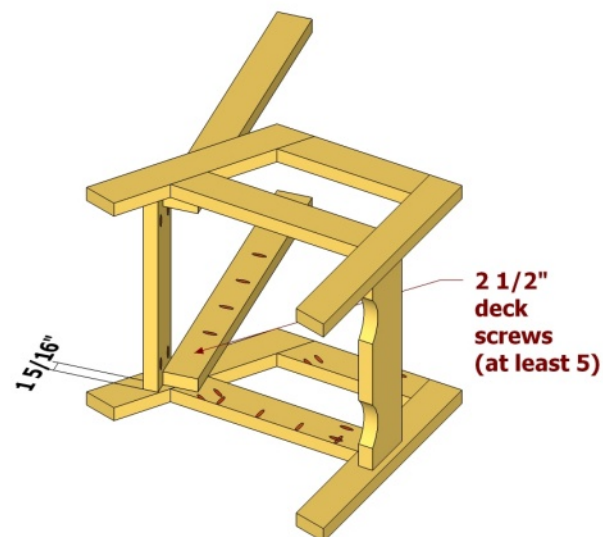
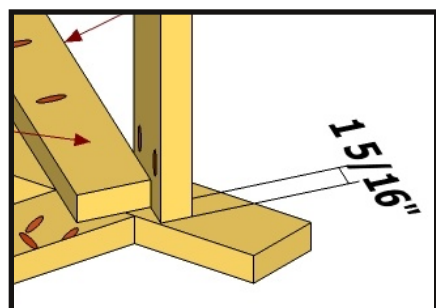
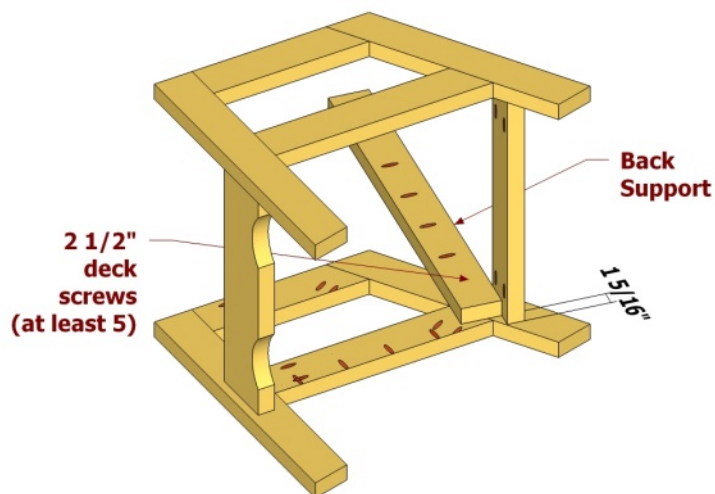


NOTE

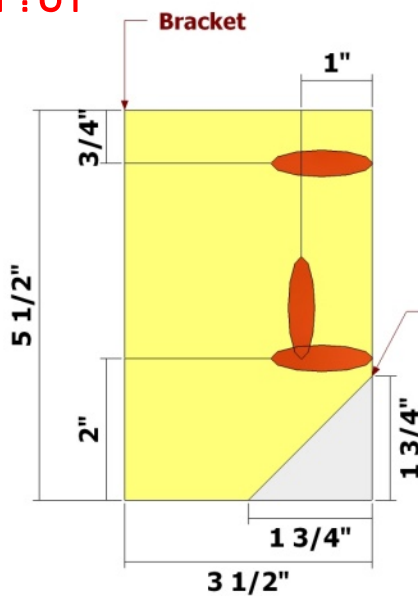
Use the layouts as guides for measuring, marking, cutting, and drilling pocket holes in the **Back Supports**. **Set your pocket hole jig for 3/4" stock.**

NOTE

Position the parts as shown and attach using glue and 2 1/2" deck screws.

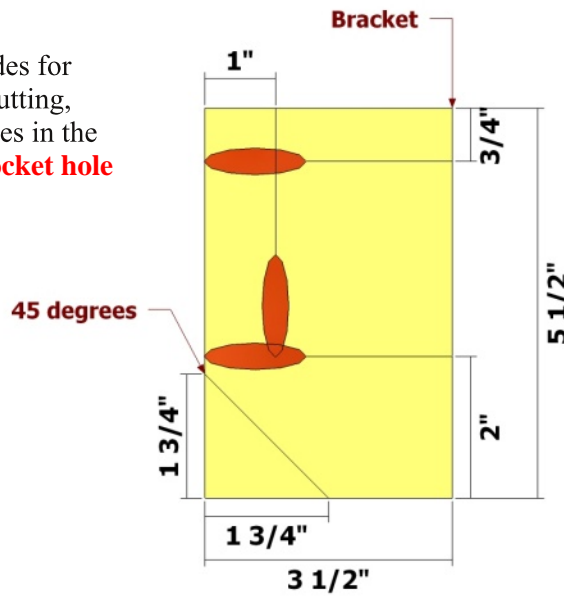


LAYOUT



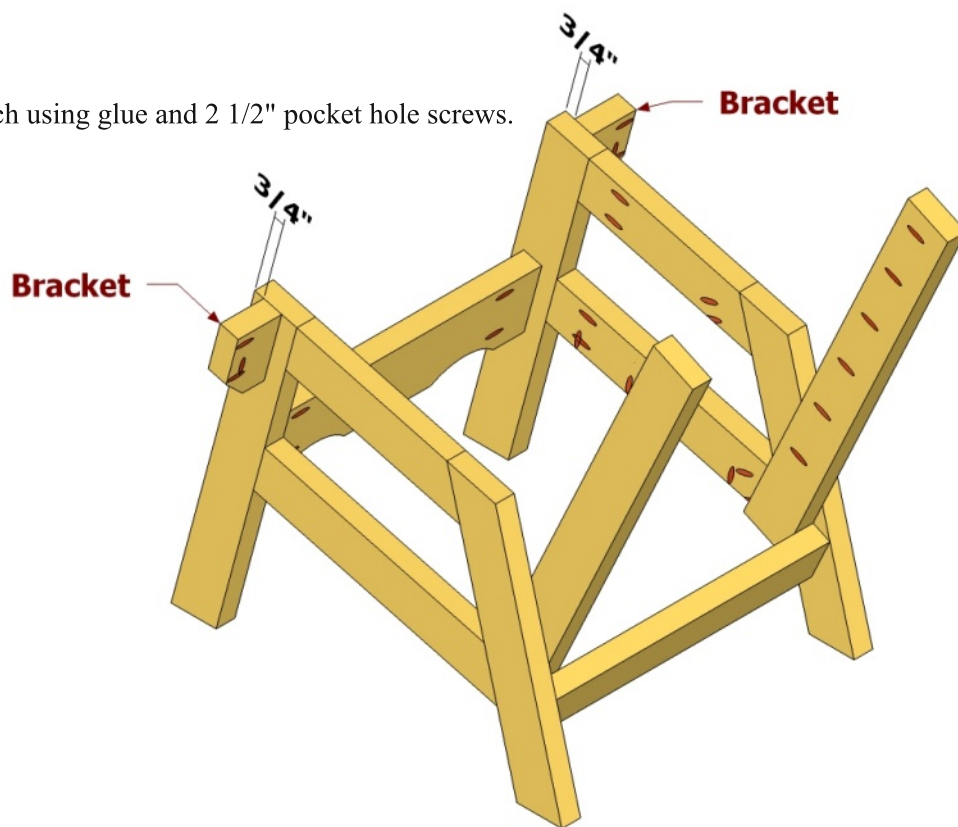
NOTE

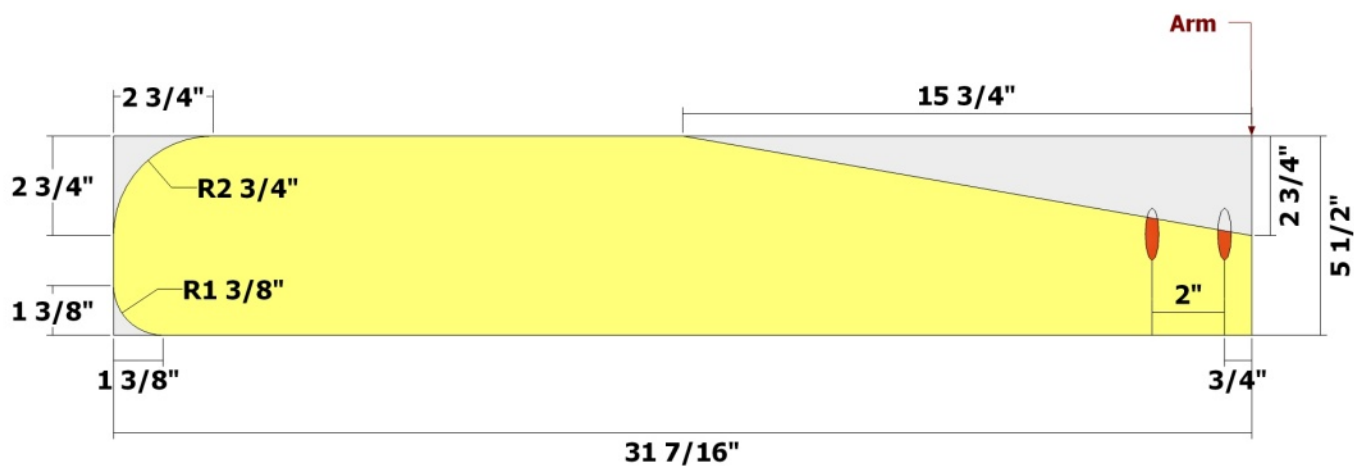
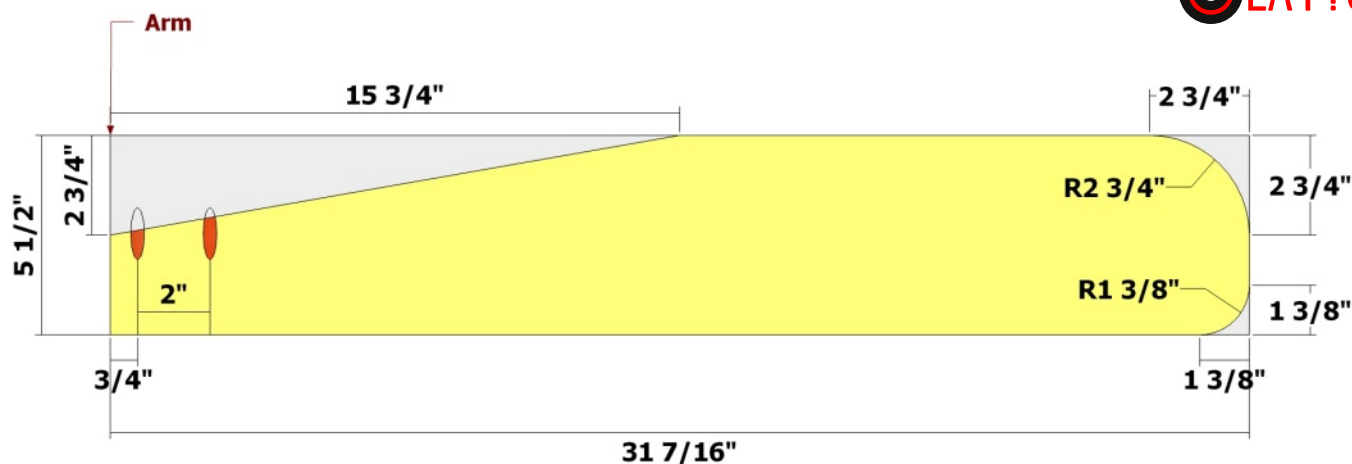
Use the layouts as guides for measuring, marking, cutting, and drilling pocket holes in the Brackets. **Set your pocket hole jig for 1 1/2" stock.**



NOTE

Position the parts as shown and attach using glue and 2 1/2" pocket hole screws.



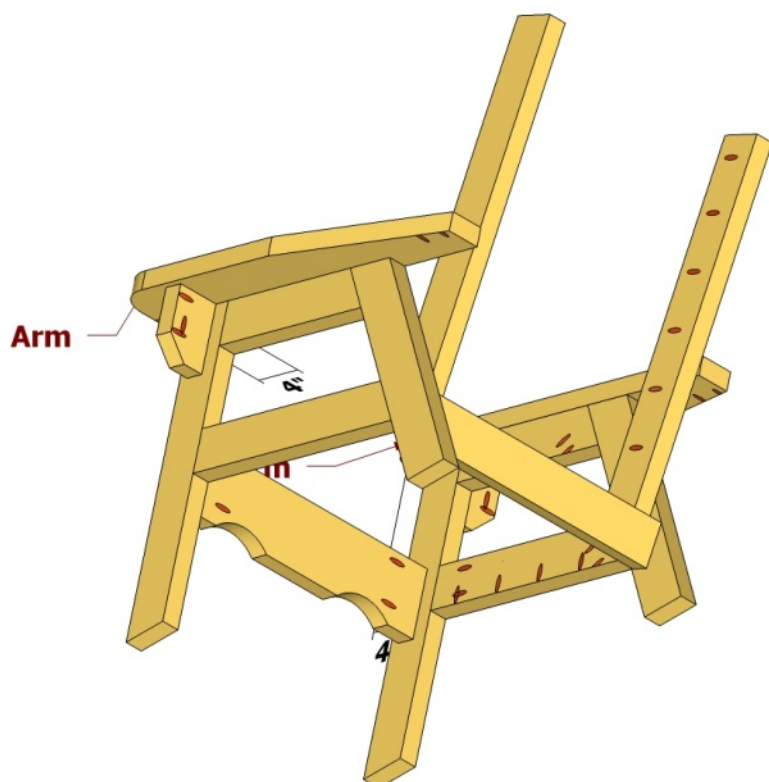
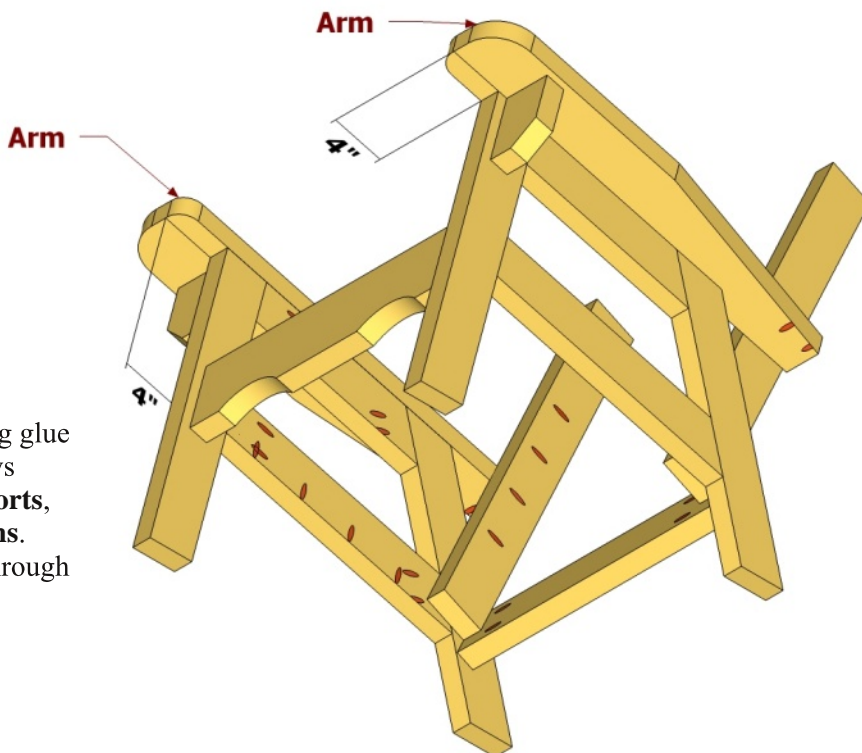


 NOTE

Use the layouts as guides for measuring, marking, cutting, and drilling pocket holes in the Arms.
Set your pocket hole jig for 1 1/2" stock.

NOTE

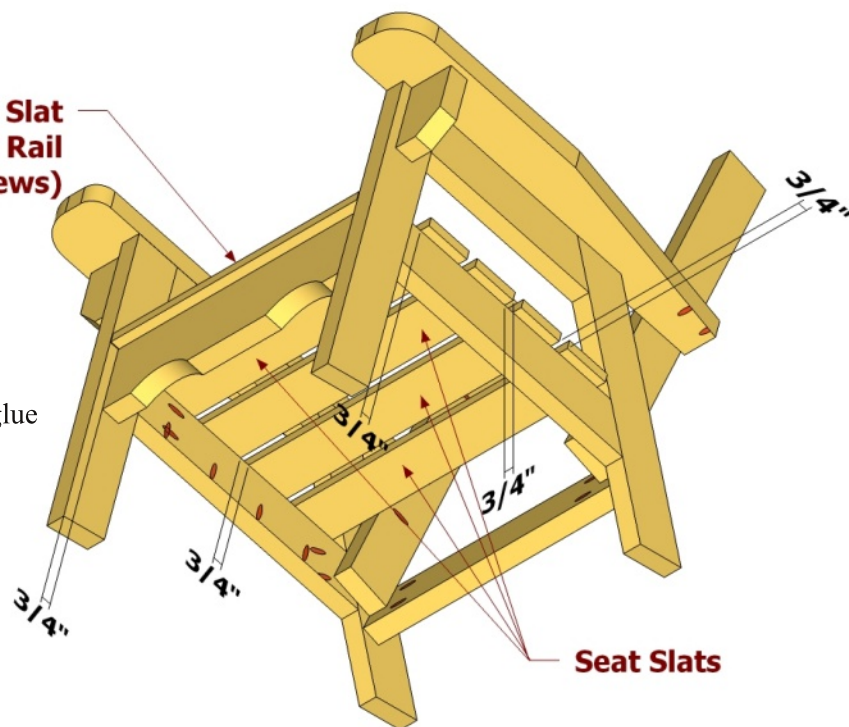
Position the parts as shown and attach using glue and 2 1/2" pocket hole screws. Drive screws through the **Arms** and into the **Back Supports**, and through the **Brackets** and into the **Arms**. Also drive additional 2 1/2" deck screws through the **Arms** and into the **Top Side Rails**.

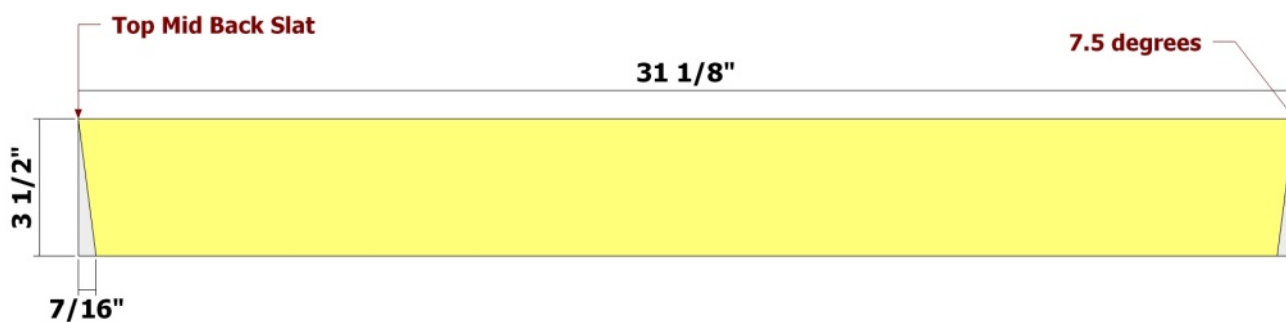
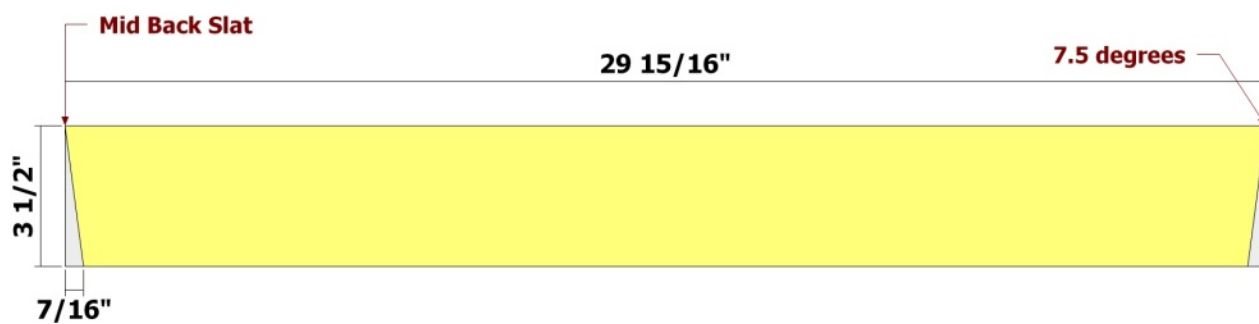



Front Seat Slat
(attach to Front Rail
using 1 1/2" deck screws)

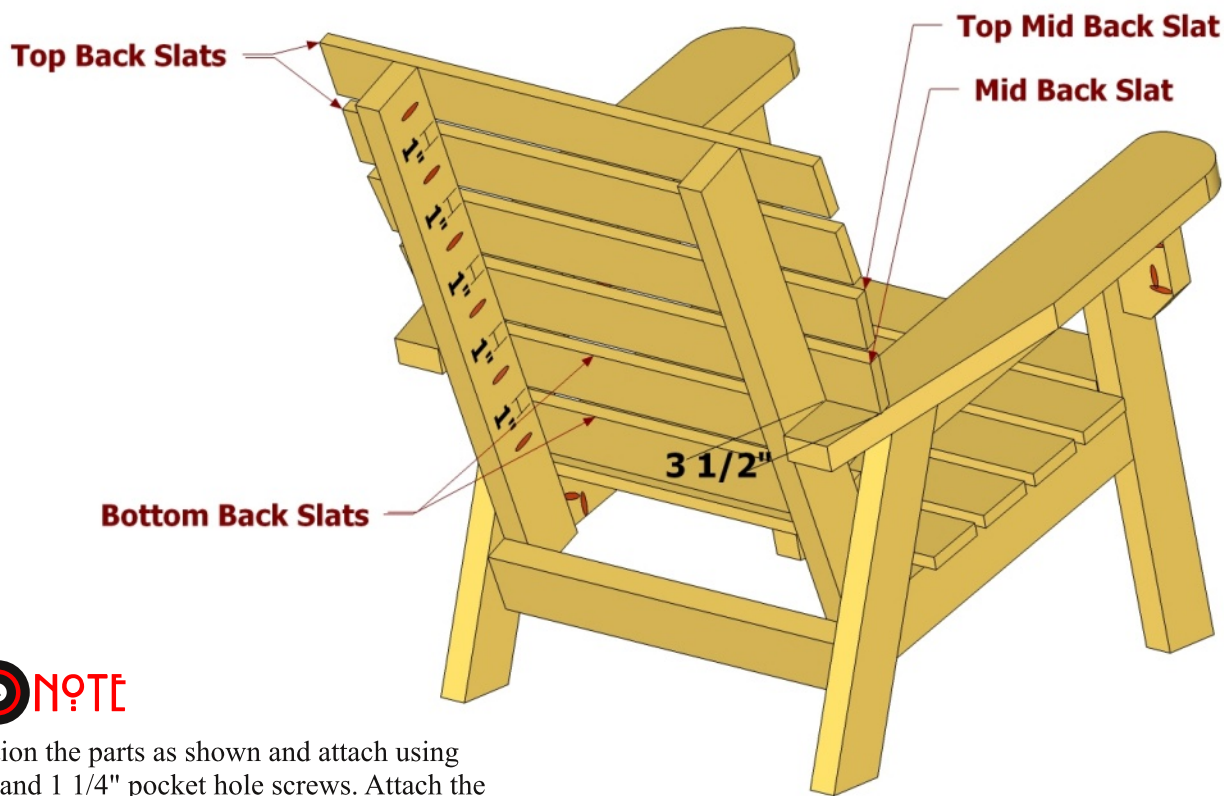


Position the parts as shown and attach using glue and 1 1/4" pocket hole screws, except for the **Front Seat Slat** (use 1 1/2" deck screws to attach it to the **Front Rail**).



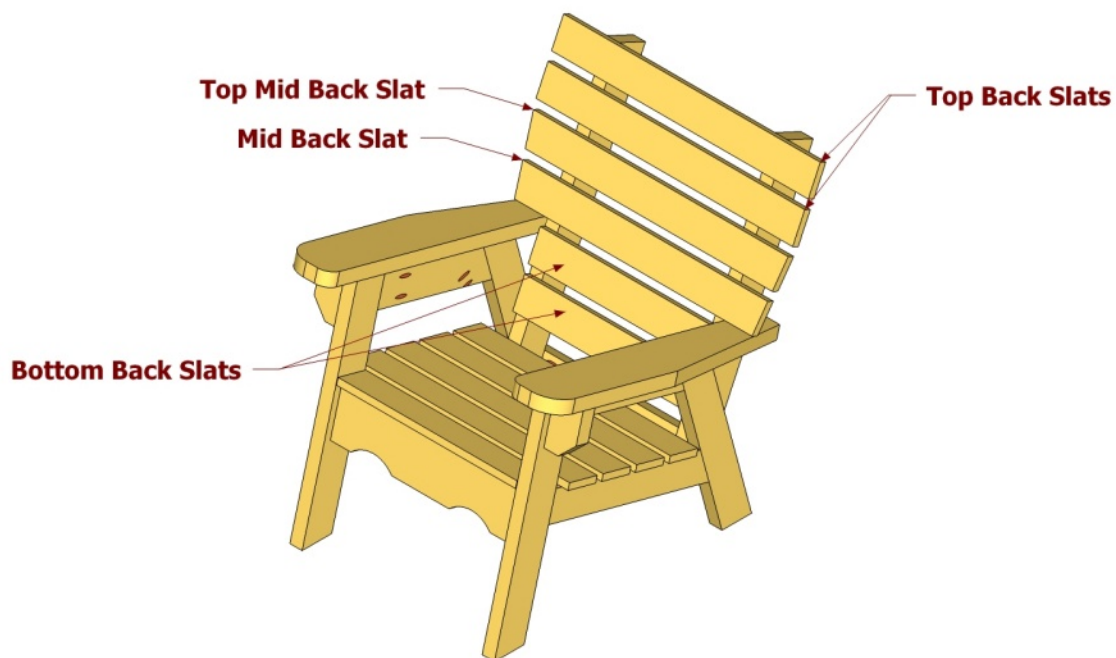


 **NOTE** Use the layouts as guides for measuring, marking, and cutting the **Mid Back Slat** and **Top Mid Back Slat**.

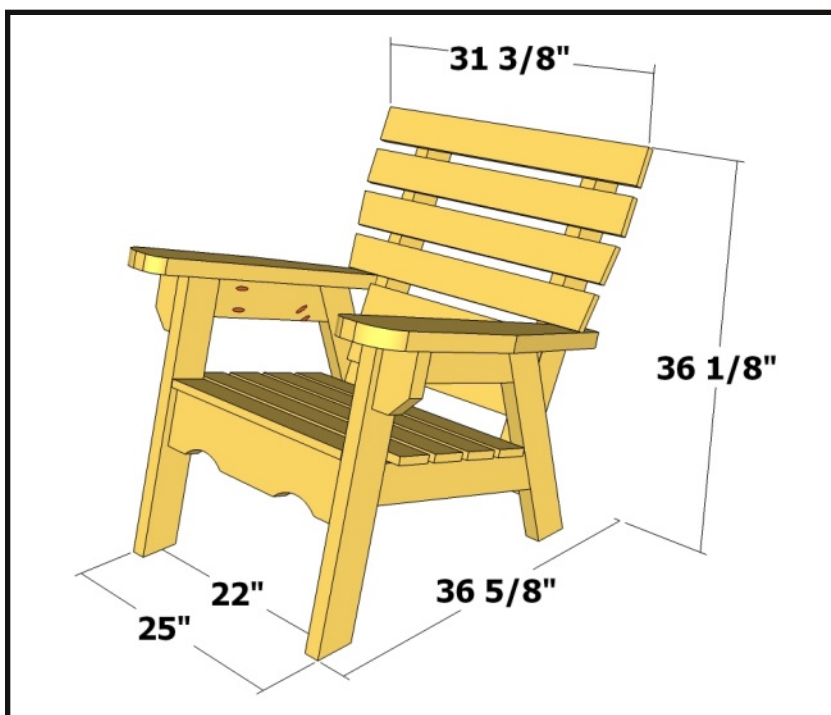
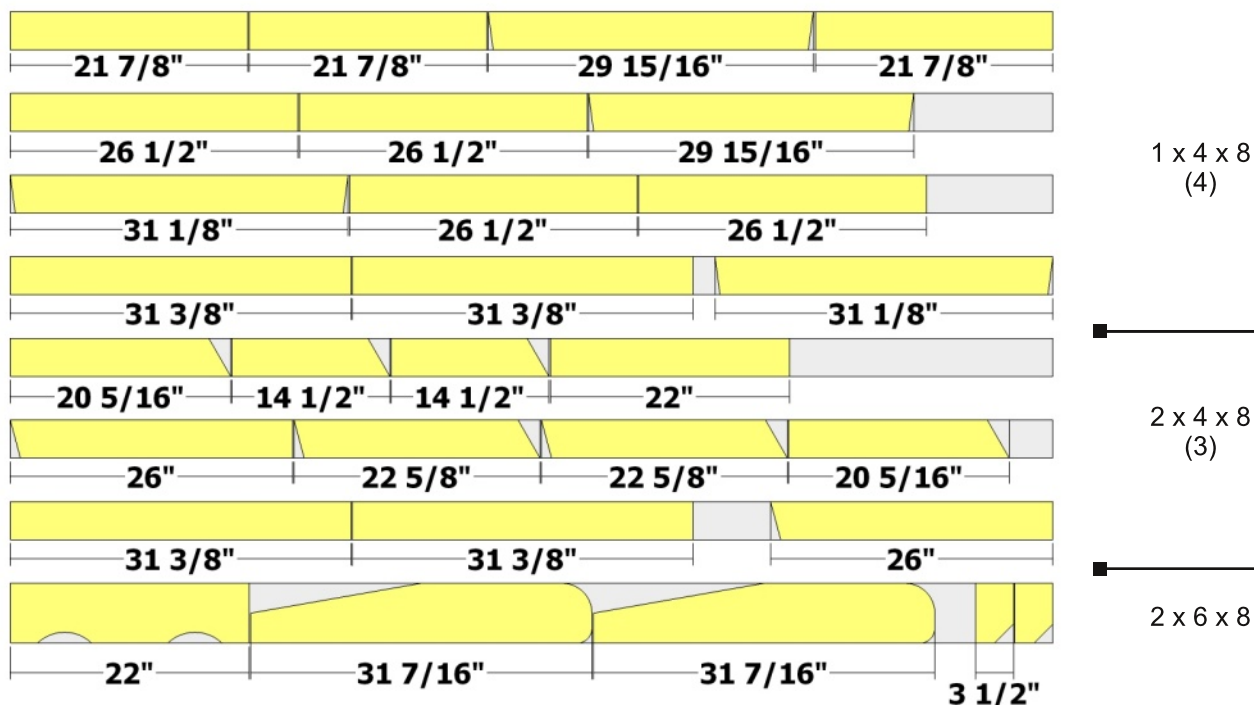


NOTE

Position the parts as shown and attach using glue and 1 1/4" pocket hole screws. Attach the **Mid Back Slat** First. Allow it to rest flush on the Arms while attaching.



 **CUTTING DIAGRAM**



PARTS

- Back Legs (2) - 1 1/2 x 3 1/2 x 22 5/8
- Front Legs (2) - 1 1/2 x 3 1/2 x 26
- Top Side Rails (2) - 1 1/2 x 3 1/2 x 14 1/2
- Bottom Side Rails (2) - 1 1/2 x 3 1/2 x 20 5/16
- Front Rail (1) - 1 1/2 x 5 1/2 x 22
- Back Rail (1) - 1 1/2 x 3 1/2 x 22
- Back Supports (2) - 1 1/2 x 3 1/2 x 31 3/8
- Brackets (2) - 1 1/2 x 5 1/2 x 3 1/2
- Arms (2) - 1 1/2 x 5 1/2 x 31 7/16
- Front Seat Slat (1) - 3/4 x 3 1/2 x 21 7/8
- Seat Slats (4) - 3/4 x 3 1/2 x 26 1/2
- Mid Back Slat (1) - 3/4 x 3 1/2 x 29 15/16
- Bottom Back Slats (2) - 3/4 x 3 1/2 x 21 7/8
- Top Mid Back Slat (1) - 3/4 x 3 1/2 x 31 1/8
- Top Back Slats (2) - 3/4 x 3 1/2 x 31 3/8

All parts are listed in actual dimensions. Refer to the Cutting Diagram on the last page of this plan as a guide for determining the specific board from which to cut the parts.

TAKE CARE!

Follow ALL SAFETY GUIDELINES AND RECOMMENDATIONS provided by the manufacturers of your tools, and any chemicals such as glue and finishes you use in this project. YOU are responsible for your safety, so use common sense when working in the shop!