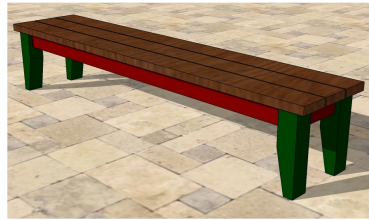




PARTS

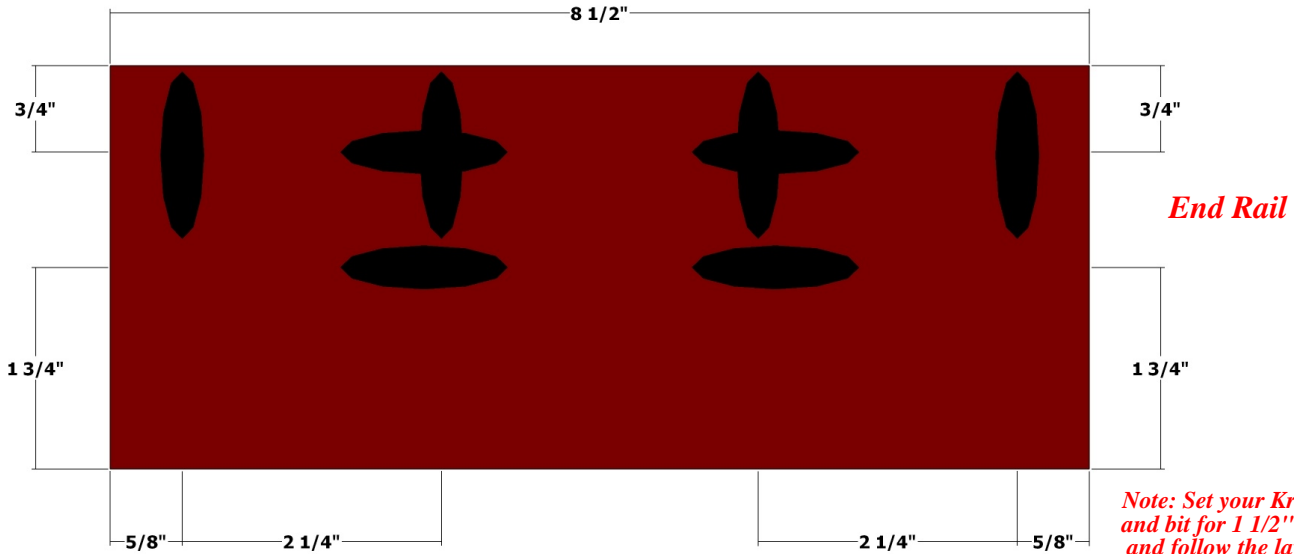
- End Rails (2) - 1 1/2 x 3 1/2 x 8 1/2
- Legs (4) - 3 1/2 x 3 1/2 x 14 1/2
- Side Rails (2) - 1 1/2 x 3 1/2 x 73
- Stretchers (3) - 1 1/2 x 3 1/2 x 10 1/2
- Seat Slats (3) - 1 1/2 x 5 1/2 x 83



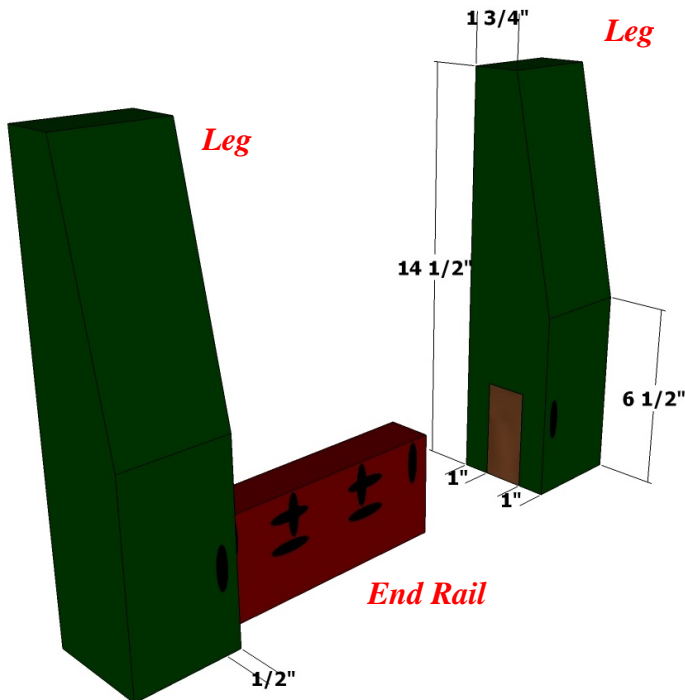
LUMBER

- 1 - 4 x 4 x 8
- 3 - 2 x 6 x 8
- 2 - 2 x 4 x 8

**SIMPLE WOODWORKING:
FAMILY OUTDOOR BENCH**



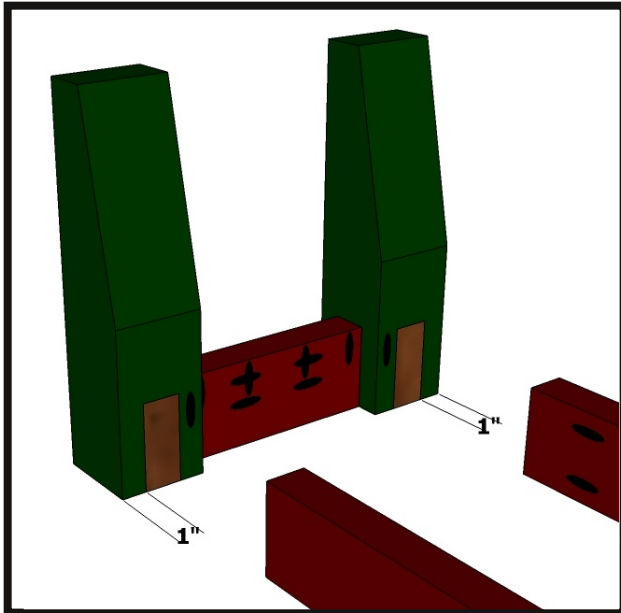
Note: Set your Kreg jig and bit for 1 1/2" stock and follow the layouts as shown for pocket hole placement.



ABOVE: Use the layout as a guide to drill pocket holes in both End Rails.

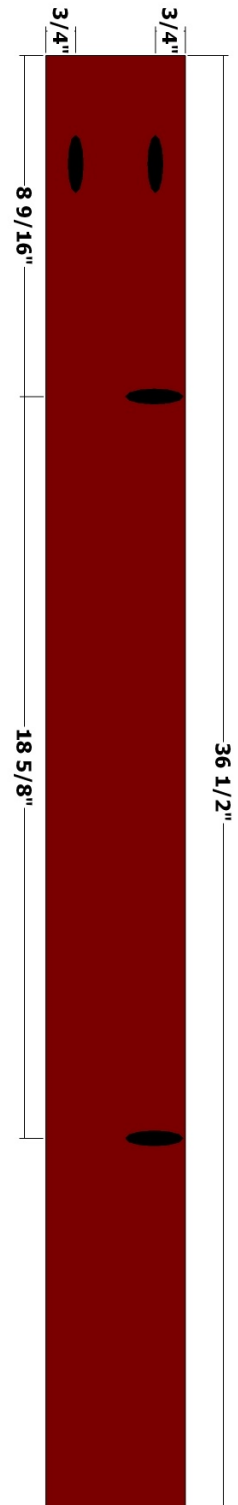
LEFT: Use the layout at left for cutting the Legs to size and shape. Drill pocket holes as shown on one end of the Leg (this will be the top of the leg in final assembly).

Position the End Rails flush with the end and 1" from the edge of the face with the angle cut on the Legs as shown, and attach using glue and 2 1/2" pocket hole screws (PHS).

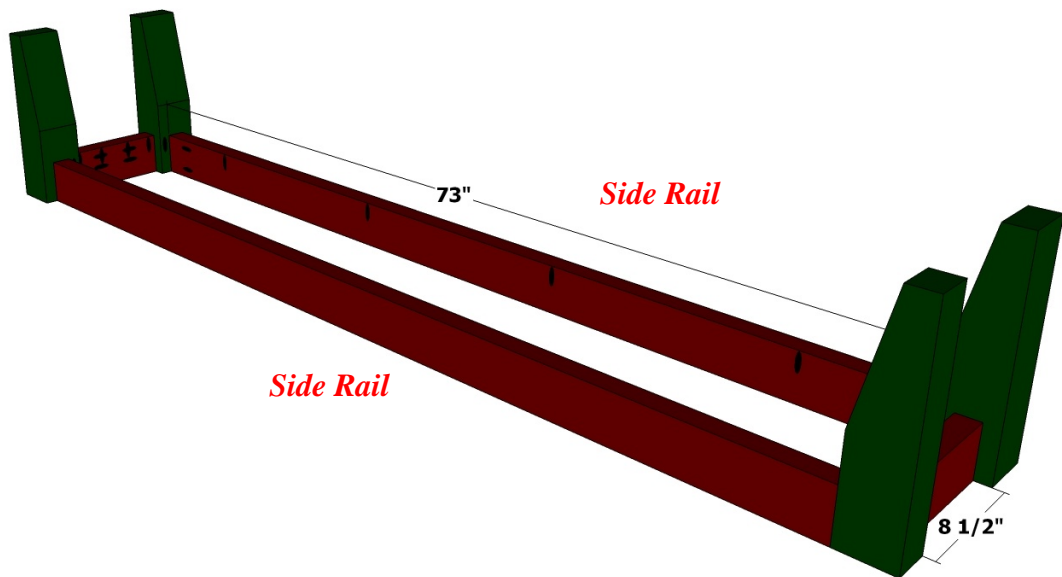


Use the layout at right as a guide to drill pocket holes in both Side Rails. Only half of the Side Rail is shown - be sure to repeat the pocket holes on the other half.

Side Rail

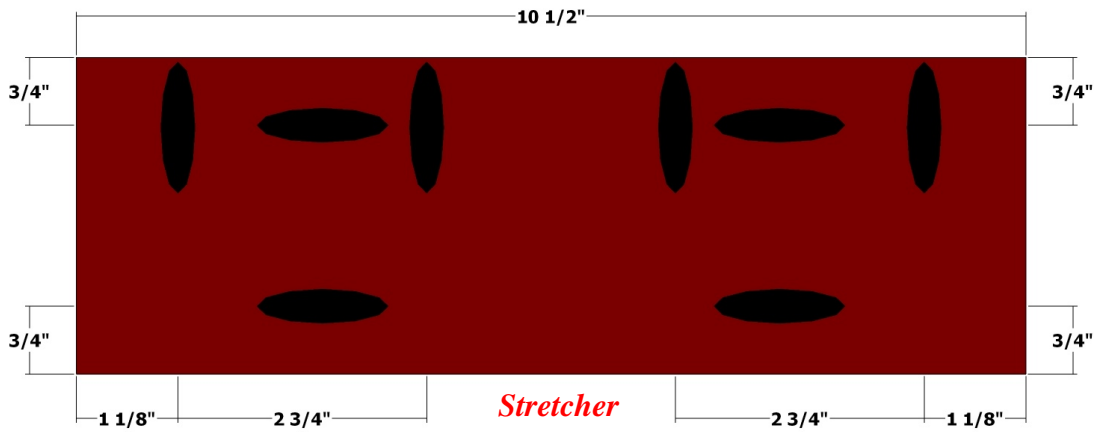


Position the Side Rails flush with the end and 1" from edge of the face of the Legs as shown, and attach using glue and 2 1/2" (PHS). Attach the other End Assembly to the other side of the Side Rails.

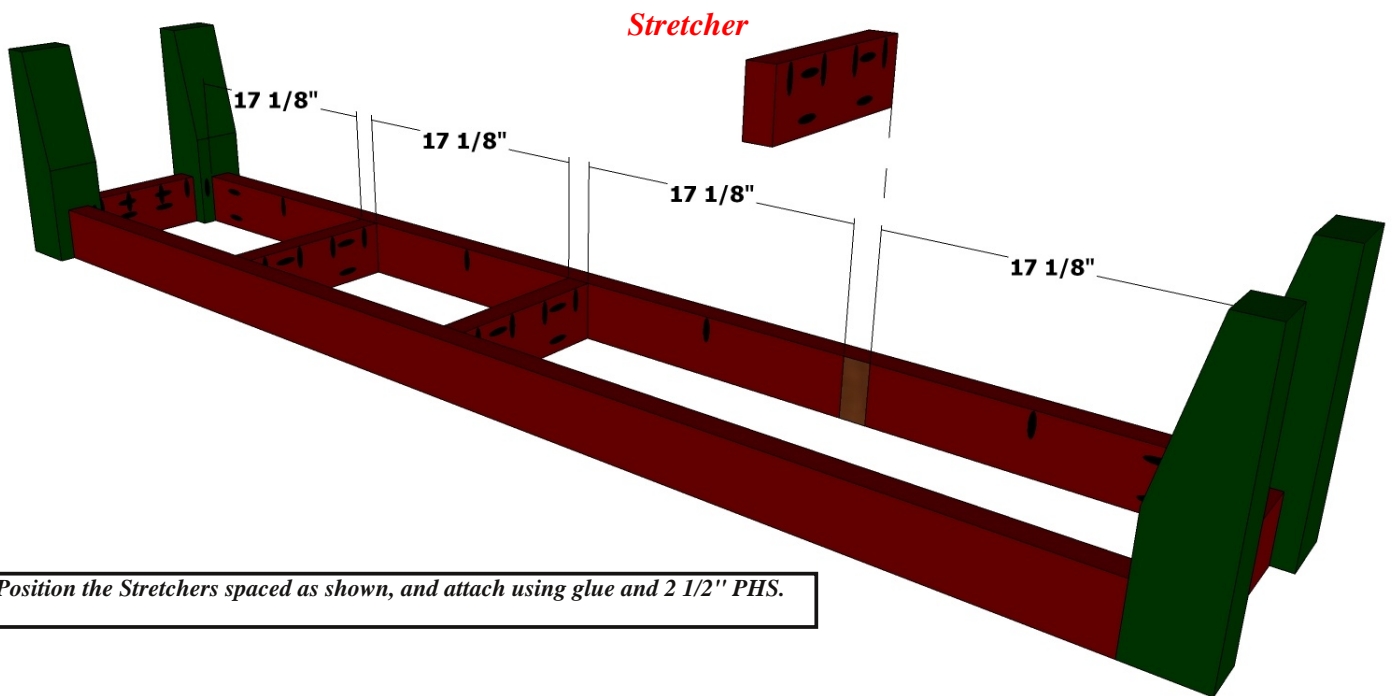


Side Rail

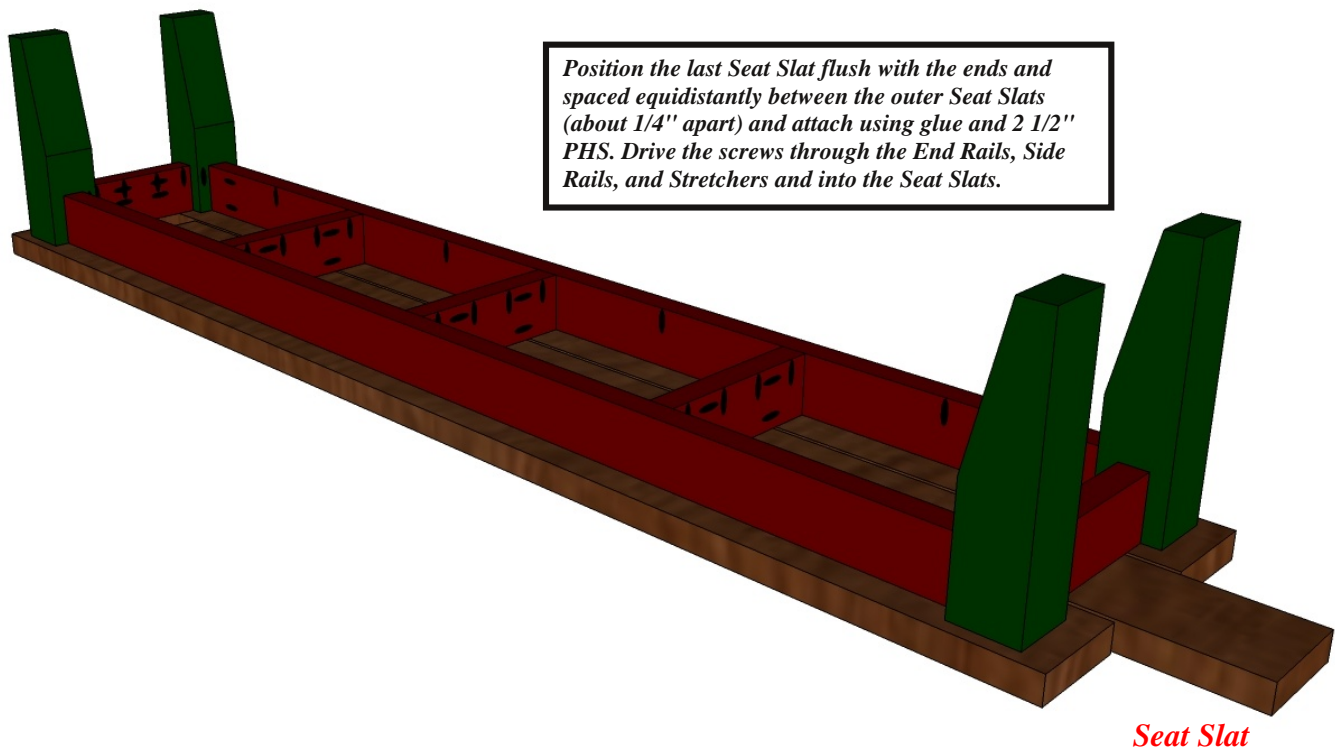
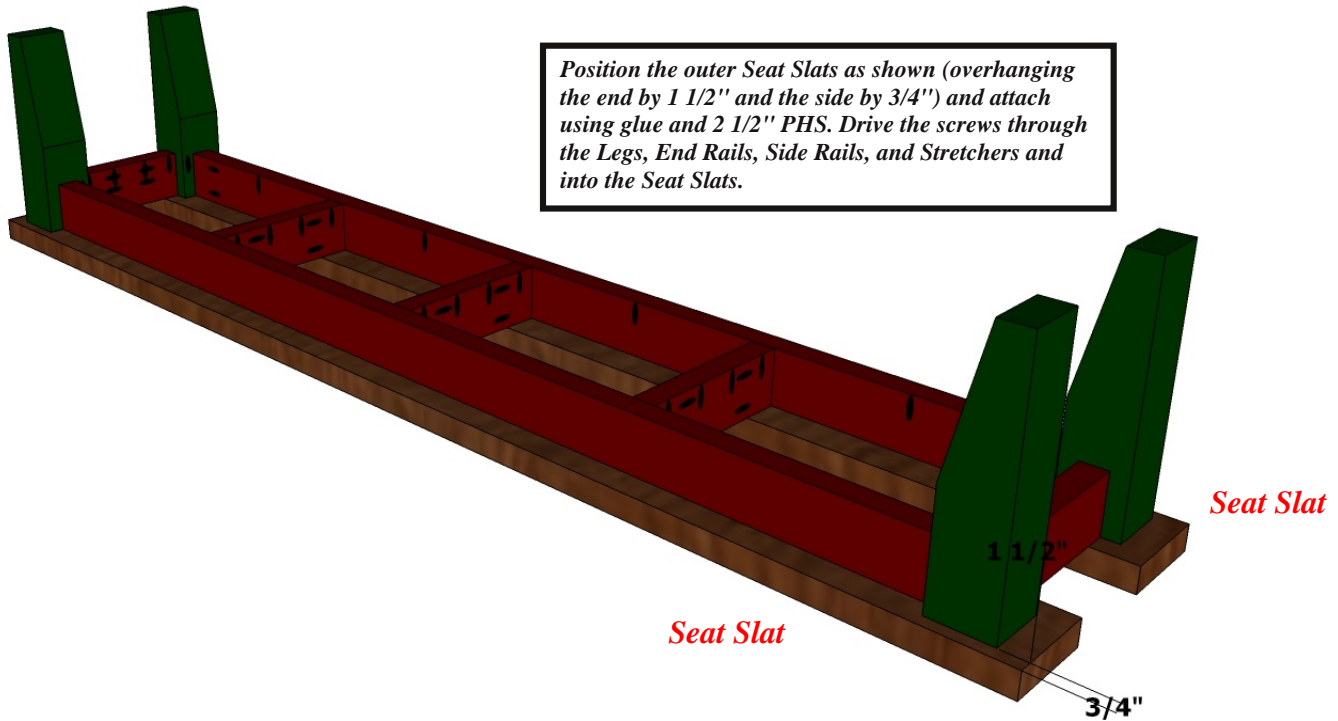
Side Rail



Use the layout above as a guide to drill pocket holes in the Stretchers.



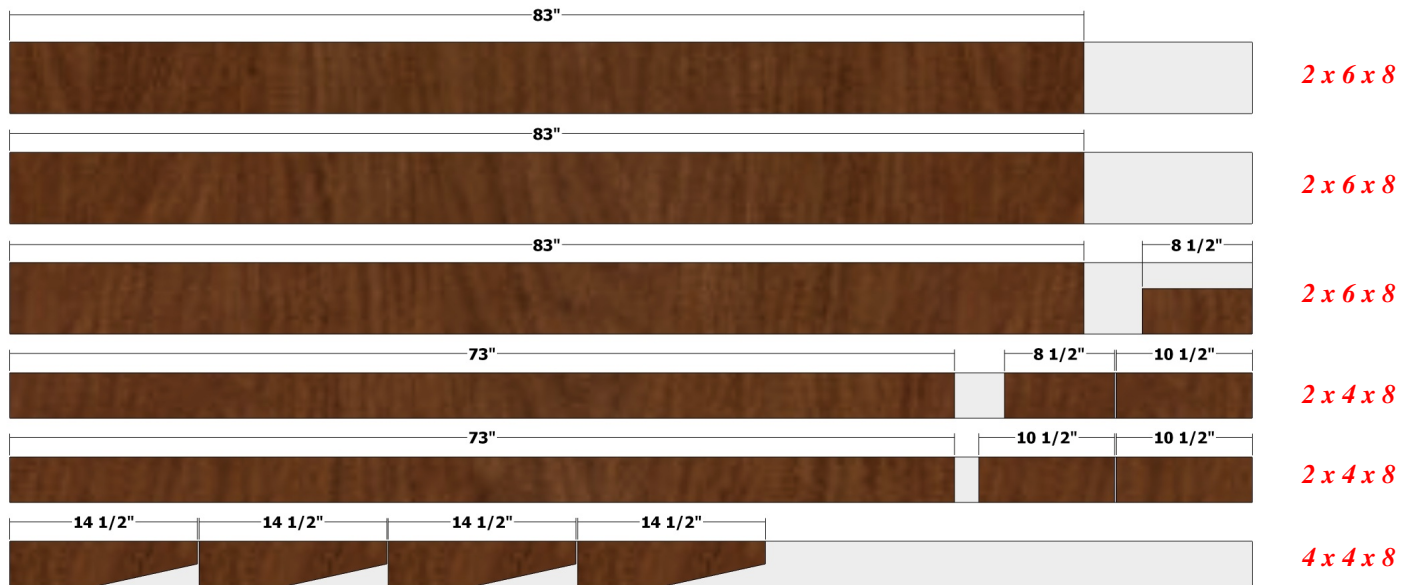
Position the Stretchers spaced as shown, and attach using glue and 2 1/2" PHS.





CUTTING DIAGRAM

Note: Use cedar or redwood for the 2 x material, and treated, cedar, or redwood for the 4 x material.



Follow ALL SAFETY GUIDELINES AND RECOMMENDATIONS provided by the manufacturers of your tools, and any chemicals such as glue and finishes you use in this project. YOU are responsible for your safety, so use common sense when working in the shop!

