

# CHIEF'S SHOP PLAN OF THE WEEK



## ERGONOMIC HERB PLANTER




### ABOUT THESE PLANS


On this first page you will see above the project complete. On one of the last two pages you'll find the finished outer dimensions. Be sure to read ALL of the project steps before you start.


To the right is a list of the Lumber, Hardware/Supplies, and Tools you will need to complete this project. A measuring tape and pencil are not included because that should be pretty standard and self explanatory.

Below What You'll Need is the Parts list. This also is included on the Cutting Diagram page, which is the last page of this plan document. Also on the Cutting Diagram page is an estimate of the cost of the lumber. This estimate doesn't include any other supplies and does not factor in sales tax.

Throughout these plans you'll find the icons below:


 **LAYOUT** This indicates a diagram detailing the dimensions of a project part and/or the placement for pocket holes, screws, nails, etc.

 **NOTE** Notes are the instructions for a particular step/section of the project.

 **TAKE CARE!** This indicates when to pay close attention to the diagrams, take precautions for safety, etc.

 **MORE PLANS**  
 Want more Chief's Shop plans? Visit [chiefs-shop.com](http://chiefs-shop.com) and look through the Plans section.  
 Be sure to "Like" Chief's Shop on facebook by heading over to [facebook.com/ChiefsShop](https://www.facebook.com/ChiefsShop).



 **VIDEO?** Check out Chief's Shop Videos on YouTube. ([click here](#))

**WHAT YOU'LL NEED** 

**LUMBER**  
 1 - 1x4x8  
 1 - 1x6x8  
 2 - 2x2x8  
 2 - 2x4x8  
 4 - 2x8x8  
 3 - 4x4x8  
*(availability will vary)*

**HARDWARE/SUPPLIES**  
 Kreg 1 1/4" pocket hole screws  
 Kreg 2 1/2" pocket hole screws  
 2 1/2" deck screws  
 wood glue, wood filler,  
 pocket hole plugs, choice of finish

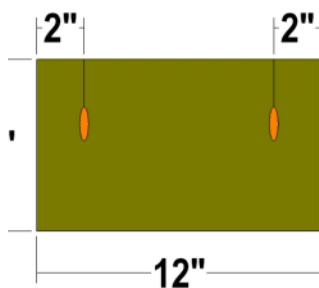
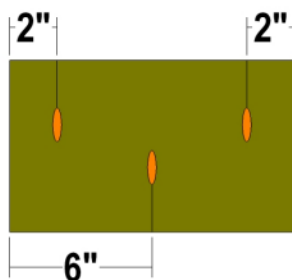
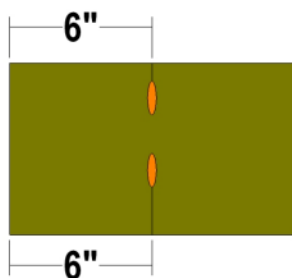
**TOOLS**  
 table saw, miter saw, jigsaw  
 sander/belt sander  
 drill/driver  
 Kreg Jig  
 clamps  
 square

 **PARTS** 

**end rails (6)** - 1 1/2 x 7 1/4 x 12  
**legs (4)** - 3 1/2 x 3 1/2 x 36  
**end supports (4)** - 1 1/2 x 1 1/2 x 17 1/4  
**footers (2)** - 3 1/2 x 3 1/2 x 26  
**feet (6)** - 1 1/2 x 3 1/2 x 3 1/2  
**end cleats (2)** - 1 1/2 x 1 1/2 x 12  
**side rails (6)** - 1 1/2 x 7 1/4 x 36  
**stretchers (3)** - 1 1/2 x 3 1/2 x 16  
**outer bottom slats (2)** - 1 1/2 x 3 1/2 x 40  
**thin bottom slats (2)** - 1 1/2 x 1 1/2 x 40  
**center bottom slat** - 1 1/2 x 5 1/2 x 40  
**end top trim (2)** - 3/4 x 4 1/2 x 14  
**side top trim (2)** - 3/4 x 3 1/2 x 45

All parts are listed in actual dimensions. Refer to the Cutting Diagram on the last page of this plan as a guide for determining the specific board from which to cut the parts.

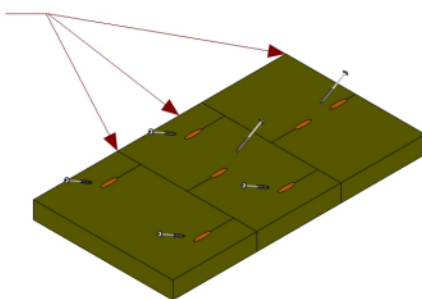
End Rails



NOTE

Use the layout for creating the End Rails. Set your Kreg Jig and drill bit for 3/4" stock for the top pocket hole on the top End Rail Layout and 1 1/2" stock for the remaining pocket holes.

End Rails



NOTE

Apply glue to the edges of the End Rails that will meet as shown in the positioning at left, position as shown, and attach using 2 1/2" pocket hole screws.

**Leg**



(drill holes on opposing faces for each Leg)

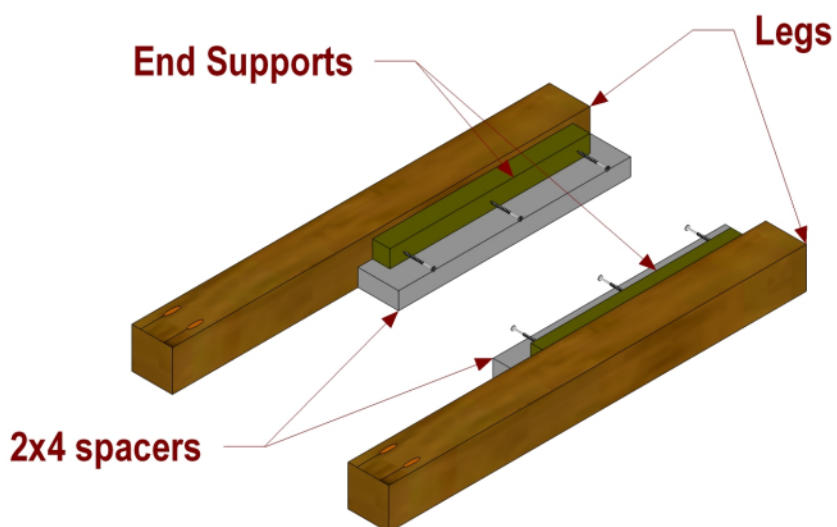


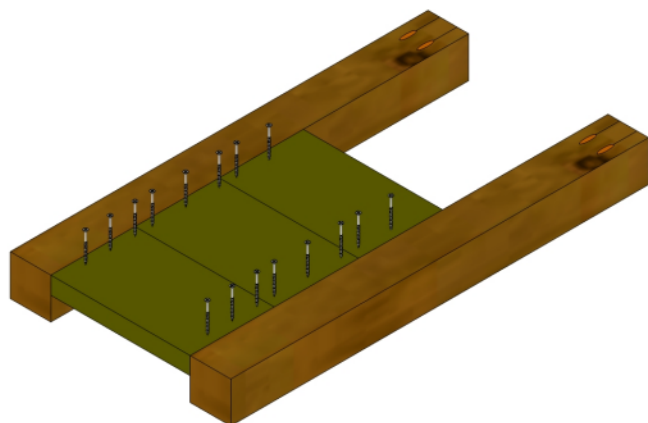
**NOTE**

Use the layout for creating the Legs. Set your Kreg Jig and drill bit for 1 1/2" stock for the pocket holes. Drill holes from one layout on one face and holes from the other layout on the opposing face.

**NOTE**

Position the End Supports as shown at right, 1 1/2" from the top end (the end without pocket holes) and resting on scrap 2x4 used as spacers. Attach using 2 1/2" deck screws. Create four assemblies in total, two of each configuration.



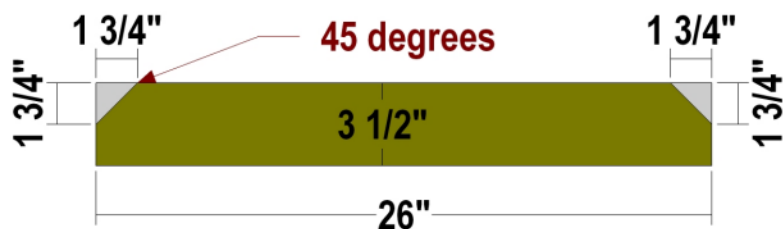


## NOTE

Position the End Rail assemblies as shown at left and attach to the End Supports using 2 1/2" deck screws.

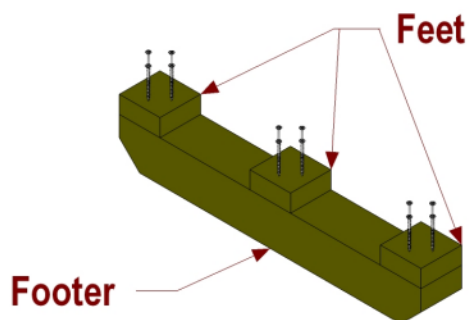
## Footer

## LAYOUT



## NOTE

Use the layout for creating the Footers.

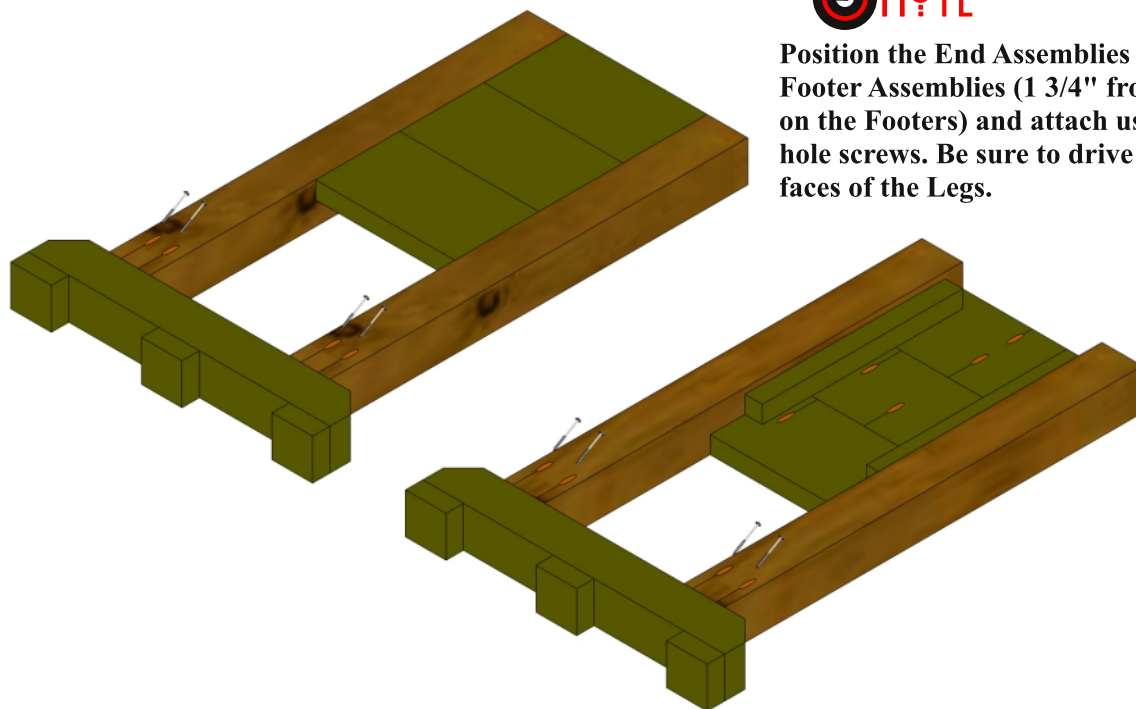


## NOTE

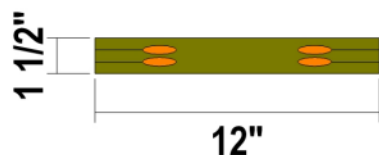
Position the Feet as shown at left and attach to the Footers using 2 1/2" deck screws.

**NOTE**

Position the End Assemblies centered on the Footer Assemblies (1 3/4" from the 45-degree cut on the Footers) and attach using 2 1/2" pocket hole screws. Be sure to drive the screws on both faces of the Legs.



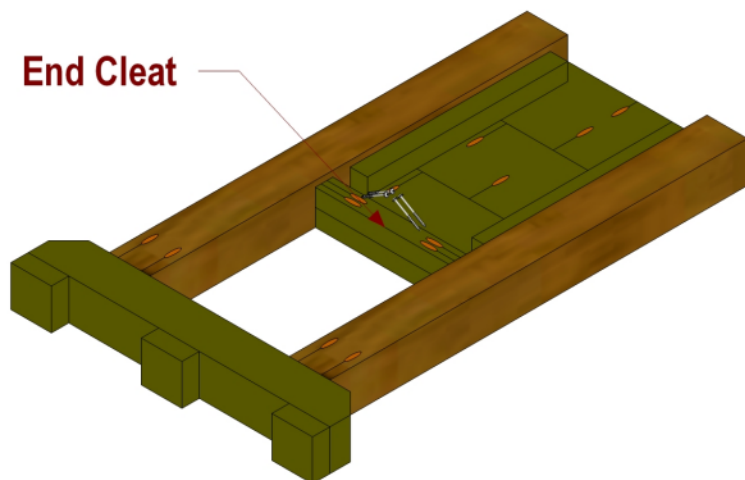
**End Cleat**



**LAYOUT**

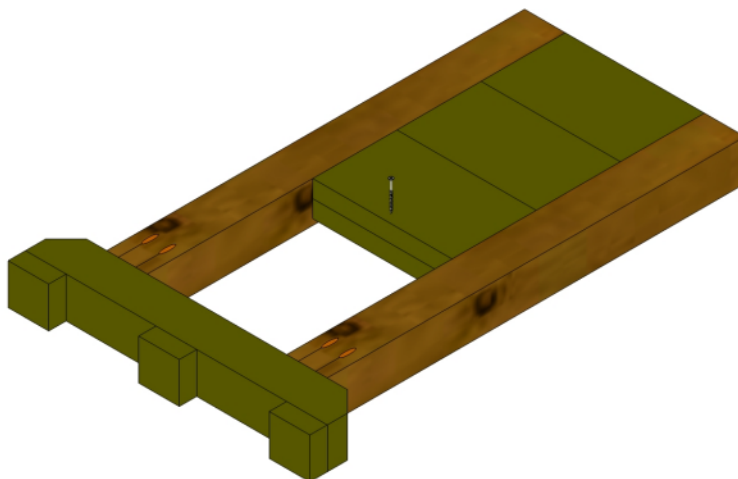
**NOTE**

Use the layout to create the End Cleats. Set your Kreg Jig and drill bit for 1 1/2" stock for the pocket holes.

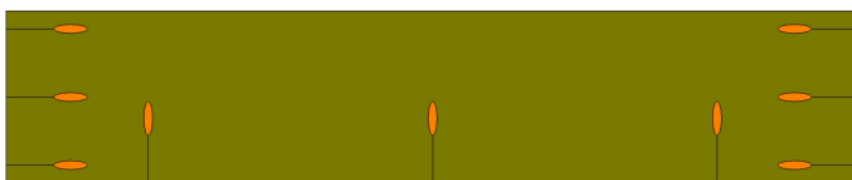
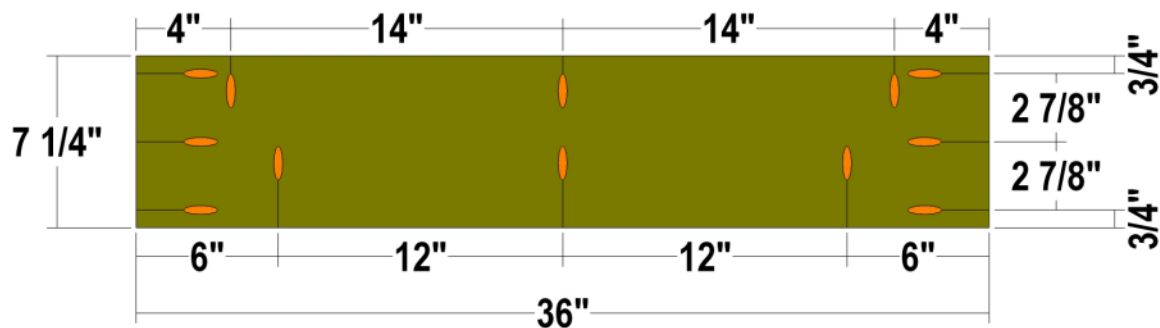


 **NOTE**

Apply glue to the face of the End Cleat without pocket hole screws, position as shown at left, and attach to the Legs using 2 1/2" pocket hole screws. Flip over the assembly and drive a 2 1/2" screws through the bottom End Rail and into the End Cleat. Repeat on the other End Assembly.



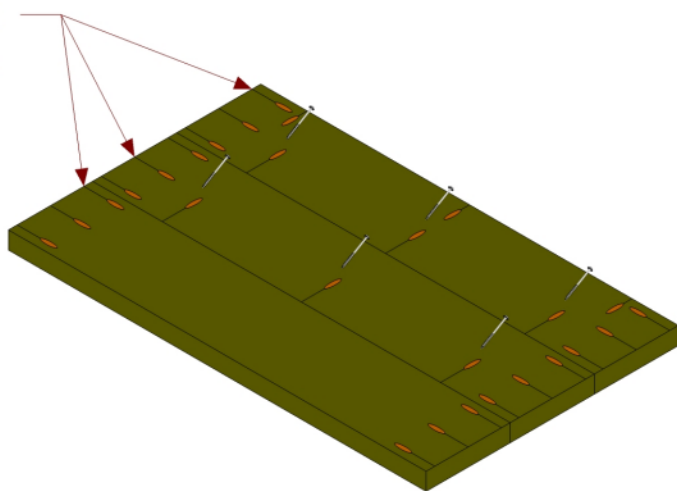
Side Rails



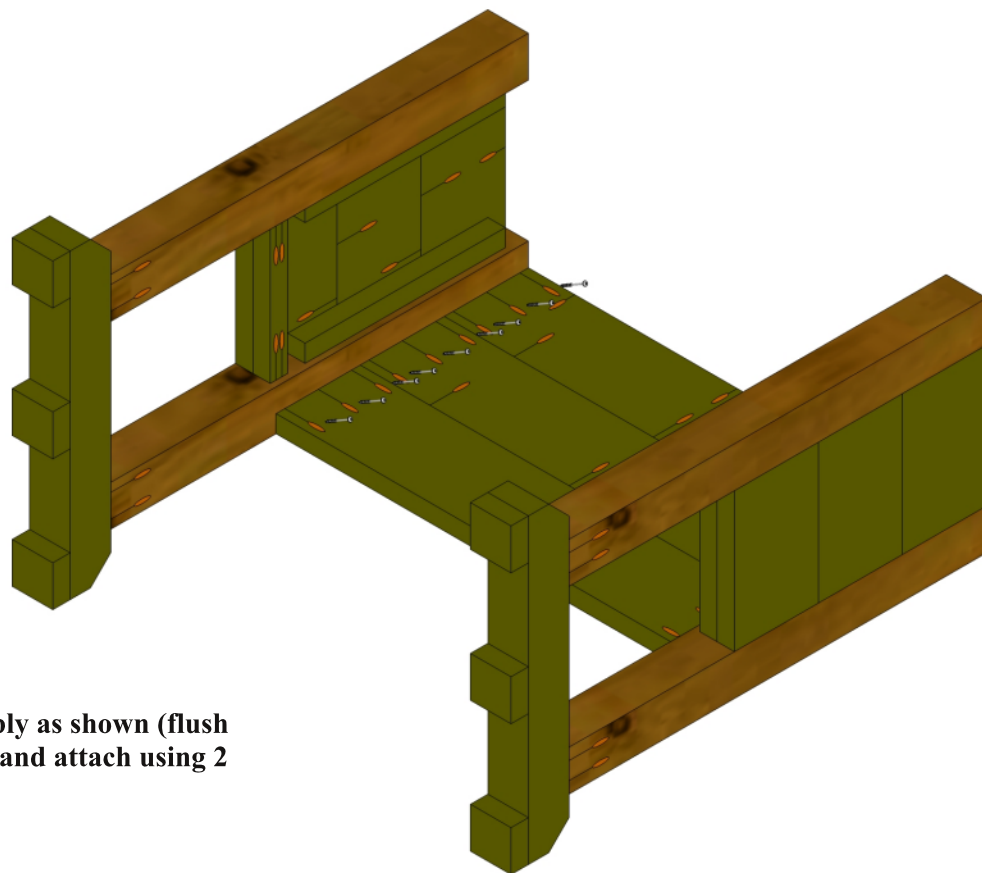
NOTE

Use the layout for creating the Side Rails.  
 Set your Kreg Jig and drill bit for 3/4" stock for the top pocket hole on the top Side Rail Layout and 1 1/2" stock for the remaining pocket holes.

Side Rails



Apply glue to the edges of the Side Rails that will meet as shown in the positioning at left, position as shown, and attach using 2 1/2" pocket hole screws.



Position one Side Rail assembly as shown (flush with the top end of the Legs) and attach using 2 1/2" pocket hole screws.



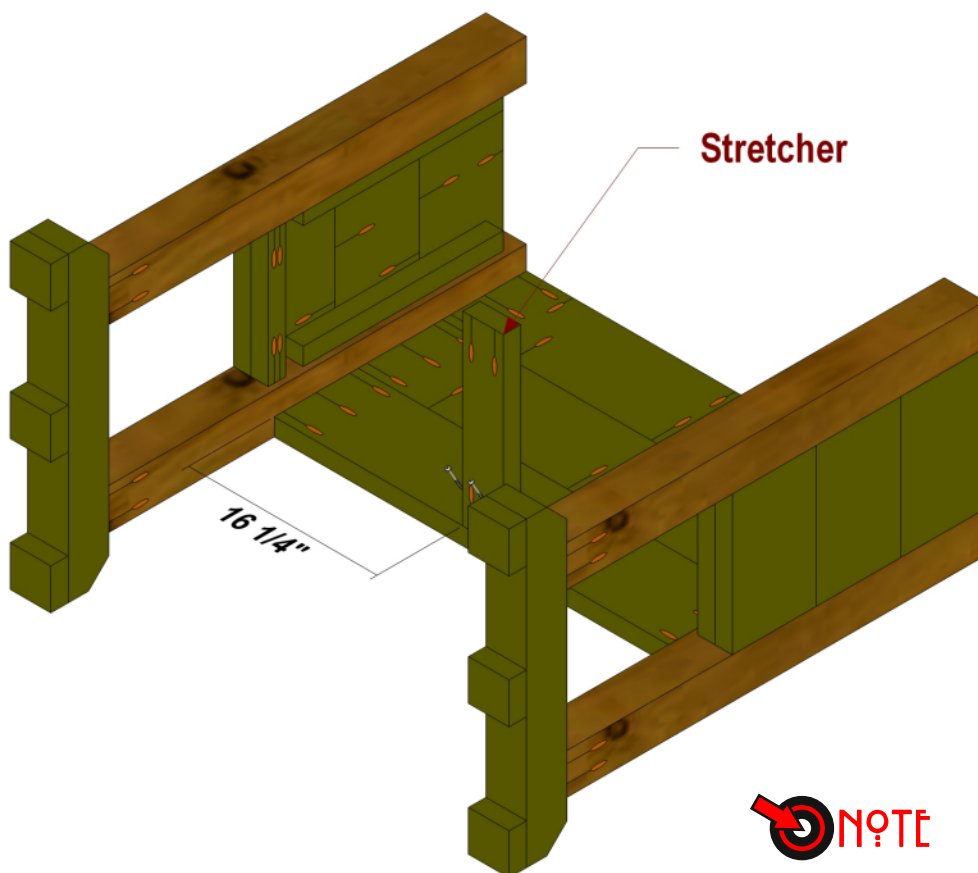
**Stretcher**

**LAYOUT**



**NOTE**

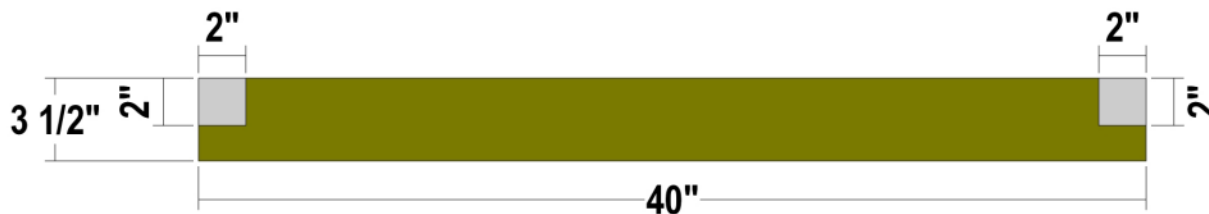
Use the layout for creating the Stretchers. Set your Kreg Jig and drill bit for 1 1/2" stock for the pocket holes.



**NOTE**

Position one Stretcher centered on the bottom Side Rail as shown, and attach using 2 1/2" pocket hole screws.

Outer Bottom Slat

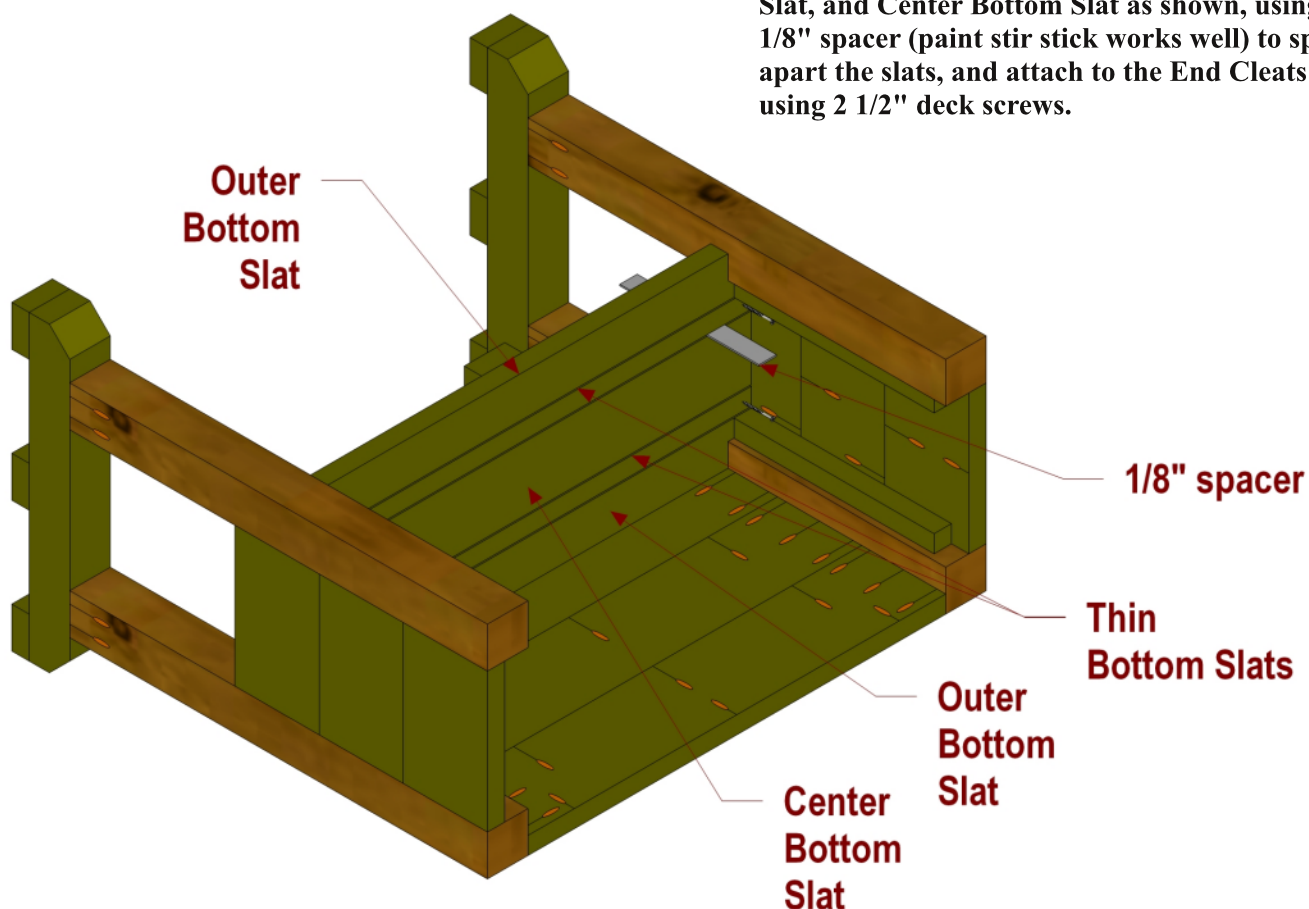


NOTE

Use the layout for creating the two Outer Bottom Slats.

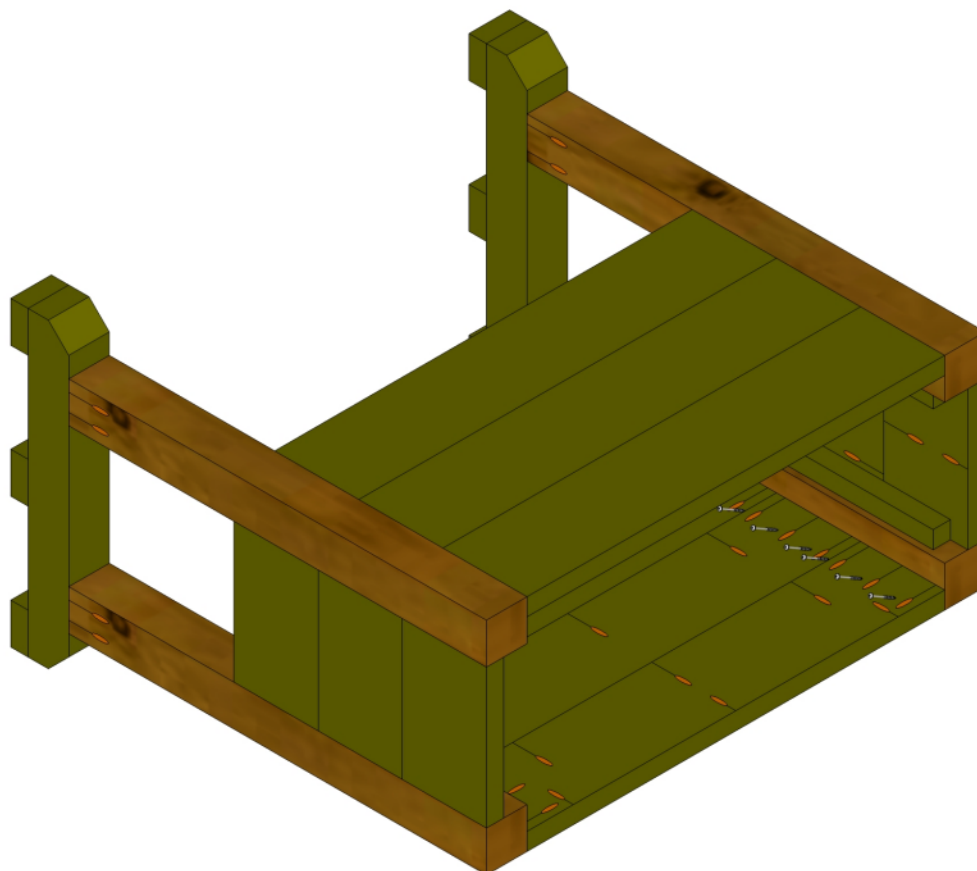
NOTE

Position the Outer Bottom Slats, Thin Bottom Slat, and Center Bottom Slat as shown, using a 1/8" spacer (paint stir stick works well) to space apart the slats, and attach to the End Cleats using 2 1/2" deck screws.



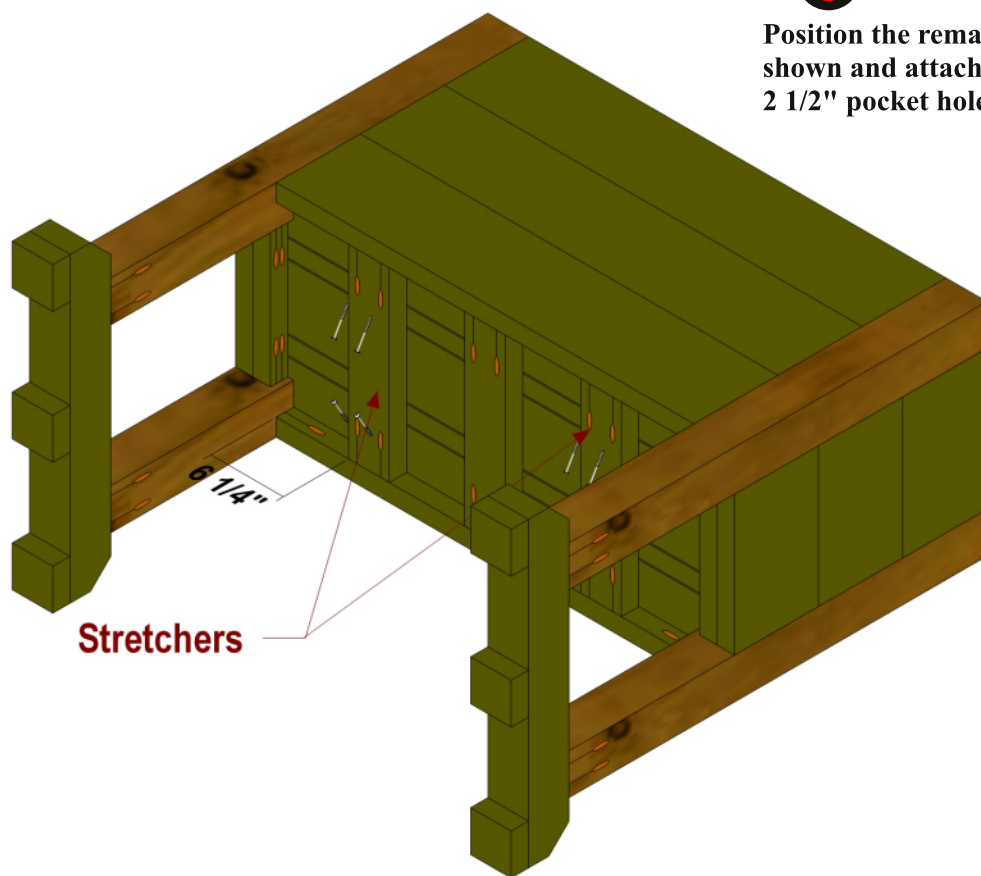
## NOTE

Position the remaining Side Rail assembly in place as shown and attach to the Legs using 2 1/2" pocket hole screws.



**NOTE**

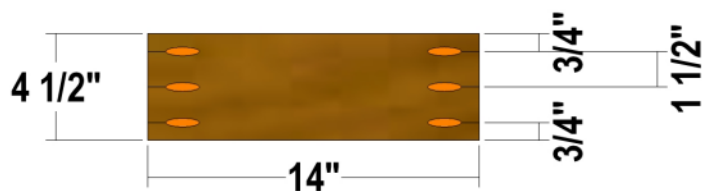
Position the remaining Stretchers in place as shown and attach to the bottom Side Rails using 2 1/2" pocket hole screws.



Stretchers

**End Top Trim**

**LAYOUT**

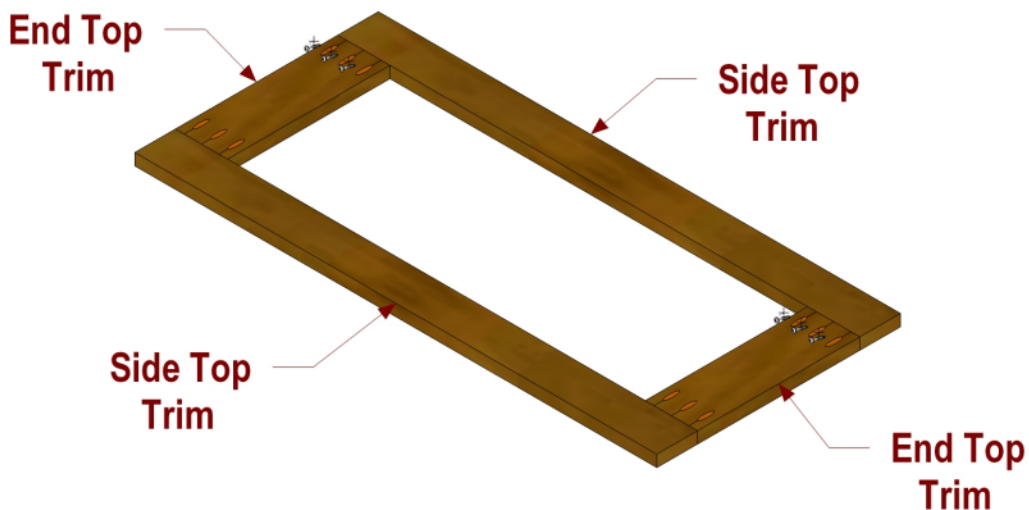


**NOTE**

Use the layout for creating the two End Top Trim parts. Set your Kreg Jig and drill bit for 3/4" stock for the pocket holes.

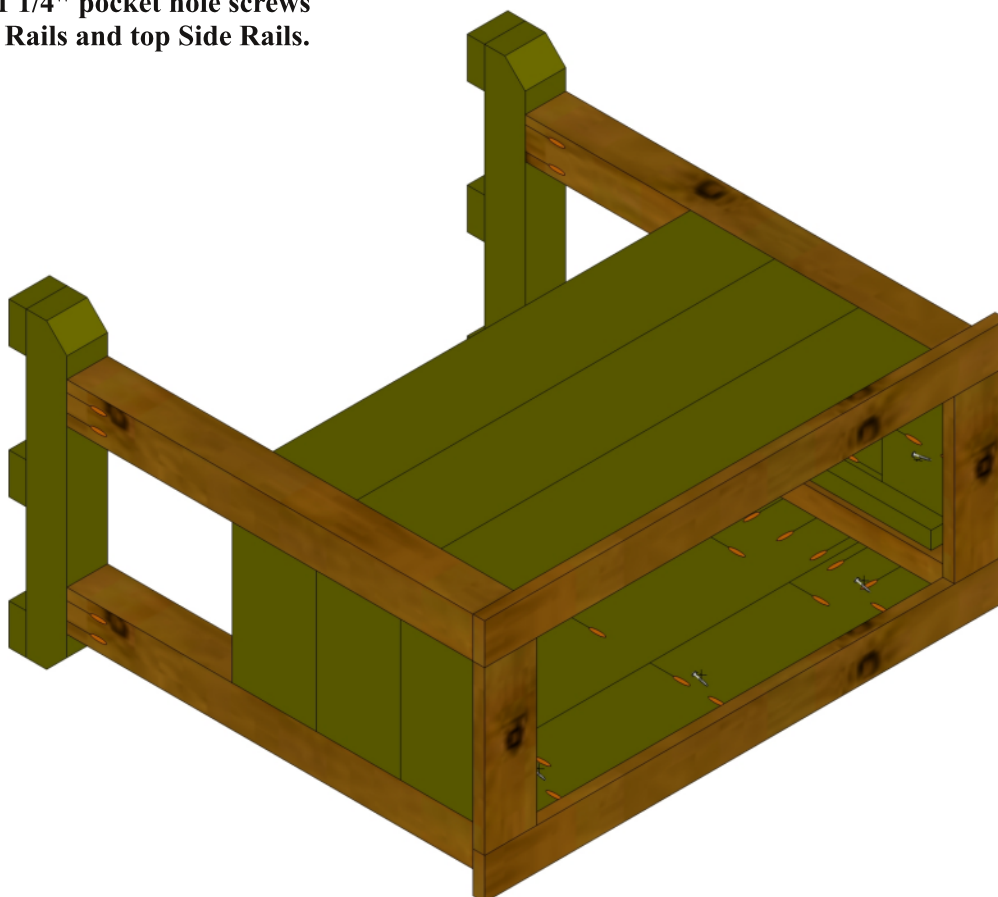
**NOTE**

Position the End Top Trim parts and Side Top Trim parts as shown at right, and attach using 1 1/4" pocket hole screws.



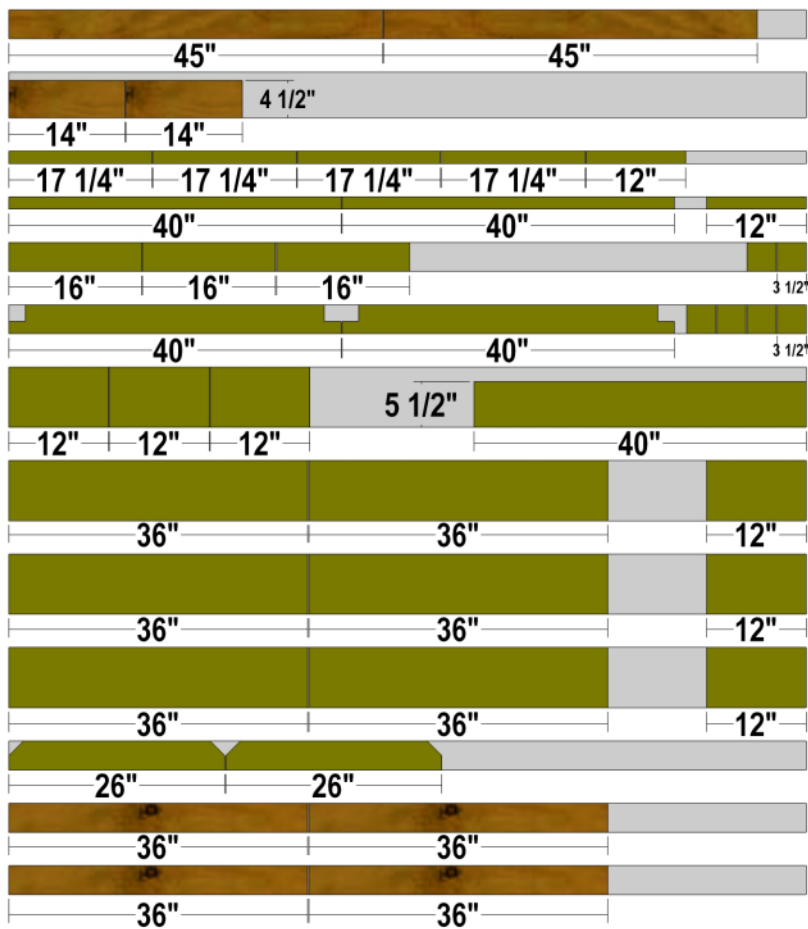
**NOTE**

Position the Top Trim assembly centered on the assembly, and attach using 1 1/4" pocket hole screws driven through the top End Rails and top Side Rails.





**CUTTING DIAGRAM**



**1x4x8**

**1x6x8**

**2x2x8  
(2)**

**2x4x8  
(2)**

**2x8x8  
(4)**

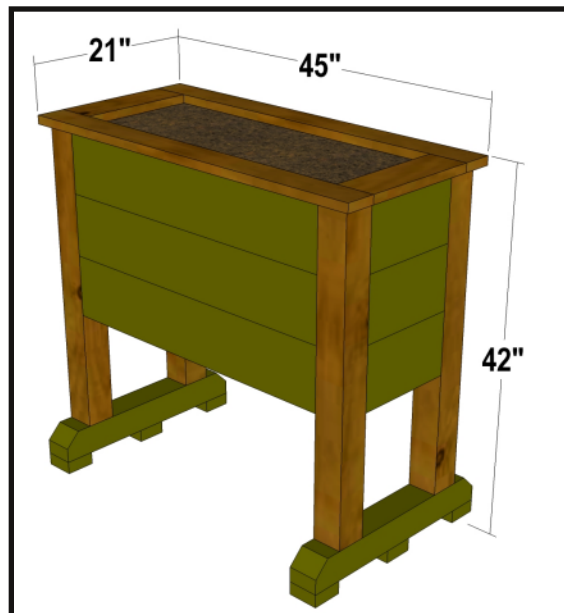
**4x4x8  
(3)**

Estimated lumber cost:  
starting at \$85 for one

**PARTS**

- end rails (6) - 1 1/2 x 7 1/4 x 12
- legs (4) - 3 1/2 x 3 1/2 x 36
- end supports (4) - 1 1/2 x 1 1/2 x 17 1/4
- footers (2) - 3 1/2 x 3 1/2 x 26
- feet (6) - 1 1/2 x 3 1/2 x 3 1/2
- end cleats (2) - 1 1/2 x 1 1/2 x 12
- side rails (6) - 1 1/2 x 7 1/4 x 36
- stretchers (3) - 1 1/2 x 3 1/2 x 16
- outer bottom slats (2) - 1 1/2 x 3 1/2 x 40
- thin bottom slats (2) - 1 1/2 x 1 1/2 x 40
- center bottom slat - 1 1/2 x 5 1/2 x 40
- end top trim (2) - 3/4 x 4 1/2 x 14
- side top trim (2) - 3/4 x 3 1/2 x 45

*All parts are listed in actual dimensions. Refer to the Cutting Diagram on the last page of this plan as a guide for determining the specific board from which to cut the parts.*



**TAKE CARE!**

Follow ALL SAFETY GUIDELINES AND RECOMMENDATIONS provided by the manufacturers of your tools, and any chemicals such as glue and finishes you use in this project. YOU are responsible for your safety, so use common sense when working in the shop!