

CHIEF'S SHOP PLAN OF THE WEEK



DECK CHAIR



WHAT YOU'LL NEED

LUMBER
 5 - 2x4x8
 4 - 1x4x8
(availability will vary)

HARDWARE/SUPPLIES
 Kreg 2 1/2" pocket hole screws
 2 1/2" deck screws
 Kreg 1 1/4" pocket hole screws
 1 1/4" deck screws
 wood glue, wood filler,
 pocket hole plugs, choice of finish

TOOLS
 miter saw, jigsaw
 sander
 drill/driver with right-angle attachment
 Kreg Jig
 clamps
 square

ABOUT THESE PLANS


On this first page you will see above the project complete. On one of the last two pages you'll find the finished outer dimensions. Be sure to read ALL of the project steps before you start.


To the right is a list of the Lumber, Hardware/Supplies, and Tools you will need to complete this project. A measuring tape and pencil are not included because that should be pretty standard and self explanatory.

Below What You'll Need is the Parts list. This also is included on the Cutting Diagram page, which is the last page of this plan document. Also on the Cutting Diagram page is an estimate of the cost of the lumber. This estimate doesn't include any other supplies and does not factor in sales tax.

Throughout these plans you'll find the icons below:

 **LAYOUT** This indicates a diagram detailing the dimensions of a project part and/or the placement for pocket holes, screws, nails, etc.

 **NOTE** Notes are the instructions for a particular step/section of the project.

 **TAKE CARE!** This indicates when to pay close attention to the diagrams, take precautions for safety, etc.

 **MORE PLANS**

Want more Chief's Shop plans? Visit chiefs-shop.com and look through the Plans section.
 Be sure to "Like" Chief's Shop on facebook by heading over to facebook.com/ChiefsShop.

 **NOTE**
 Apply glue to all mating parts.

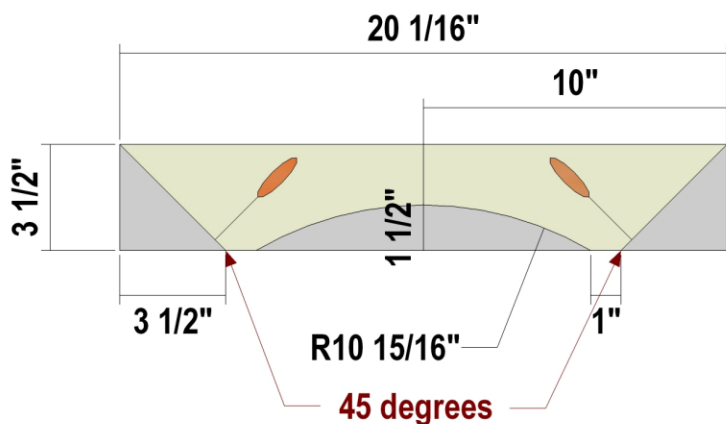
PARTS

top side rails (2) - 1 1/2 x 3 1/2 x 20 1/16
 stiles (4) - 1 1/2 x 3 1/2 x 20 1/16
 lower cross braces (2) -
 1 1/2 x 3 1/2 x 14 3/16
 long braces (2) - 1 1/2 x 3 1/2 x 33 5/8
 upper cross braces (2) -
 1 1/2 x 3 1/2 x 15 15/16
 end rails (2) - 1 1/2 x 3 1/2 x 22
 stretcher (1) - 1 1/2 x 3 1/2 x 22
 side rails (2) - 1 1/2 x 3 1/2 x 24
 platforms (2) - 1 1/2 x 1 1/2 x 9 3/4
 back supports (2) - 1 1/2 x 3 1/2 x 22 1/2
 seat slats (5) - 3/4 x 3 1/2 x 24
 back slats (5) - 3/4 x 3 1/2 x 24
 back rail (1) - 1 1/2 x 3 1/2 x 18
 arm rests (2) - 3/4 x 3 1/2 x 26

All parts are listed in actual dimensions. Refer to the Cutting Diagram on the last page of this plan as a guide for determining the specific board from which to cut the parts.

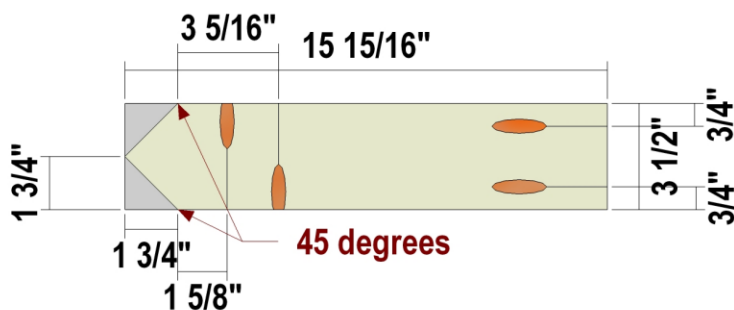
 **VIDEO?** Check out Chief's Shop Videos on YouTube. ([click here](#))

Top Side Rail/Stiles

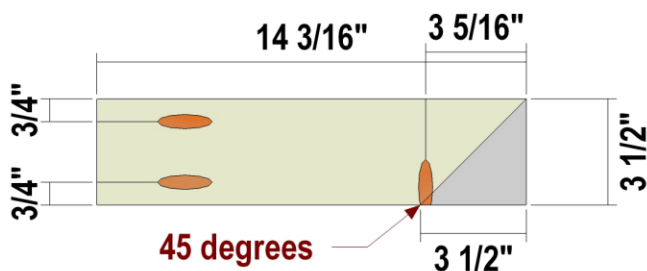


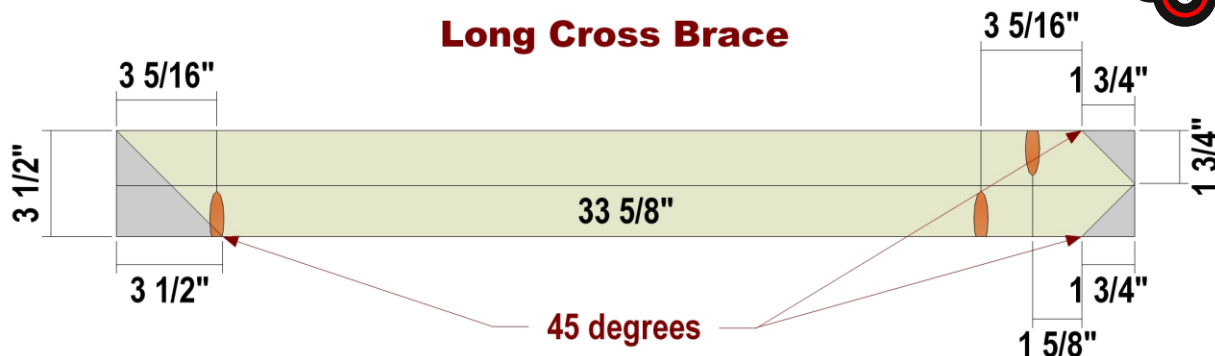
NOTE
Use the layouts for creating the Top Side Rails, Stiles, Upper Cross Braces, and Lower Cross Braces. Set your Kreg Jig and drill bit for 1 1/2" **tock** for the pocket holes.

Upper Cross Brace



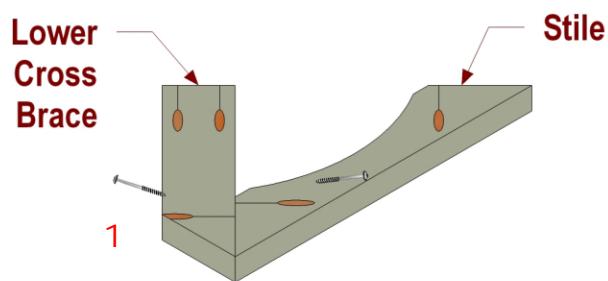
Lower Cross Brace





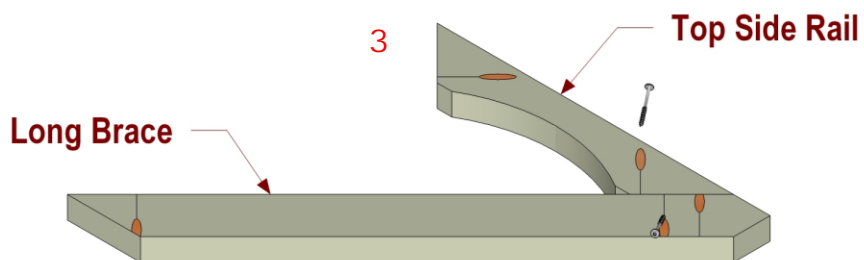
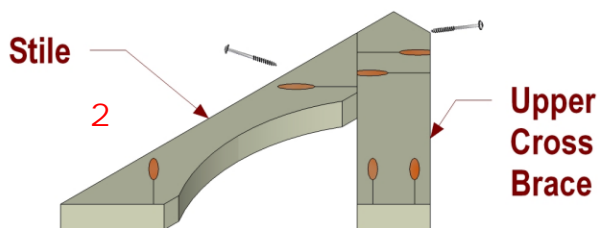
NOTE

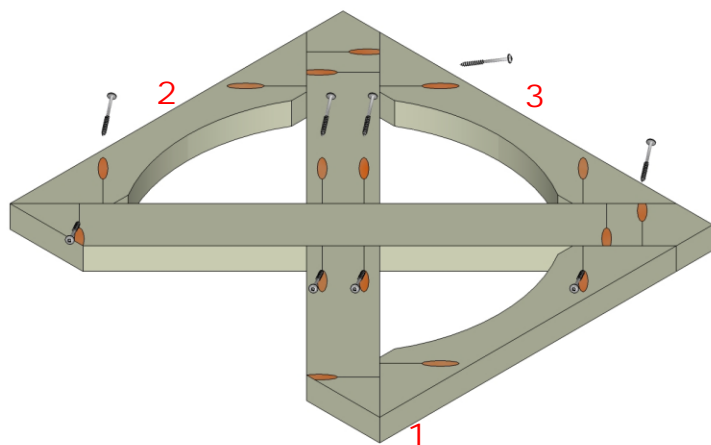
Use the layout for creating the Long Cross Brace. Set your Kreg Jig and drill bit for 1 1/2" stock for the pocket holes.



NOTE

Position the parts as shown, one assembly at a time, and attach using 2 1/2" pocket hole screws. Create two of each assembly.



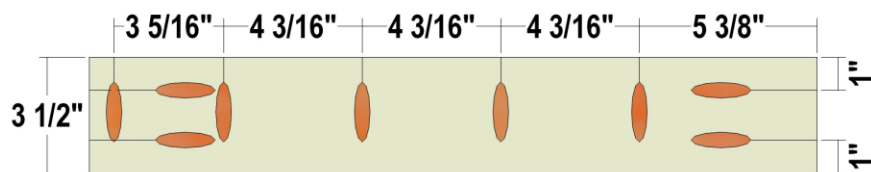
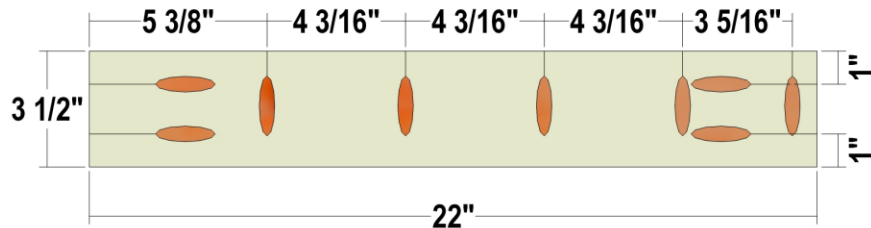


NOTE

Position the **three** previous assemblies together as shown, and attach using 2 1/2" pocket hole screws. Create two assemblies.

End Rails/Stretcher

LAYOUT

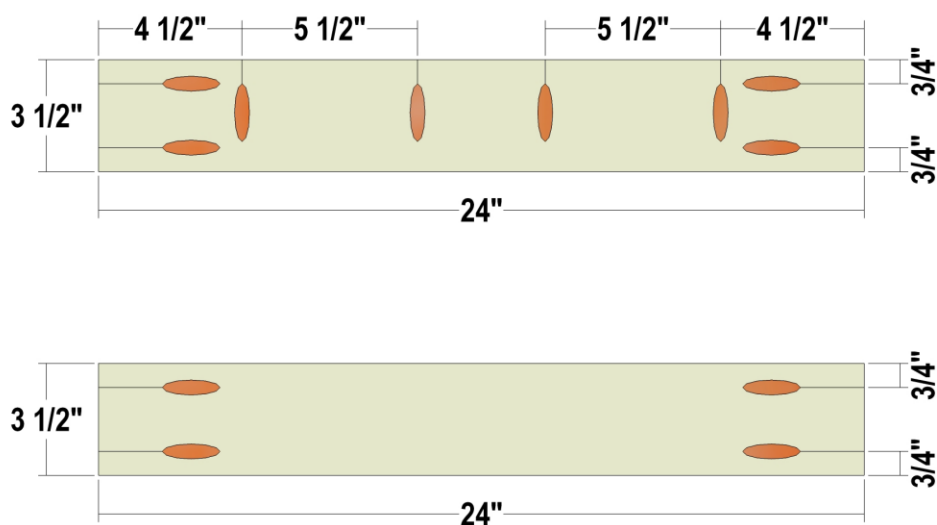


NOTE

Use the layouts for creating the Top End Rails and Top Stretcher. **Set your Kreg Jig and drill bit for 1 1/2" stock for the pocket holes on the ends of the faces, and 3/4" stock for the pocket holes on the edges of the faces.**

Side Rails

LAYOUT

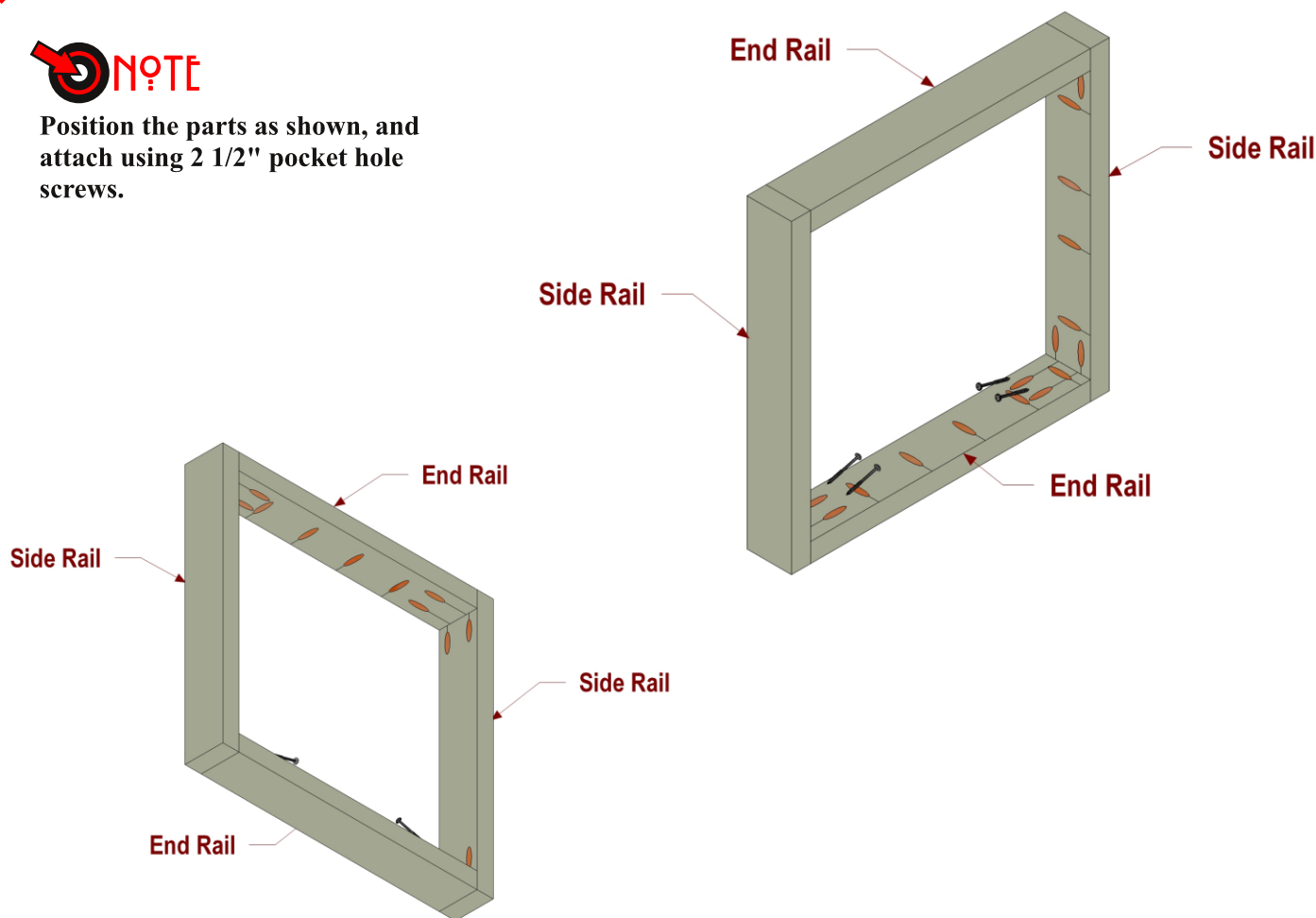


NOTE

Use the layouts for creating the Side Rails. Set your Kreg Jig and drill bit for 1 1/2" stock for the pocket holes on the ends of the faces, and 3/4" stock for the pocket holes on the edges of the faces. Create one of each layout.

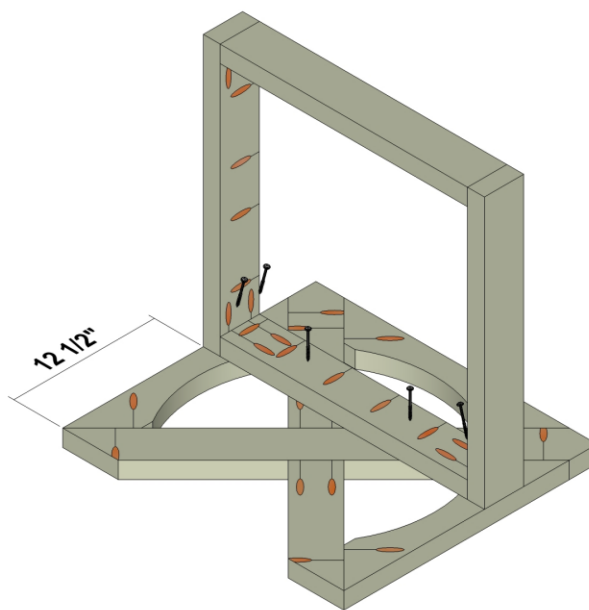
NOTE

Position the parts as shown, and attach using 2 1/2" pocket hole screws.



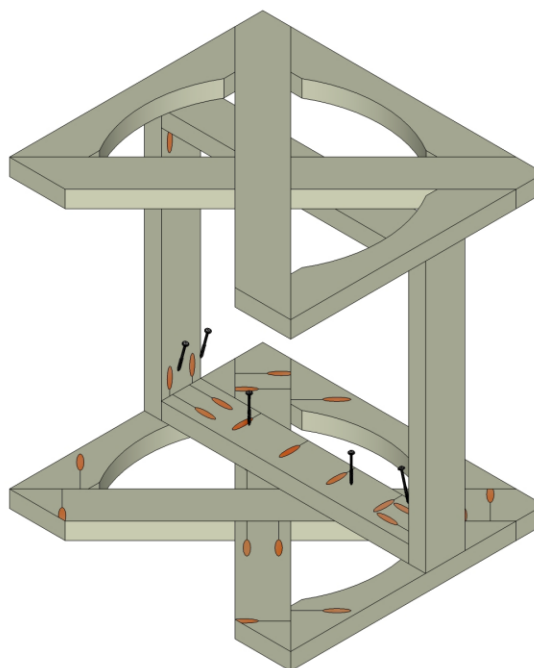
NOTE

Position the parts as shown, and attach using 2 1/2" pocket hole screws at the Side Rails on each end. Then attach the end Rails to the cross braces using 2 1/2" deck screws.



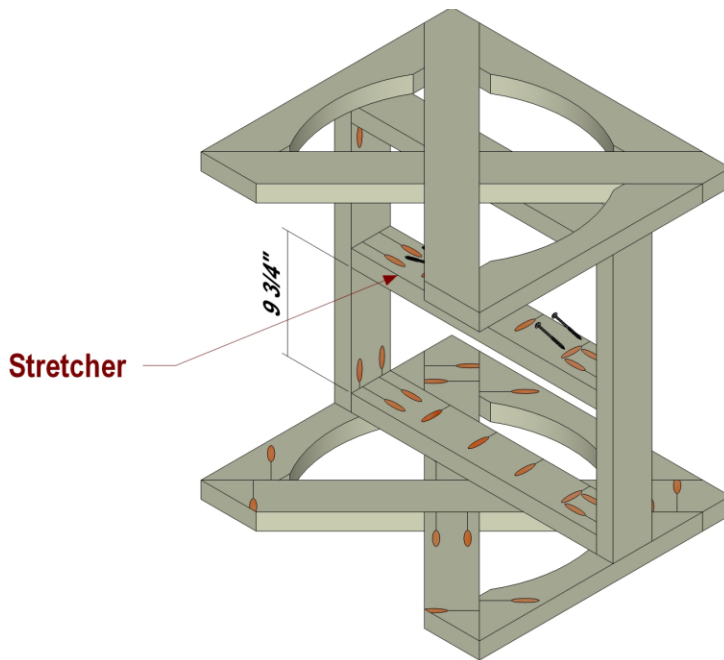
NOTE

Flip over and repeat.



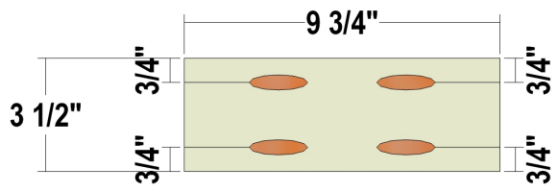
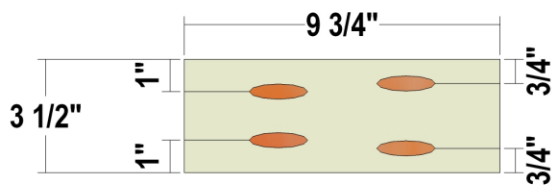
NOTE

Position the parts as shown, and attach using 2 1/2" pocket hole screws.



LAYOUT

Platforms

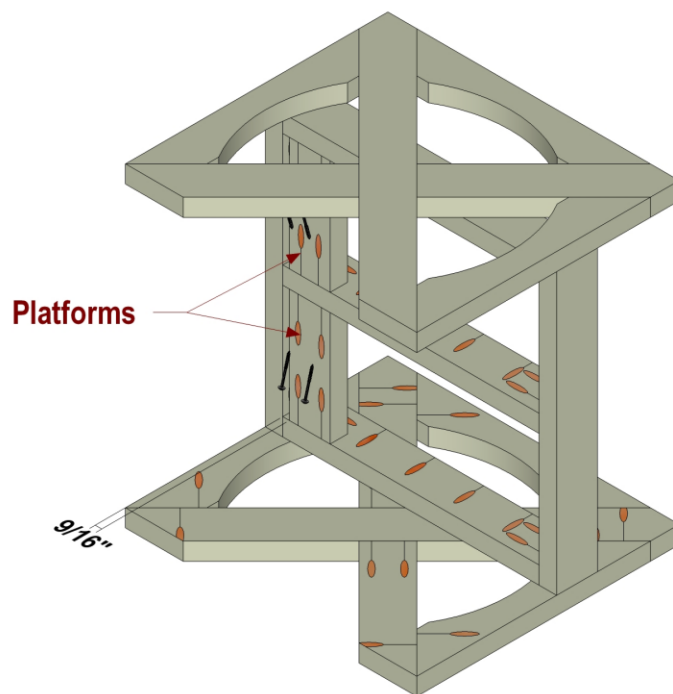


NOTE

Use the layouts for creating the Platforms. Set your Kreg Jig and drill bit for 1 1/2" stock for the pocket holes on the ends of the faces. Create one of each.

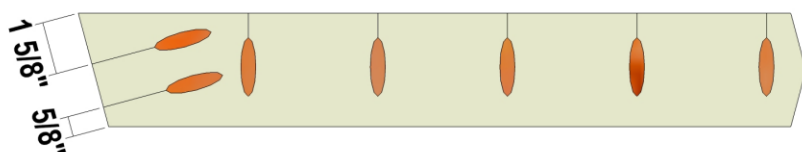
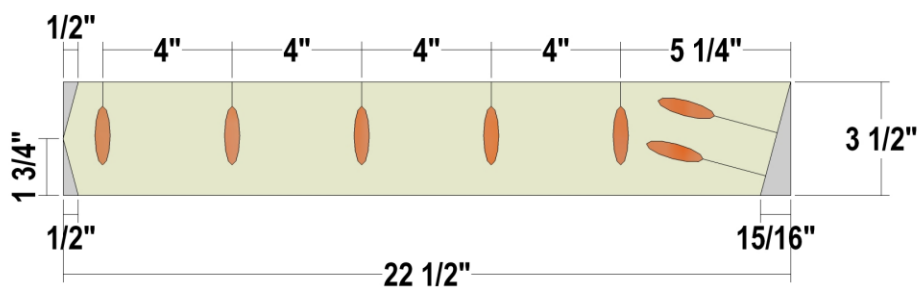
NOTE

Position the parts as shown, and attach using 2 1/2" pocket hole screws. You will need a right angle attachment for your drill/driver when driving the screws through the Platforms and into the Stretcher.



LAYOUT

Back Supports

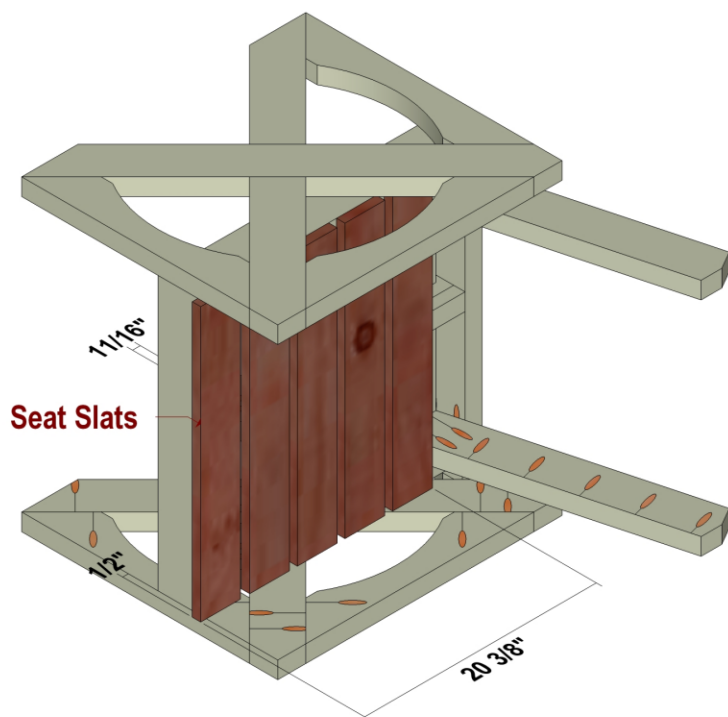
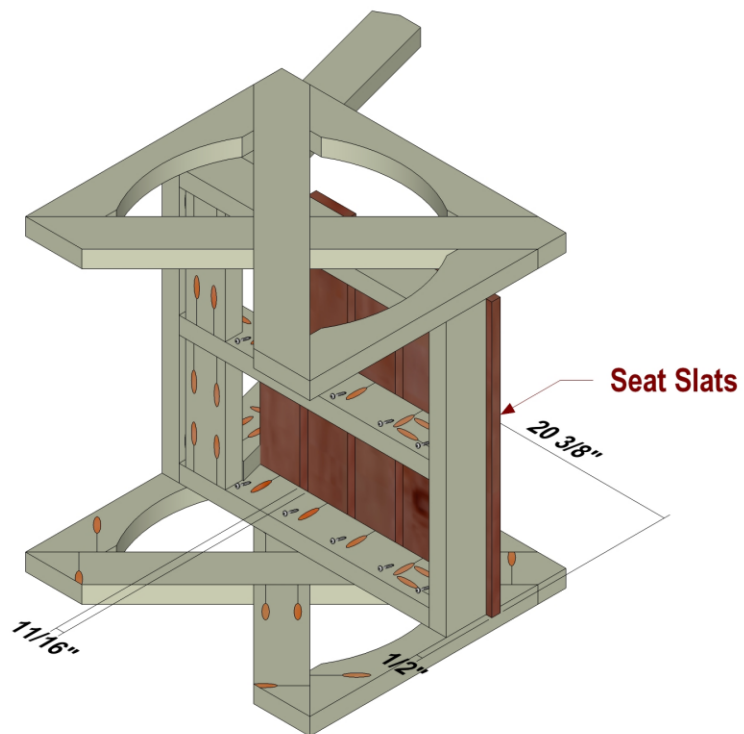


NOTE

Use the layouts for creating the Back Supports. Set your Kreg Jig and drill bit for 1 1/2" stock for the pocket holes on the ends of the faces, and 3/4" stock for the pocket holes on the edges of the faces. Create one of each. The angles on the ends are cut at 15 degrees.

NOTE

Position the parts as shown, and attach using 1 1/4" pocket hole screws.



DECK CHAIR

Top Back Slat

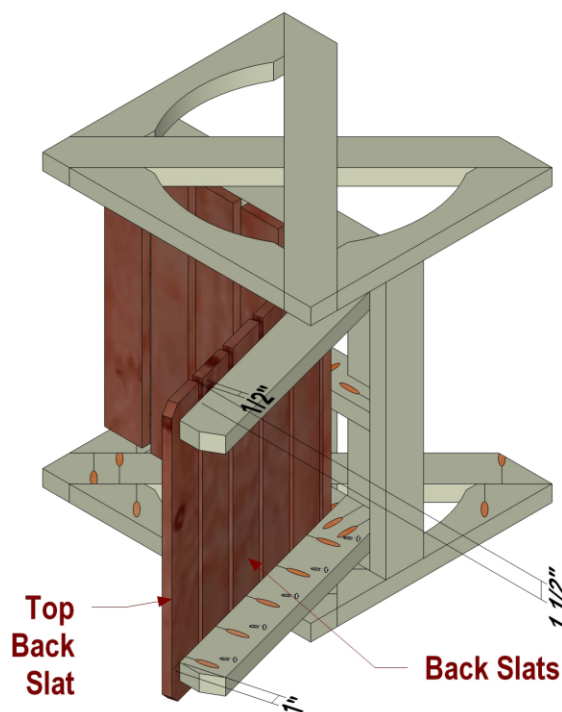


NOTE

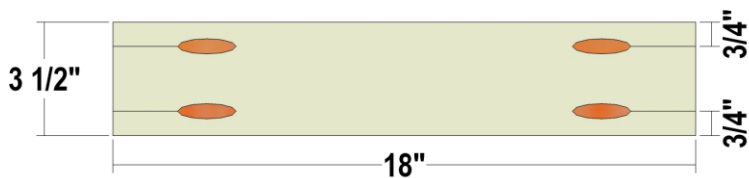
Use the layout for creating the Top Back Slat.

NOTE

Position the parts as shown, and attach using 1 1/4" pocket hole screws.



Back Rail

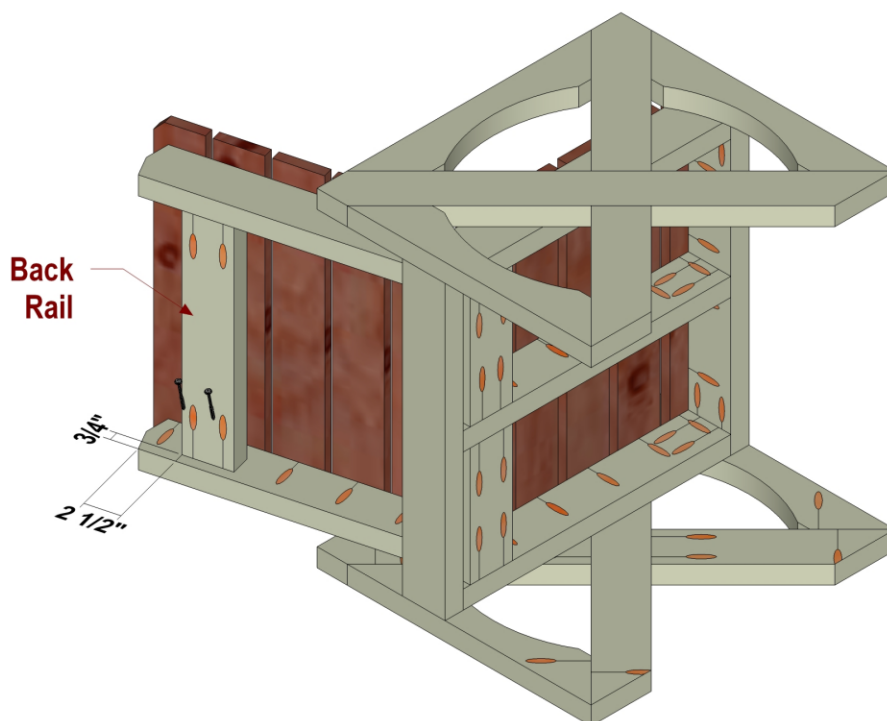


NOTE

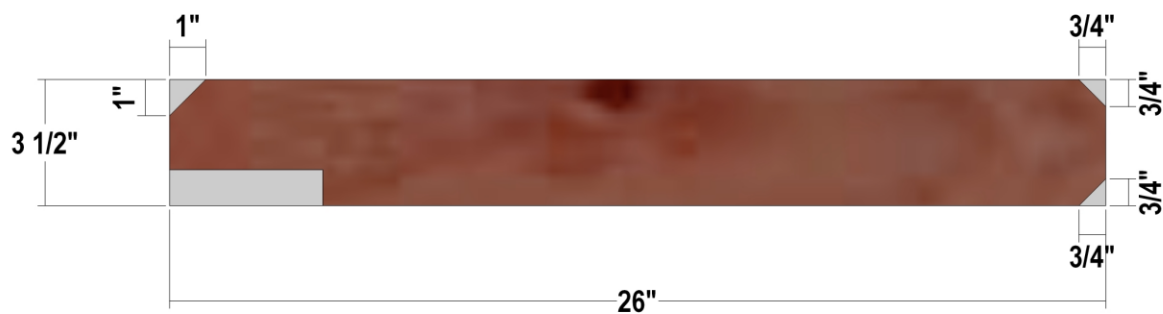
Use the layout for creating the Back Rail. **Set your Kreg Jig and drill bit for 1 1/2" stock for the pocket holes on the ends of the faces.**

NOTE

Position the part as shown, and attach using 2 1/2" pocket hole screws.



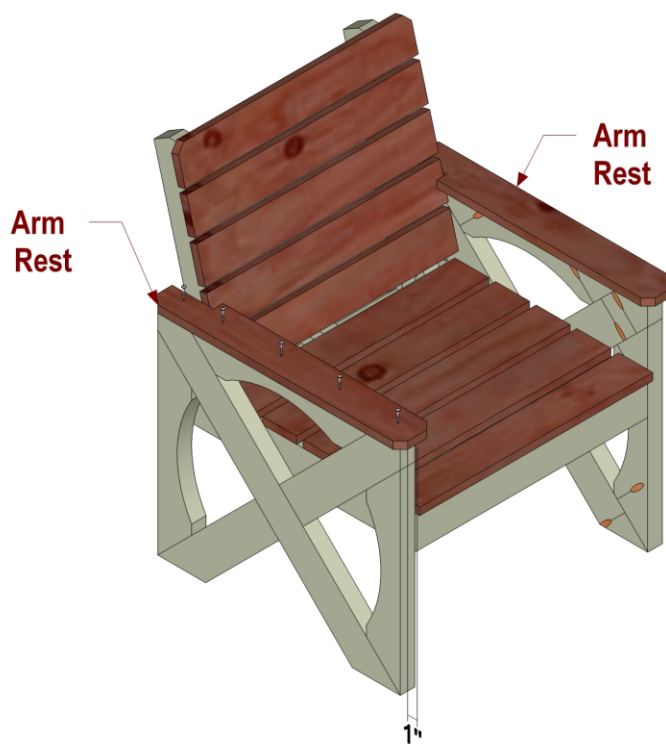
Arm Rest



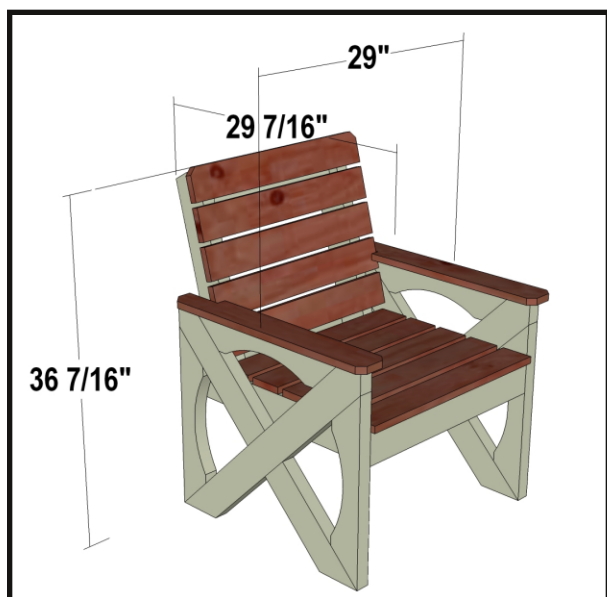
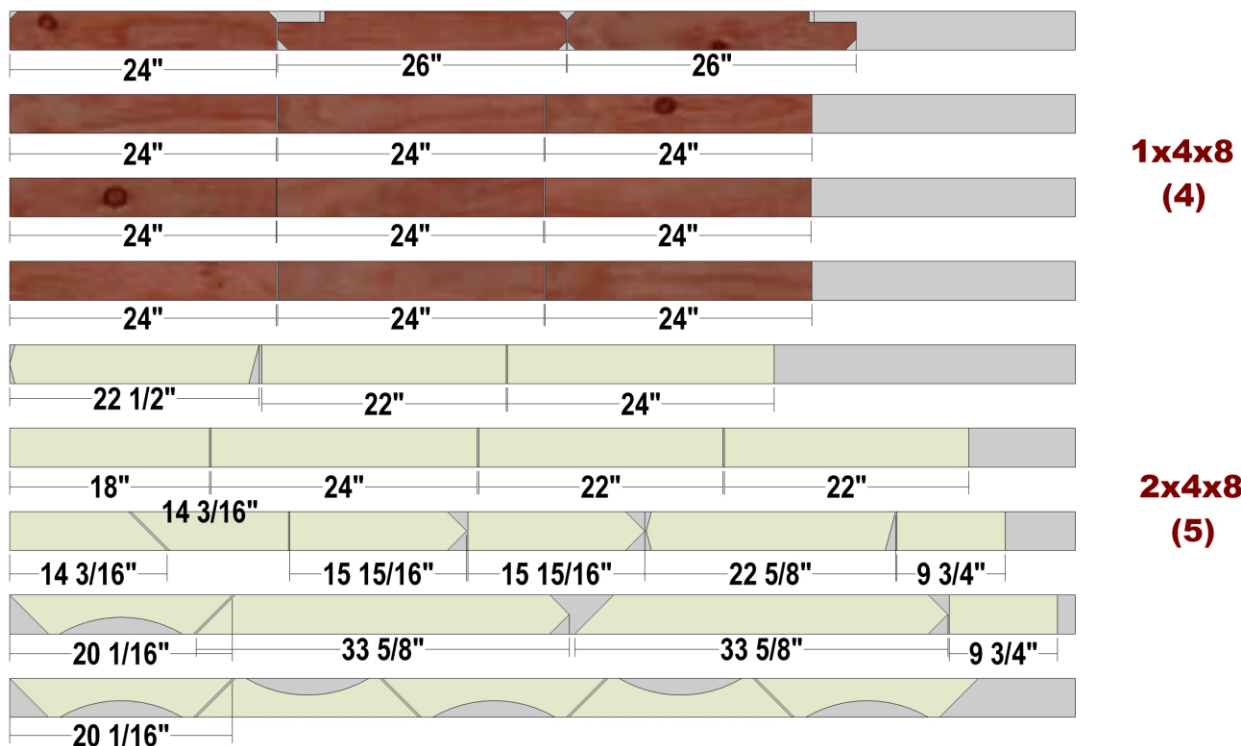
Use the layouts for creating the Arm Rests.



Position the part as shown, and attach using 1 1/4" deck screws. The Arm Rests are centered on the assembly and overhange the front edge by 1".



 **CUTTING DIAGRAM**



Estimated lumber cost: starting at \$35 for one

 **PARTS** 

- top side rails (2) - 1 1/2 x 3 1/2 x 20 1/16
- stiles (4) - 1 1/2 x 3 1/2 x 20 1/16
- lower cross braces (2) - 1 1/2 x 3 1/2 x 14 3/16
- long braces (2) - 1 1/2 x 3 1/2 x 33 5/8
- upper cross braces (2) - 1 1/2 x 3 1/2 x 15 15/16
- end rails (2) - 1 1/2 x 3 1/2 x 22
- stretcher (1) - 1 1/2 x 3 1/2 x 22
- side rails (2) - 1 1/2 x 3 1/2 x 24
- platforms (2) - 1 1/2 x 1 1/2 x 9 3/4
- back supports (2) - 1 1/2 x 3 1/2 x 22 1/2
- seat slats (5) - 3/4 x 3 1/2 x 24
- back slats (5) - 3/4 x 3 1/2 x 24
- back rail (1) - 1 1/2 x 3 1/2 x 18
- arm rests (2) - 3/4 x 3 1/2 x 26

All parts are listed in actual dimensions. Refer to the Cutting Diagram on the last page of this plan as a guide for determining the specific board from which to cut the parts.

 **TAKE CARE!**

Follow ALL SAFETY GUIDELINES AND RECOMMENDATIONS provided by the manufacturers of your tools, and any chemicals such as glue and finishes you use in this project. YOU are responsible for your safety, so use common sense when working in the shop!