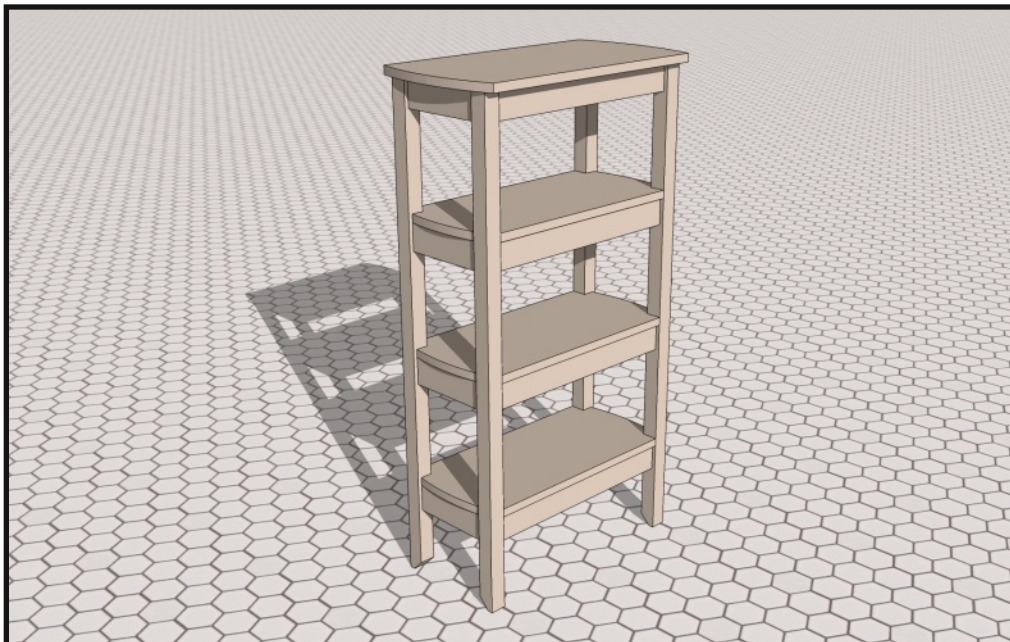


CHIEF'S SHOP PLAN OF THE WEEK



BATH SHELVES



ABOUT THESE PLANS

On this first page you will see above the project complete. On the [last page](#) you'll find the finished outer dimensions. Be sure to read ALL of the project steps before you start.

To the right is a list of the Lumber, Hardware/Supplies, and Tools you will need to complete this project. A measuring tape and pencil are not included because that should be pretty standard and self explanatory.

Below What You'll Need is the Parts list. This also is included on the [Cutting Diagram](#) page, which is the next to last page of this plan document. Also on the [Cutting Diagram](#) page is an estimate of the cost of the lumber. This estimate doesn't include any other supplies and does not factor in sales tax.

Throughout these plans you'll find the icons below:



LAYOUT This indicates a diagram detailing the dimensions of a project part and/or the placement for pocket holes, screws, nails, etc.



NOTE Notes are the instructions for a particular step/section of the project.



TAKE CARE! This indicates when to pay close attention to the diagrams, take precautions for safety, etc.



MORE PLANS

Want more Chief's Shop plans? Visit chiefs-shop.com and look through the Plans section.

Be sure to "Like" Chief's Shop on facebook by heading over to [facebook.com/ChiefsShop](https://www.facebook.com/ChiefsShop).

WHAT YOU'LL NEED



LUMBER

- 1- 1 x 3 x 6
- 2 - 1 x 3 x 8
- 1 - 1 x 8 x 6
- 1 - 1 x 12 x 6
- 2 - 2 x 2 x 8*

(availability will vary)

**if 2x2s of this size are not available, laminated two 1x2s to create 2x2s)*

HARDWARE/SUPPLIES

- Kreg 1 1/4" pocket hole screws
- wood glue
- paint/stain/sealer/polyurethane

TOOLS

- table saw
- miter saw
- jigsaw
- sander/belt sander
- drill/driver
- Kreg Jig
- beam compass
- clamps
- square

PARTS

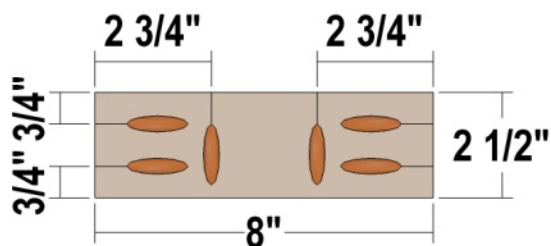
- End Rails (8) - 3/4 x 2 1/2 x 8
- Legs (4) - 1 1/2 x 1 1/2 x 45
- Side Rails (8) - 3/4 x 2 1/2 x 20
- Top Slats (2) - 3/4 x 7 1/4 x 26
- Shelves (3) - 3/4 x 11 x 23

All parts are listed in actual dimensions. Refer to the Cutting Diagram on the last page of this plan as a guide for determining the specific board from which to cut the parts.

VIDEO

Check out Chief's Shop Videos on YouTube. ([click here](#))

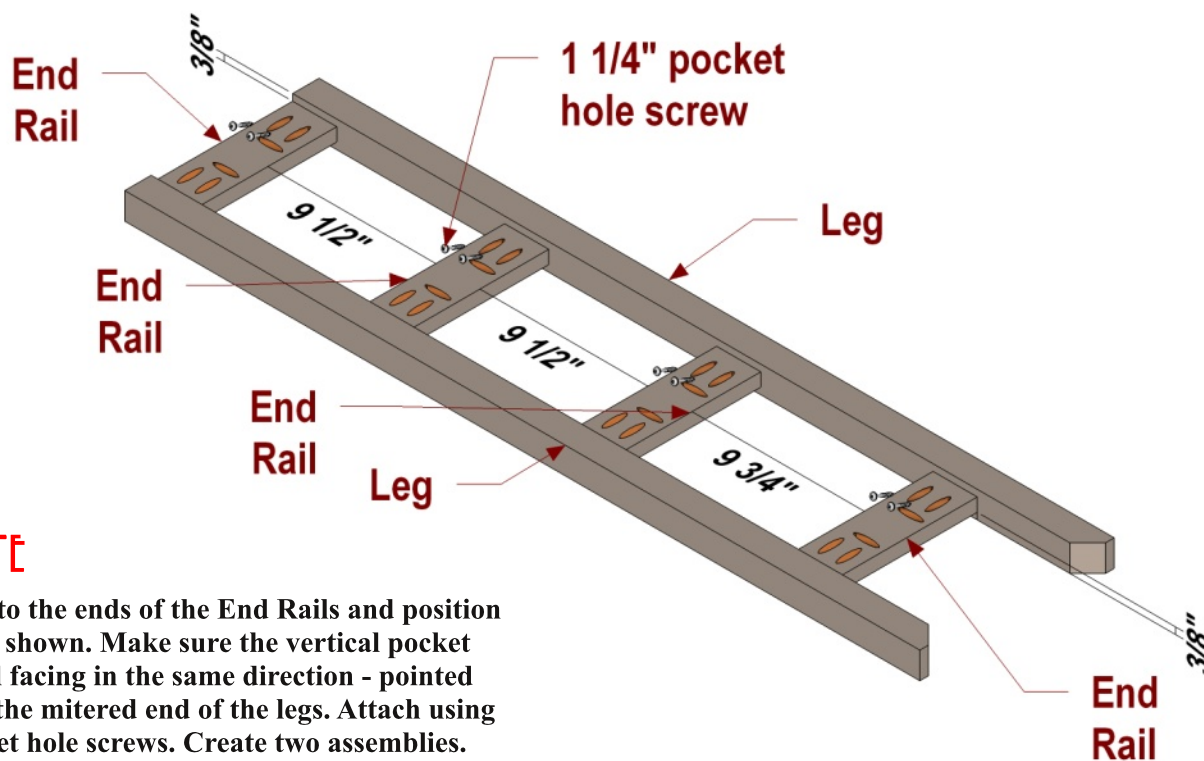
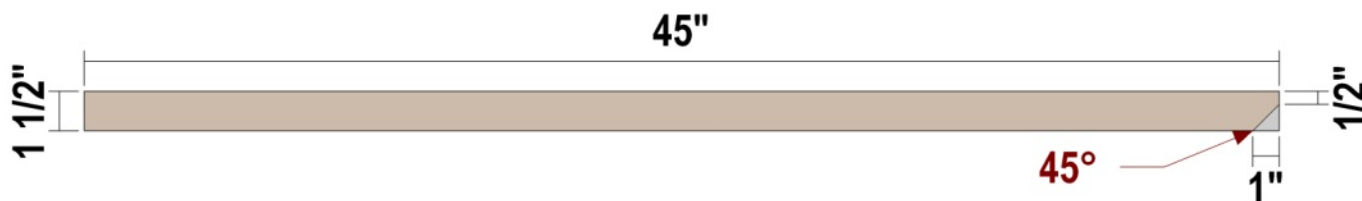
End Rail



 **NOTE**

Use the layouts for creating the End Rails and Legs.
Set your Kreg Jig and drill bit for 3/4" stock for the holes drilled in the End Rail.

Leg



 **NOTE**

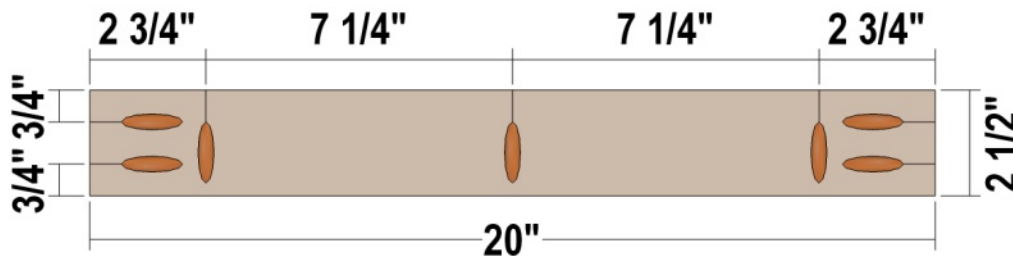
Apply glue to the ends of the End Rails and position the parts as shown. Make sure the vertical pocket holes are all facing in the same direction - pointed away from the mitered end of the legs. Attach using 1 1/4" pocket hole screws. Create two assemblies.

NOTE

Use the layout for creating the Side Rails. Set your Kreg Jig and drill bit for 3/4" stock.

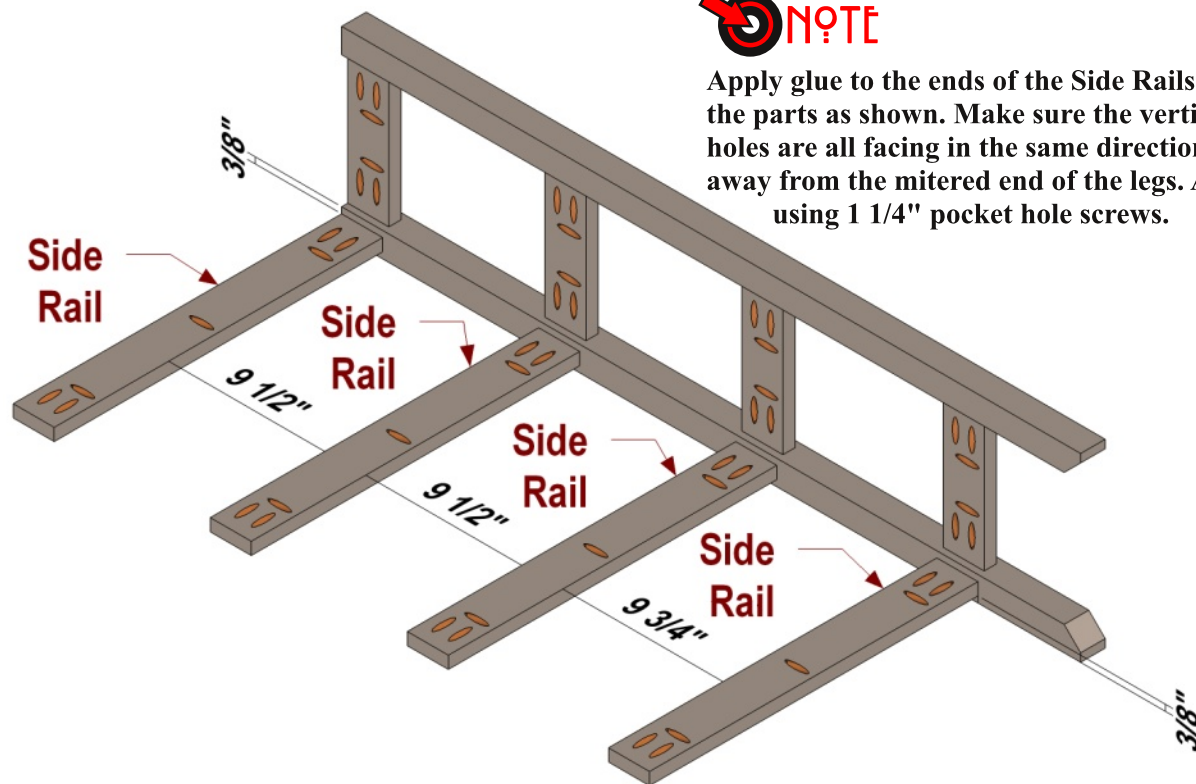
Side Rail

LAYOUT



NOTE

Apply glue to the ends of the Side Rails and position the parts as shown. Make sure the vertical pocket holes are all facing in the same direction - pointed away from the mitered end of the legs. Attach using 1 1/4" pocket hole screws.

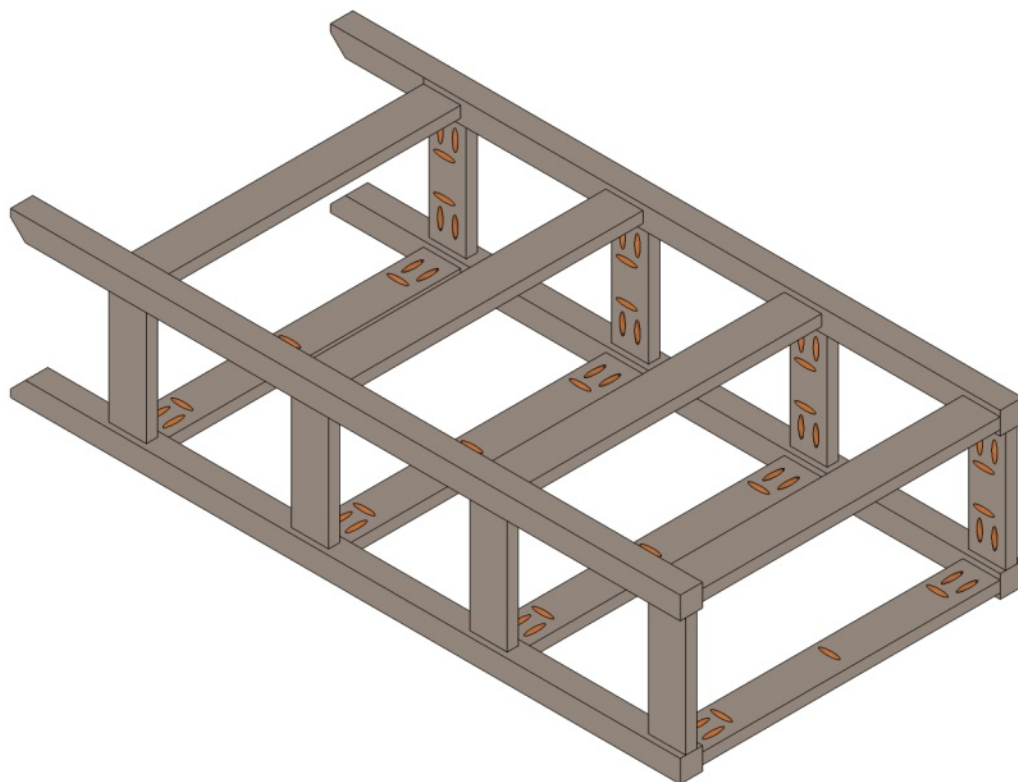
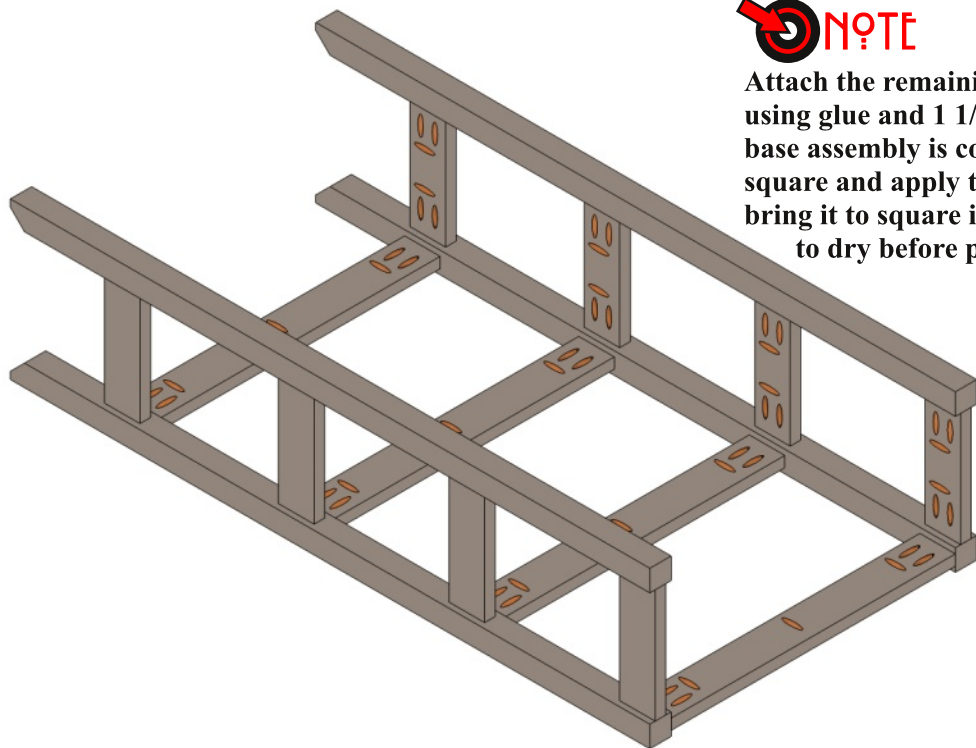


BATH SHELVES



NOTE

Attach the remaining End Assembly and Side Rails using glue and 1 1/4" pocket hole screws until the base assembly is complete. Check the assembly for square and apply temporary bracing or clamps to bring it to square if needed, and allow the glue to dry before proceeding.

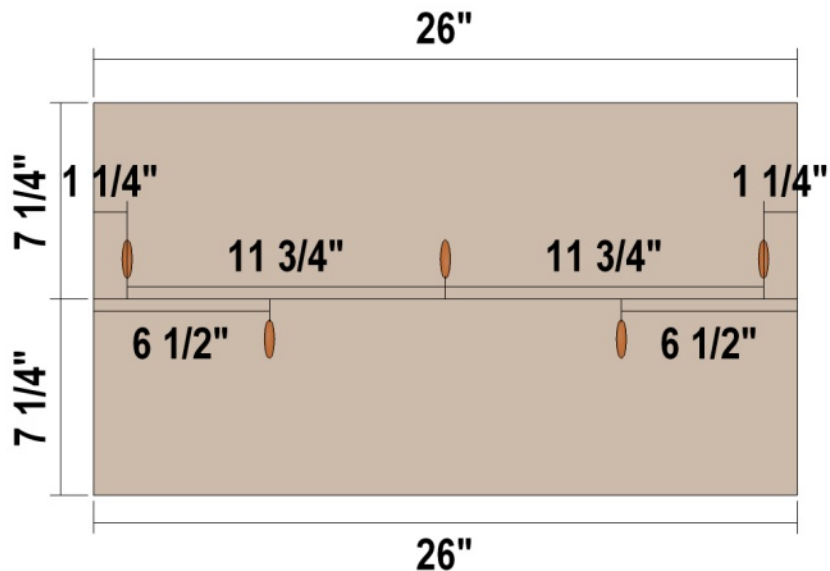


NOTE

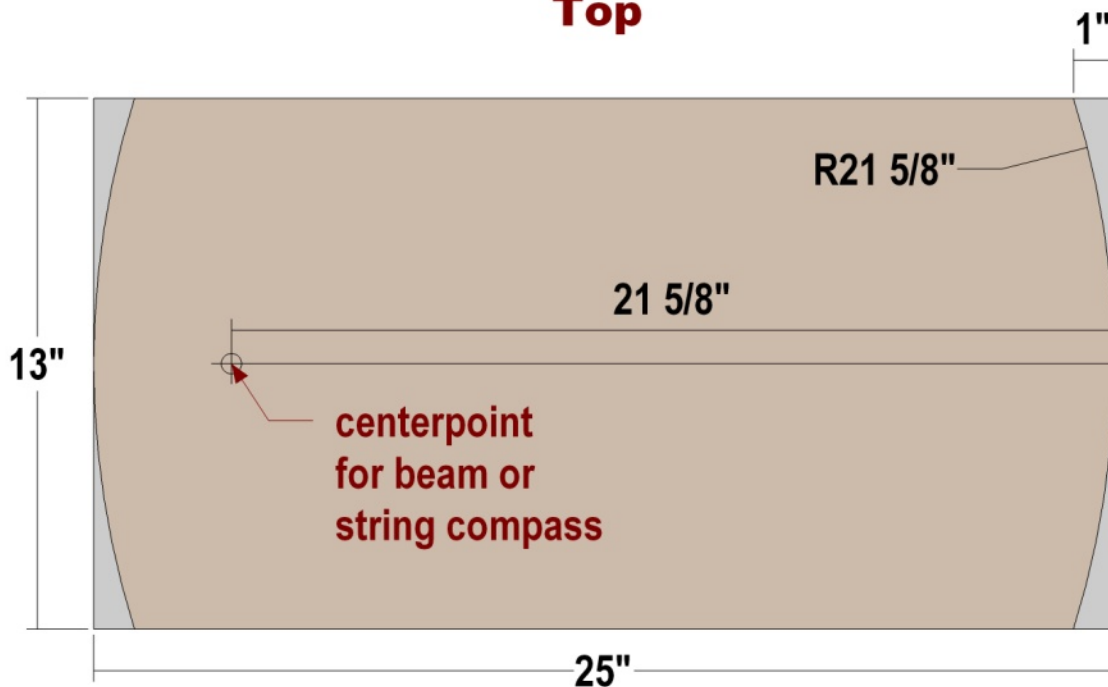
Use the layouts for creating the Top Slats and Top Assembly. **Set your Kreg Jig and drill bit for 3/4" stock.**

Attach the Top Slats using glue and 1 1/4" pocket hole screws. Rip this assembly to 13" wide and cut it to 25" long. Use a beam compass (or pencil and string) to mark the arc on the ends, and cut them using a jigsaw.

Top Slats

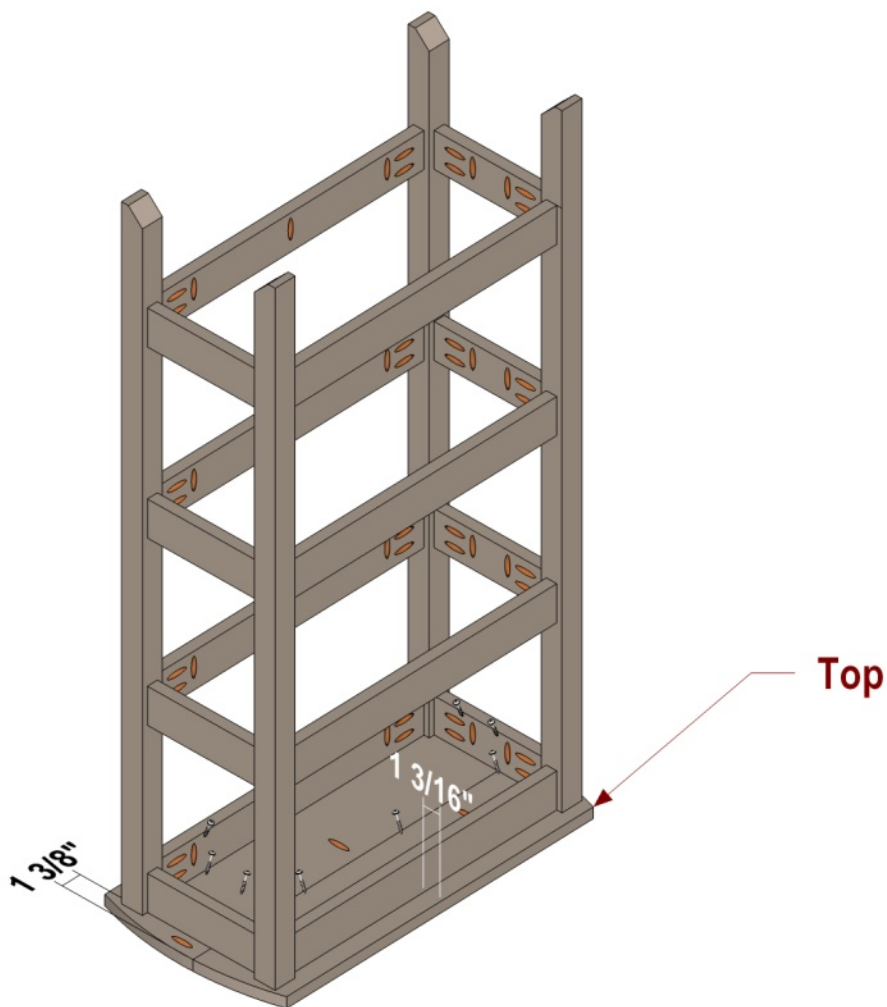


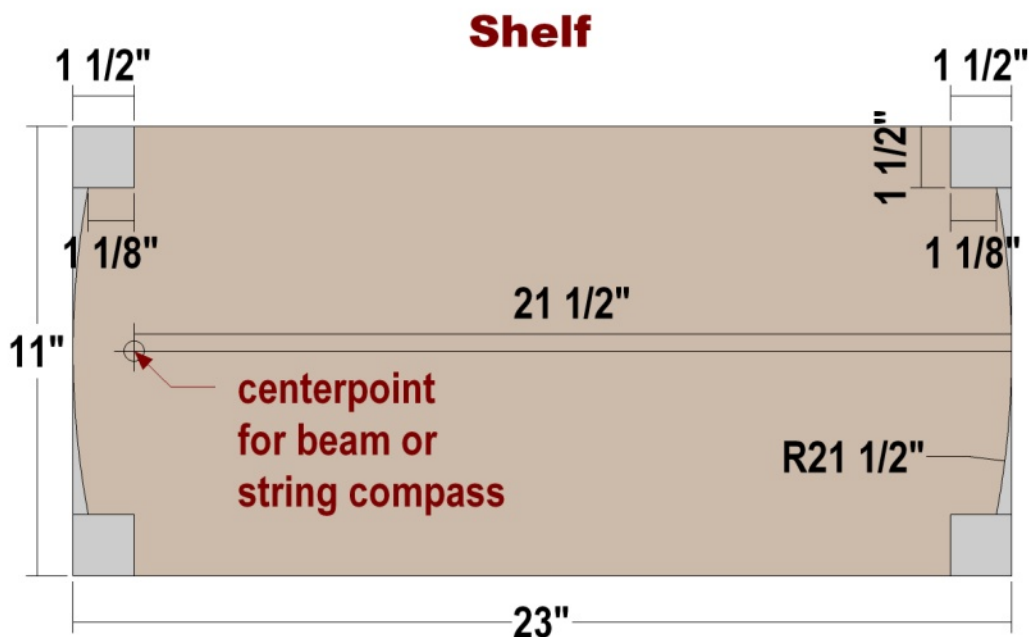
Top



NOTE

Apply glue to the top edge of the Base Assembly and place it centered on the pocket hole face of the Top Assembly. Attach using 1 1/4" pocket holes screws driven through the End Rails and Side Rails.



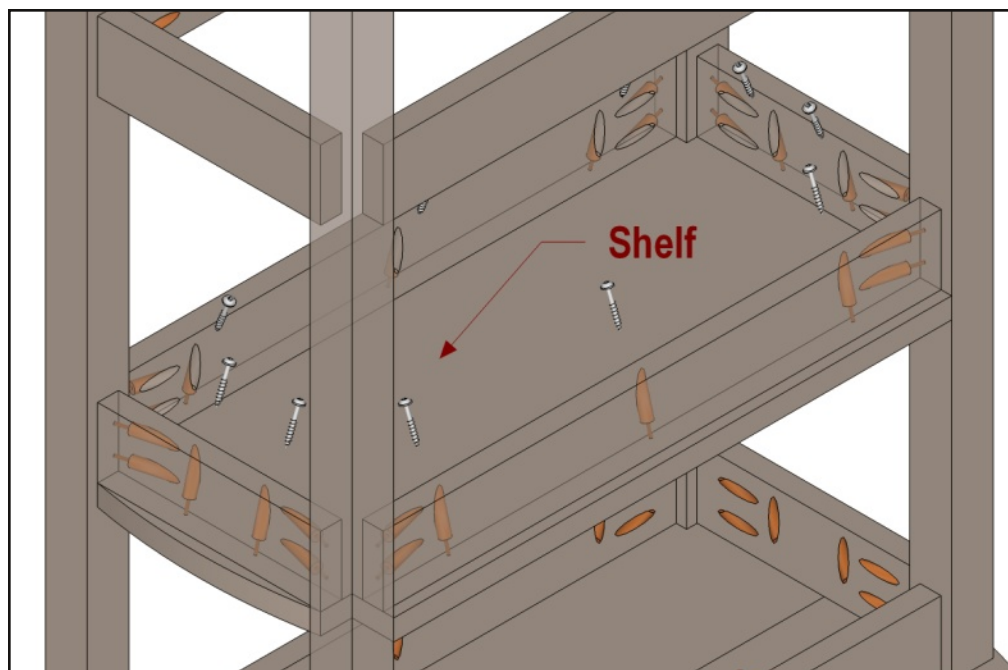


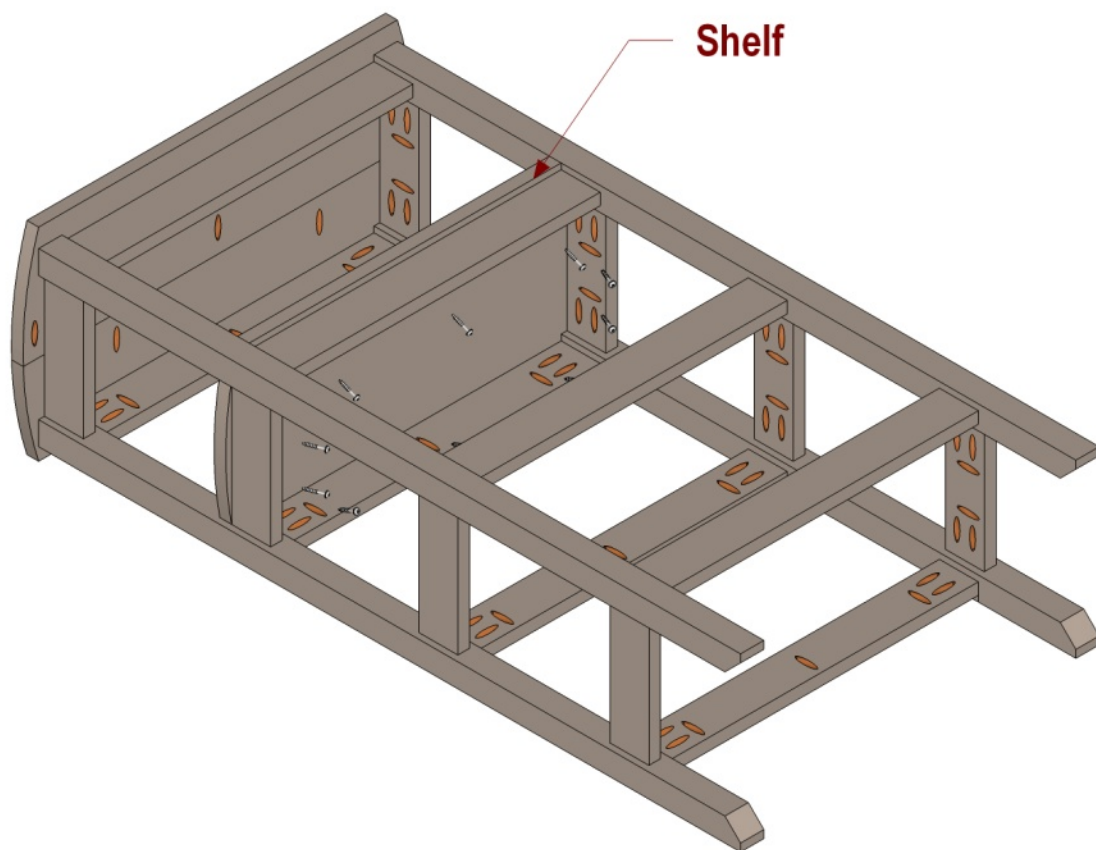
NOTE

Use the layout for creating the Shelves. Rip the parts to 11" wide and cut them to 23" long. Use a beam compass (or pencil and string) to mark the arc on the ends, and cut them using a jigsaw. You may need to cut the corner notches slightly larger to fit, so be sure to test fit each Shelf prior to inserting it into the assembly.

NOTE

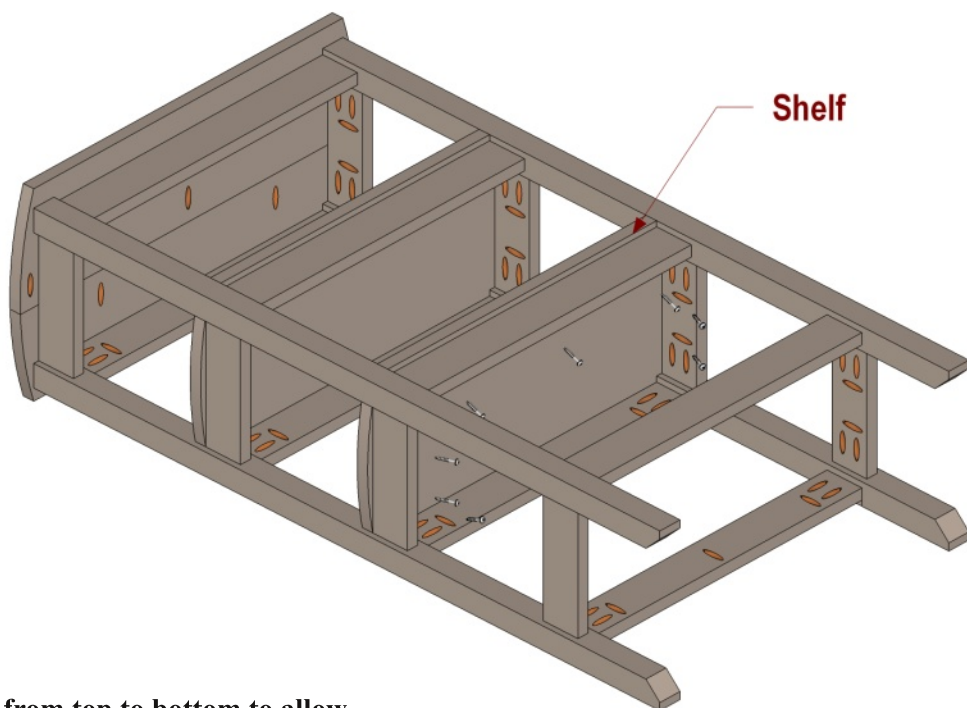
This inverted view offers a transparent look at the positioning of the Shelves. Each Shelf is to be placed flush against the top edge of the End and Side Rails and attached using glue and 1 1/4" pocket hole screws. The following two pages show each Shelf being attached.





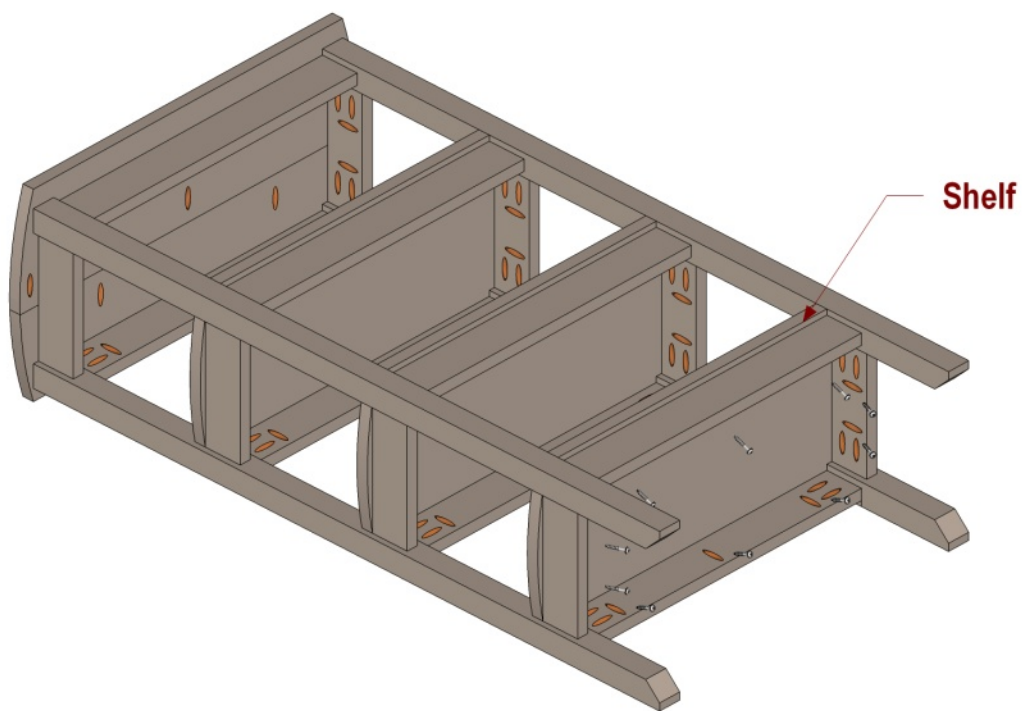
NOTE

When attaching the Shelves, work from top to bottom to allow access through the assembly to drive the pocket hole screws. Apply glue to the top edge of the Rails, and insert the Shelves at an angle.

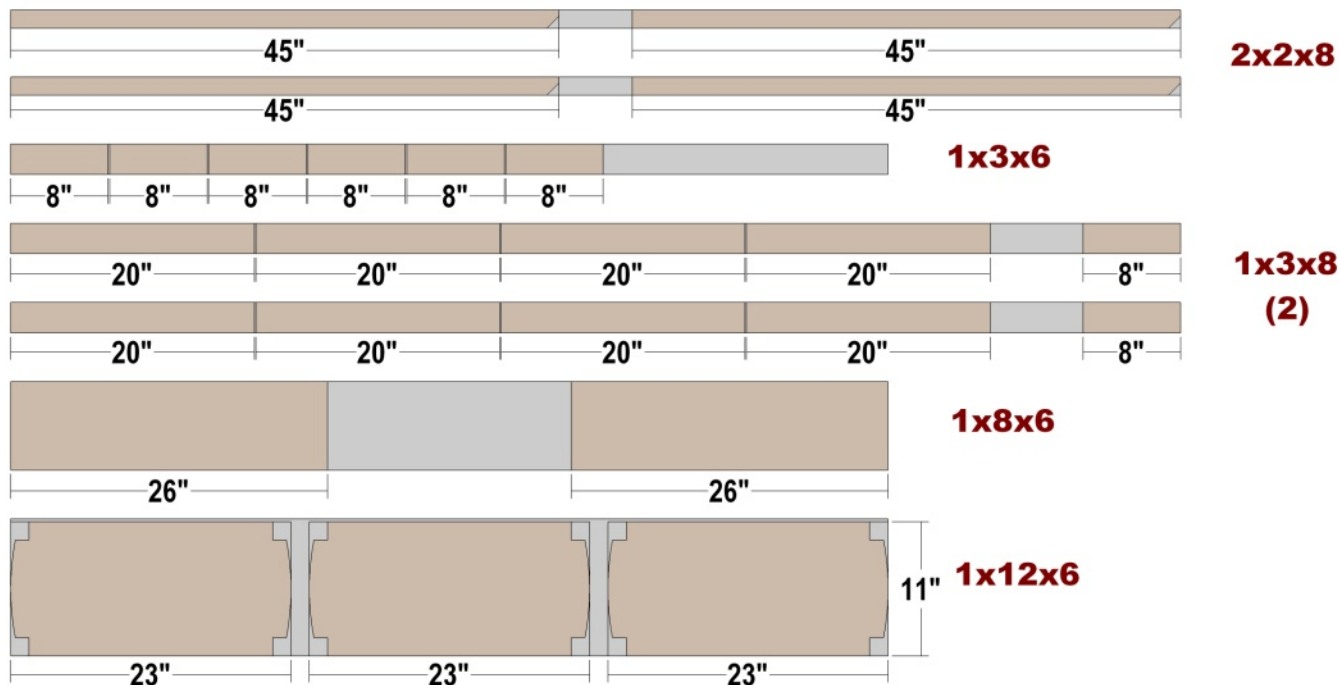


NOTE

When attaching the Shelves, work from top to bottom to allow access through the assembly to drive the pocket hole screws. Apply glue to the top edge of the Rails, and insert the Shelves at an angle.



 **CUTTING DIAGRAM**

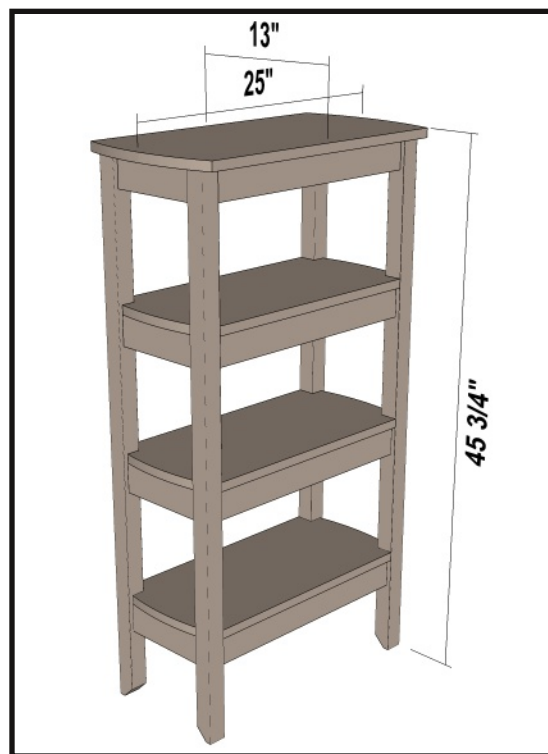


⚙️ PARTS ⚙️

End Rails (8) - 3/4 x 2 1/2 x 8
 Legs (4) - 1 1/2 x 1 1/2 x 45
 Side Rails (8) - 3/4 x 2 1/2 x 20
 Top Slats (2) - 3/4 x 7 1/4 x 26
 Shelves (3) - 3/4 x 11 x 23

All parts are listed in actual dimensions. Refer to the Cutting Diagram on the last page of this plan as a guide for determining the specific board from which to cut the parts.

Estimated lumber cost:
\$40-\$45 (white pine)



⚠️ TAKE CARE!

Follow **ALL SAFETY GUIDELINES AND RECOMMENDATIONS** provided by the manufacturers of your tools, and any chemicals such as glue and finishes you use in this project. **YOU** are responsible for your safety, so use common sense when working in the shop!