

CHIEF'S SHOP PLAN OF THE WEEK



2X4 THRONE



WHAT YOU'LL NEED

- LUMBER**
 10 - 2x4x8
(availability will vary)
- HARDWARE/SUPPLIES**
 Kreg 2 1/2" pocket hole screws
 2 1/2" deck screws
 wood glue, wood filler,
 pocket hole plugs, choice of finish
- TOOLS**
 miter saw
 sander
 drill/driver
 Kreg Jig
 clamps
 square


ABOUT THESE PLANS


On this first page you will see above the project complete. On one of the last two pages you'll find the finished outer dimensions. Be sure to read ALL of the project steps before you start.


To the right is a list of the Lumber, Hardware/Supplies, and Tools you will need to complete this project. A measuring tape and pencil are not included because that should be pretty standard and self explanatory.

Below What You'll Need is the Parts list. This also is included on the Cutting Diagram page, which is the last page of this plan document. Also on the Cutting Diagram page is an estimate of the cost of the lumber. This estimate doesn't include any other supplies and does not factor in sales tax.

Throughout these plans you'll find the icons below:

 **LAYOUT** This indicates a diagram detailing the dimensions of a project part and/or the placement for pocket holes, screws, nails, etc.

 **NOTE** Notes are the instructions for a particular step/section of the project.

 **TAKE CARE!** This indicates when to pay close attention to the diagrams, take precautions for safety, etc.

 **MORE PLANS**
 Want more Chief's Shop plans? Visit chiefs-shop.com and look through the Plans section.
 Be sure to "Like" Chief's Shop on facebook by heading over to [facebook.com/ChiefsShop](https://www.facebook.com/ChiefsShop).

NOTE

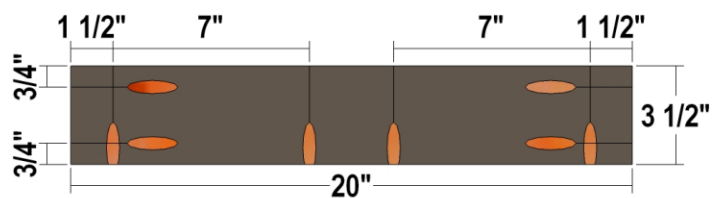
Apply glue to all mating parts.

- ### PARTS
- end rails (2) - 1 1/2 x 3 1/2 x 20
 - back legs (2) - 1 1/2 x 3 1/2 x 42
 - front legs (2) - 1 1/2 x 3 1/2 x 25 1/2
 - arm rails (2) - 1 1/2 x 3 1/2 x 20
 - arm stiles (4) - 1 1/2 x 3 1/2 x 8
 - arms (2) - 1 1/2 x 3 1/2 x 23
 - top leg layers (4) - 1 1/2 x 3 1/2 x 15
 - stretchers (3) - 1 1/2 x 3 1/2 x 28 1/2
 - back support (1) - 1 1/2 x 3 1/2 x 29 3/4
 - bottom leg layers (2) - 1 1/2 x 3 1/2 x 12 1/2
 - seat slats (7) - 1 1/2 x 3 1/2 x 21 1/2
 - outer back slats (2) - 1 1/2 x 3 1/2 x 31
 - inner back slats (2) - 1 1/2 x 3 1/2 x 33
 - center back slats (3) - 1 1/2 x 3 1/2 x 33
- All parts are listed in actual dimensions. Refer to the Cutting Diagram on the last page of this plan as a guide for determining the specific board from which to cut the parts.

 **VIDEO?** Check out Chief's Shop Videos on YouTube. ([click here](#))

2X4 THRONE

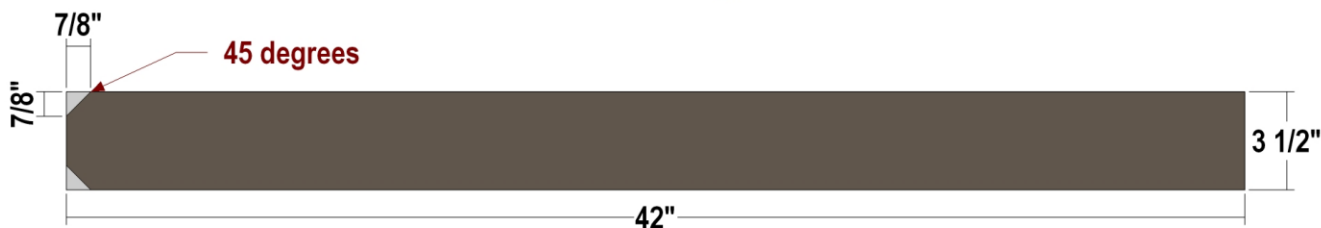
End Rail



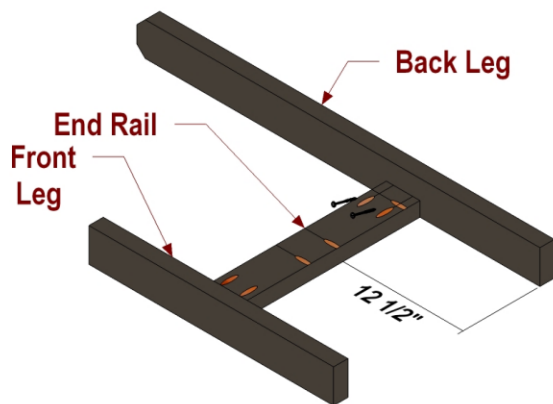
Use the layout for creating the End Rails.
Set your Kreg Jig and drill bit for 1 1/2" stock for the pocket holes.



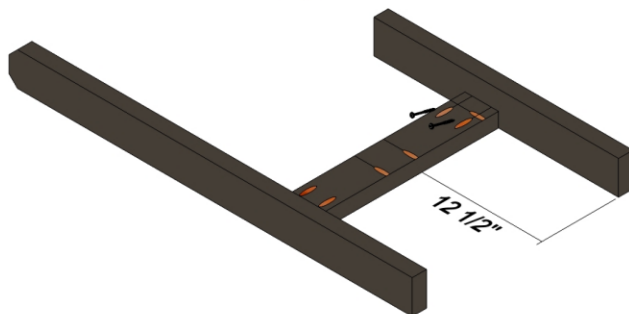
Back Leg



Use the layout for creating the Back Legs.



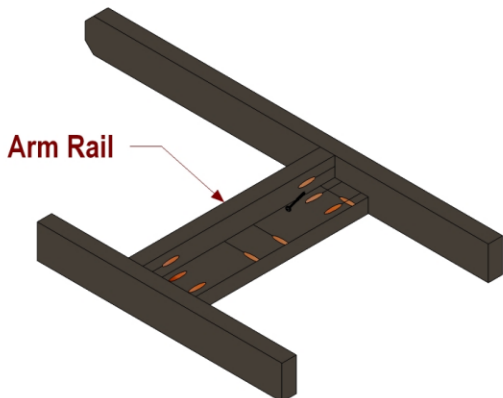
Position the parts as shown and attach using 2 1/2" pocket hole screws.



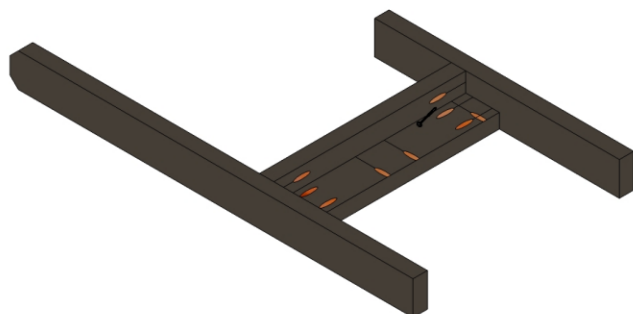
Arm Rail



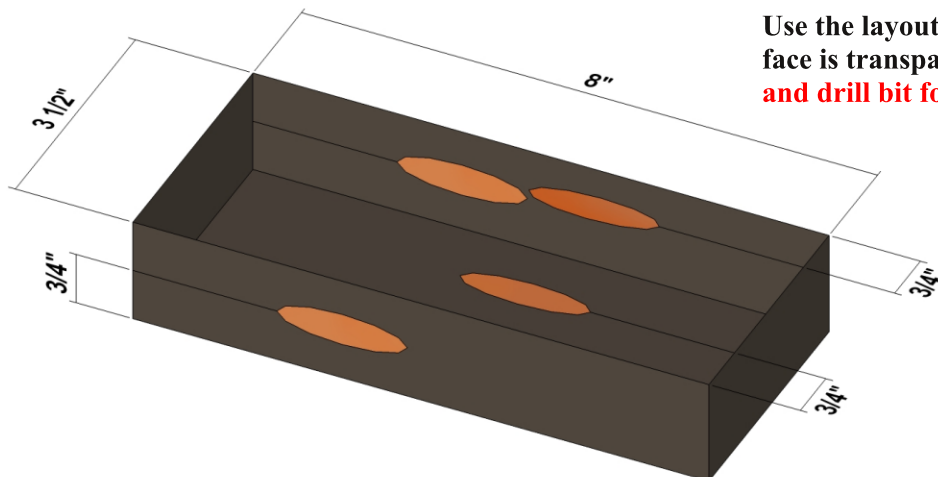
Use the layout for creating the Arm Rails. Set your Kreg Jig and drill bit for 1 1/2" stock for the pocket holes.



Position the parts as shown and attach using 2 1/2" pocket hole screws driven through the holes on the ends of the Arm Rails and into the Front and Back Legs, and driven through the End Rails and into the Arm Rails.

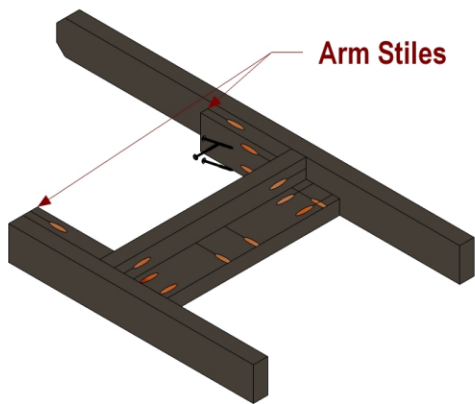


Arm Stile



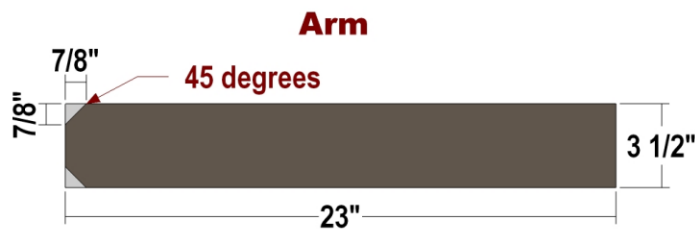
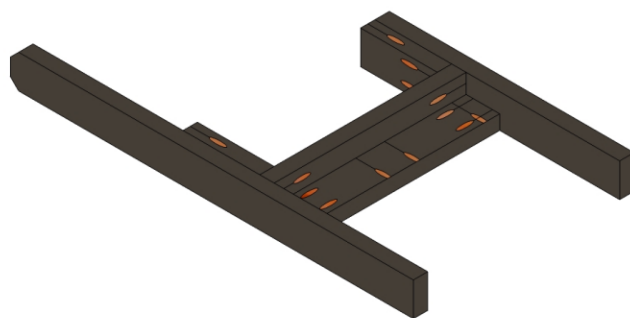
Use the layout for creating the Arm Stiles (the top face is transparent in this view). Set your Kreg Jig and drill bit for 1 1/2" stock for the pocket holes.





NOTE

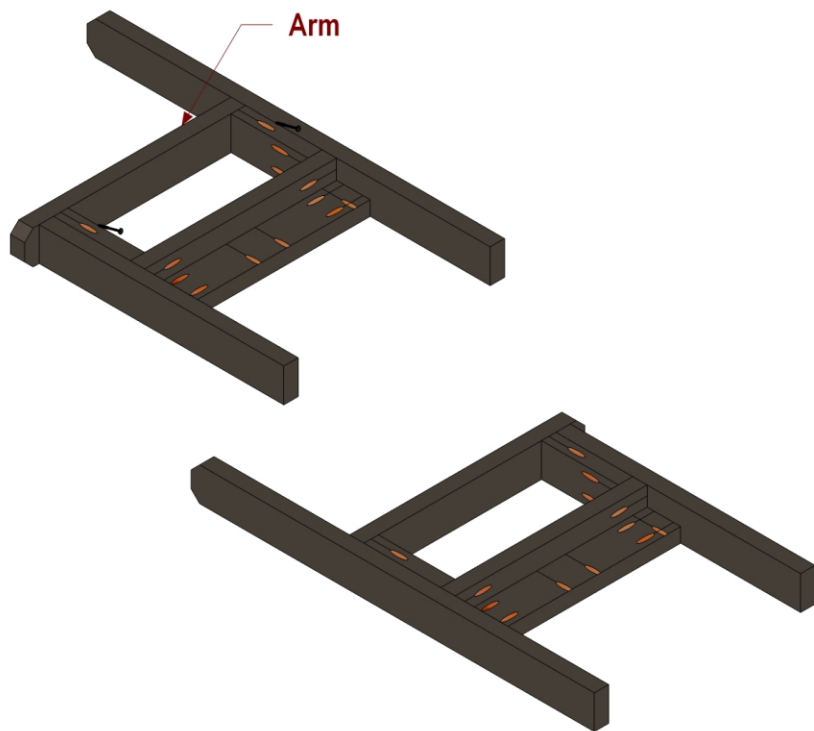
Position the parts as shown, and attach using 2 1/2" pocket hole screws attaching to the Arm Rails, and one 2 1/2" deck screw attaching to the Back Leg and Front Leg. Make sure the pocket holes on the edges of the Arm Stiles are pointing away from the Arm Rails.



LAYOUT

NOTE

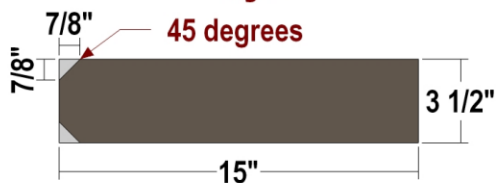
Use the layout for creating the Arms.



NOTE

Position the parts as shown, and attach using 2 1/2" pocket hole screws. Be sure to drive them on both holes in the Arm Stiles. You may find it necessary to drive additional deck screws through the Arms and into the Front Legs.

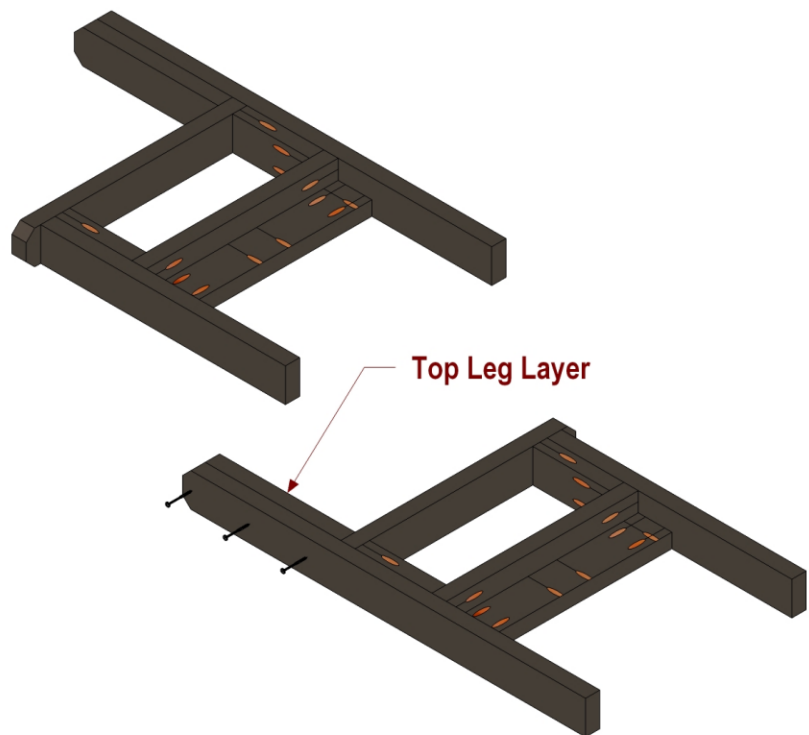
Top Leg Layer



LAYOUT

NOTE

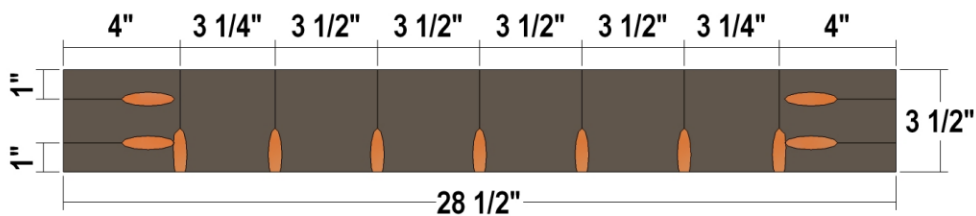
Use the layout for creating the Top Leg Layers.



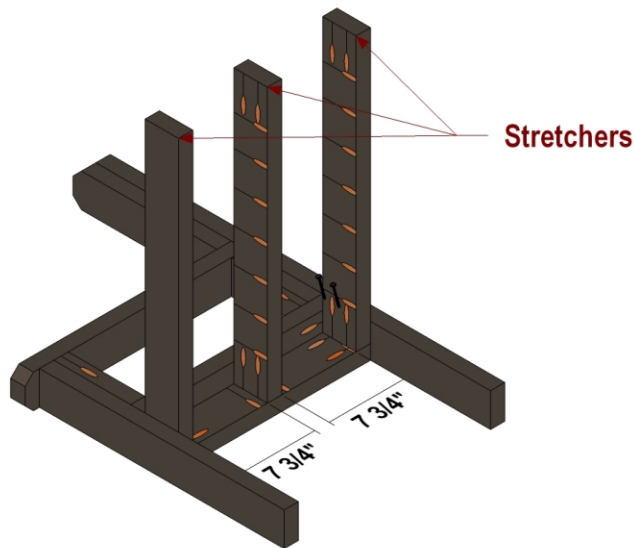
NOTE
Position the parts as shown, and attach using 2 1/2" deck screws.



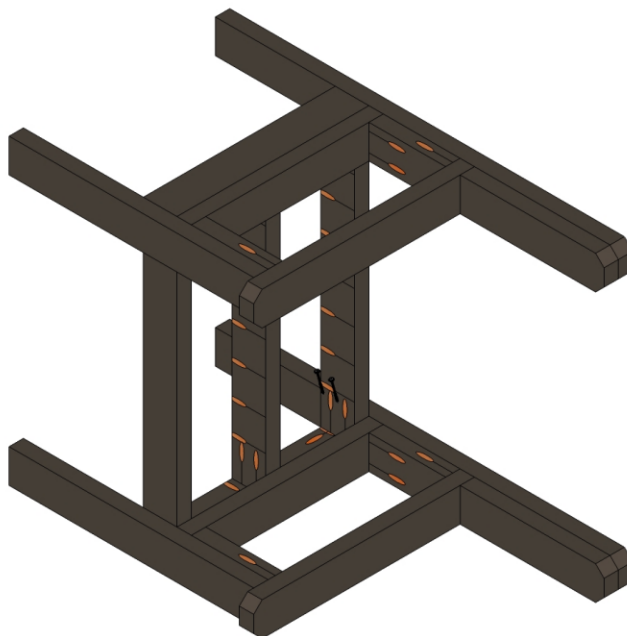
Stretcher



NOTE
Use the layout for creating the Stretchers.
Set your Kreg Jig and drill bit for 1 1/2" stock for the pocket holes.



Position the parts as shown and attach using 2 1/2" pocket hole screws.



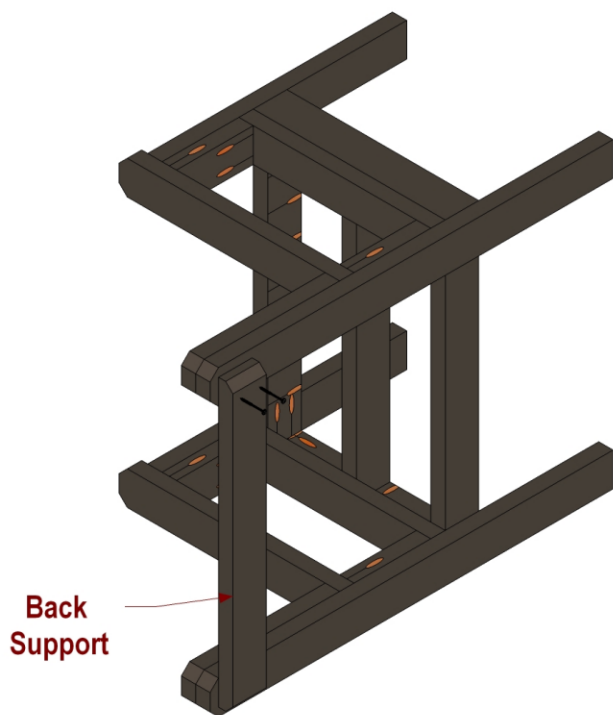
Back Support



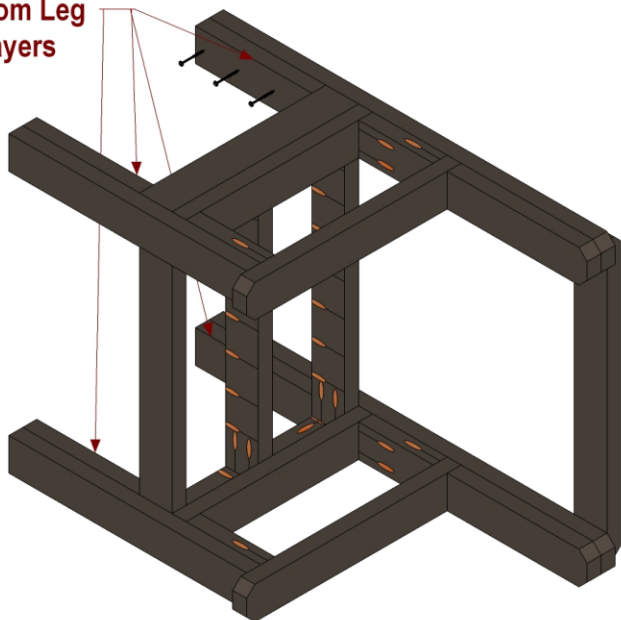
Use the layout for creating the Back Support. You can omit the bevel on the ends if desired.



Position the Back Support as shown (7/8" from the edge and 7/8" from the top of the Back Legs) and attach using 2 1/2" deck screws.



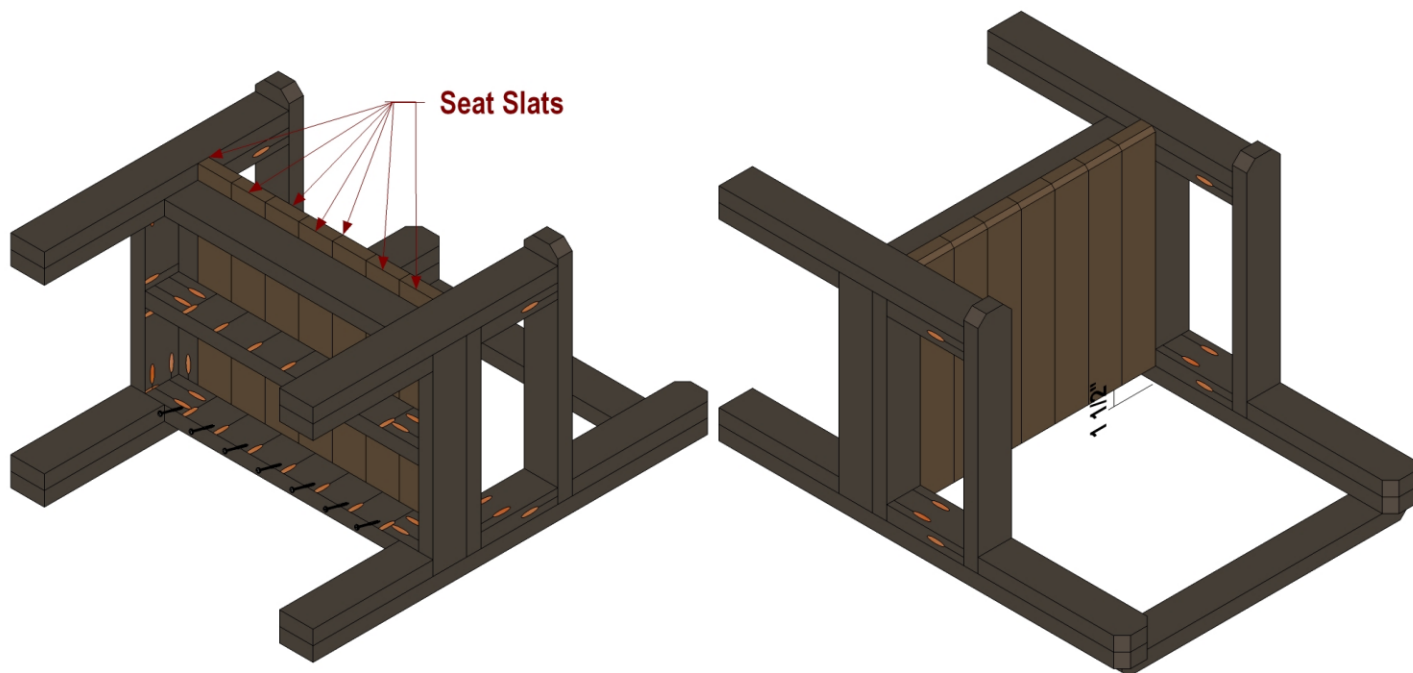
Bottom Leg Layers



Position the parts as shown and attach using 2 1/2" deck screws.

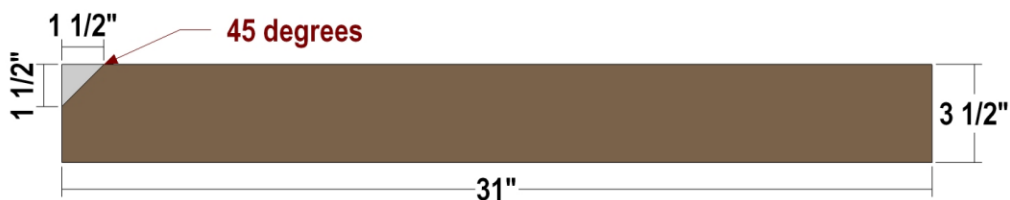


Position the parts as shown and attach using 2 1/2" pocket hole screws. Sand a slight bevel or roundover on the top front edge corner of the Seat Slats.



Outer Back Slat

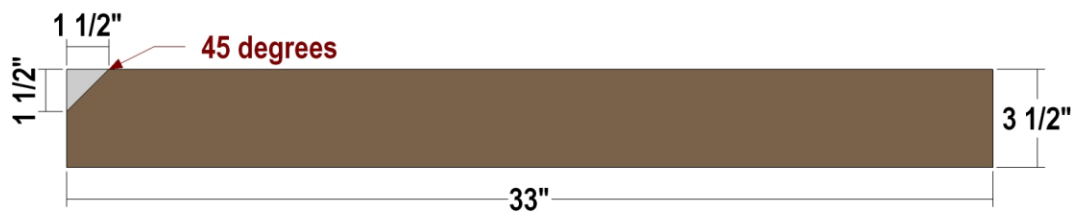
LAYOUT



NOTE

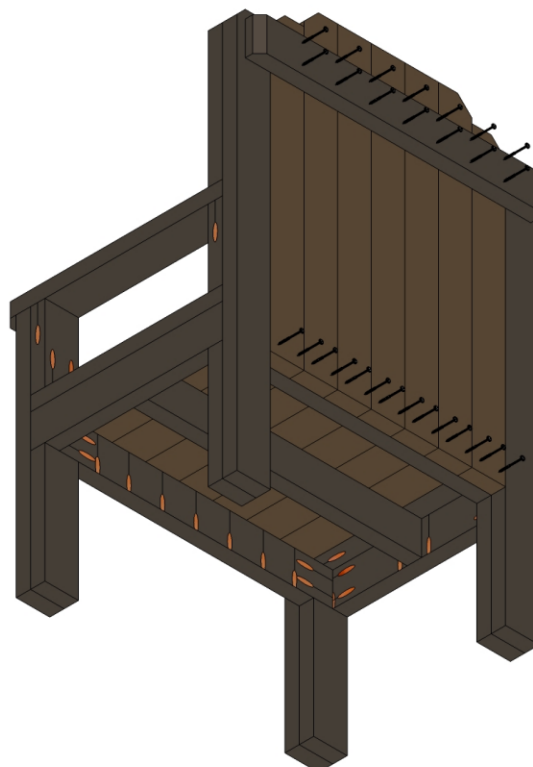
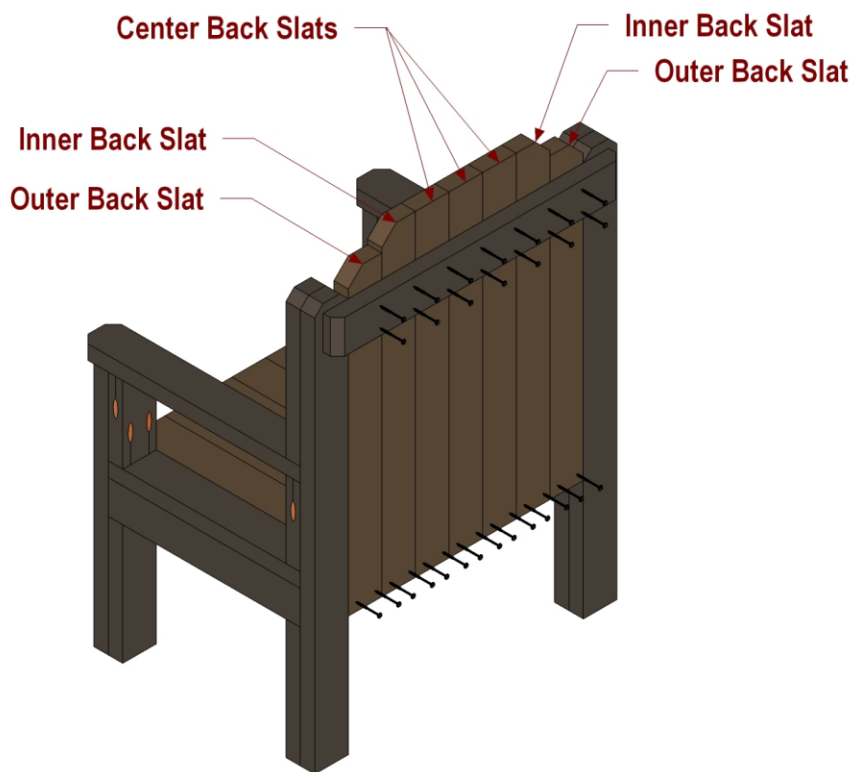
Use the layouts for creating the Outer Back Slats and Inner Back Slats.

Inner Back Slat



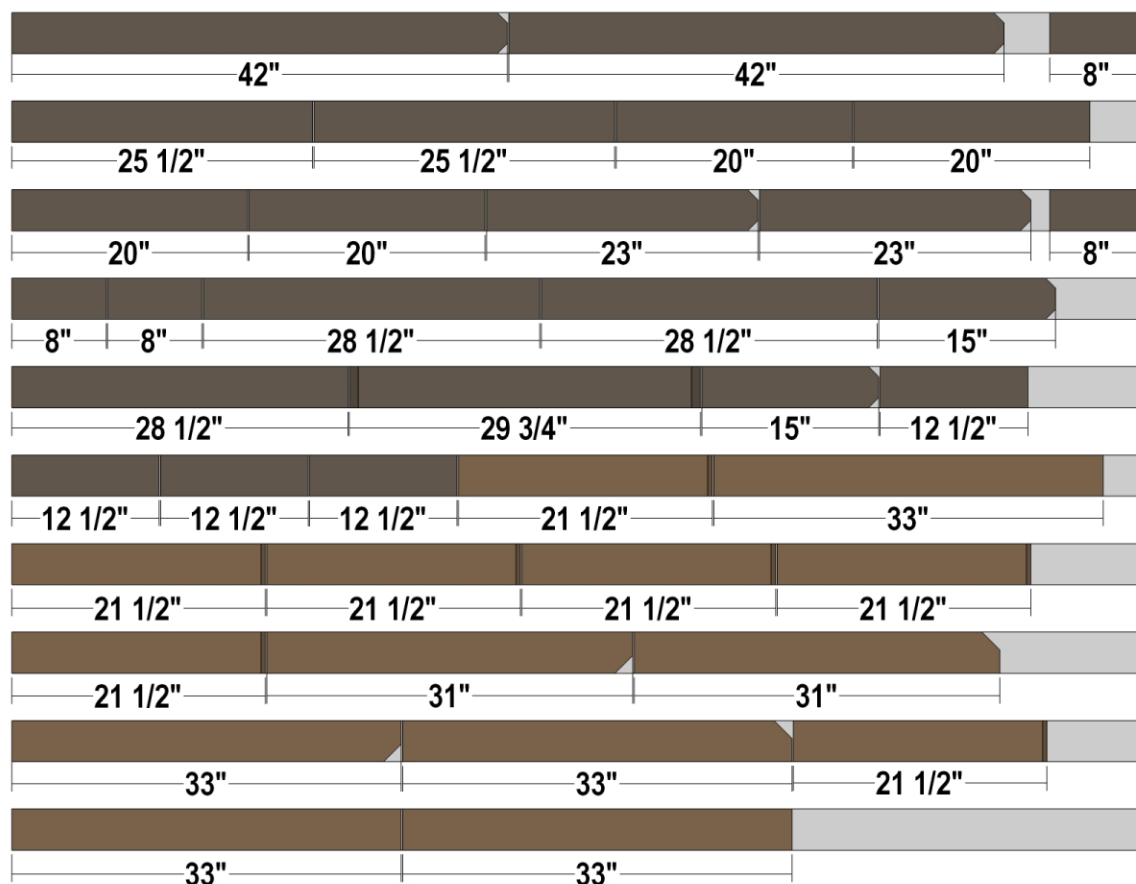
NOTE

Position the parts as shown (carefully slide the Slats in place beginning with the Outer Back Slats) and attach using 2 1/2" deck screws.





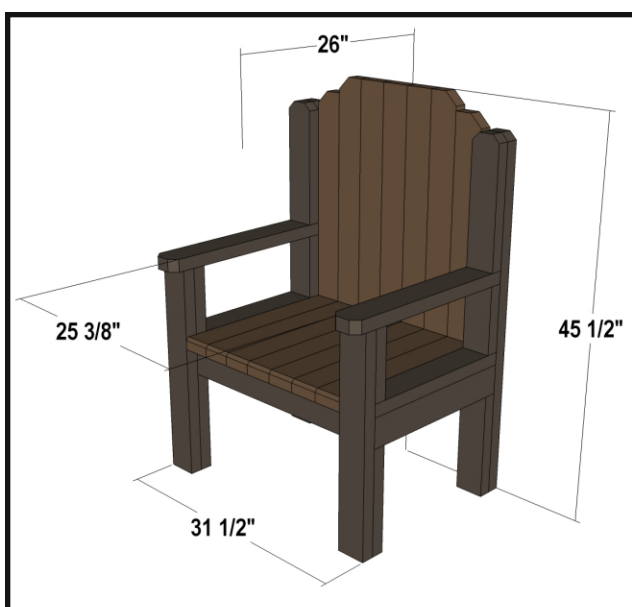
CUTTING DIAGRAM



**2x4x8
(10)**

TAKE CARE!

Follow ALL SAFETY GUIDELINES AND RECOMMENDATIONS provided by the manufacturers of your tools, and any chemicals such as glue and finishes you use in this project. YOU are responsible for your safety, so use common sense when working in the shop!



Estimated lumber cost: starting at \$32 for one

PARTS

- end rails (2) - 1 1/2 x 3 1/2 x 20
- back legs (2) - 1 1/2 x 3 1/2 x 42
- front legs (2) - 1 1/2 x 3 1/2 x 25 1/2
- arm rails (2) - 1 1/2 x 3 1/2 x 20
- arm stiles (4) - 1 1/2 x 3 1/2 x 8
- arms (2) - 1 1/2 x 3 1/2 x 23
- top leg layers (4) - 1 1/2 x 3 1/2 x 15
- stretchers (3) - 1 1/2 x 3 1/2 x 28 1/2
- back support (1) - 1 1/2 x 3 1/2 x 29 3/4
- bottom leg layers (2) - 1 1/2 x 3 1/2 x 12 1/2
- seat slats (7) - 1 1/2 x 3 1/2 x 21 1/2
- outer back slats (2) - 1 1/2 x 3 1/2 x 31
- inner back slats (2) - 1 1/2 x 3 1/2 x 33
- center back slats (3) - 1 1/2 x 3 1/2 x 33

All parts are listed in actual dimensions. Refer to the Cutting Diagram on the last page of this plan as a guide for determining the specific board from which to cut the parts.