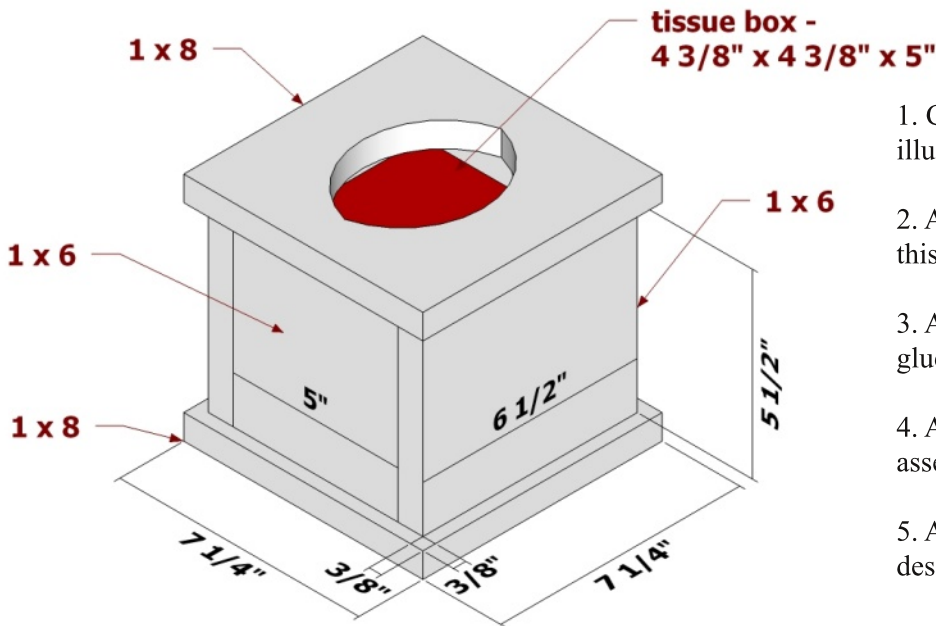
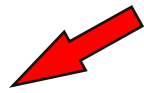
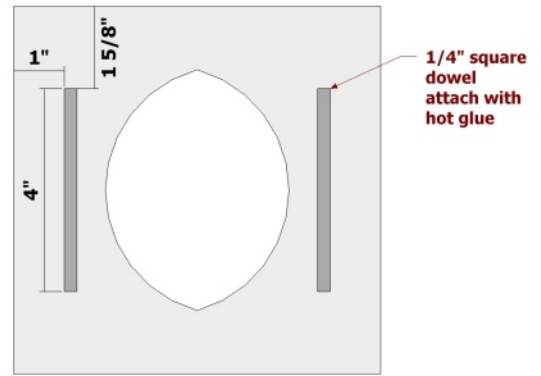
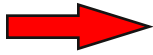
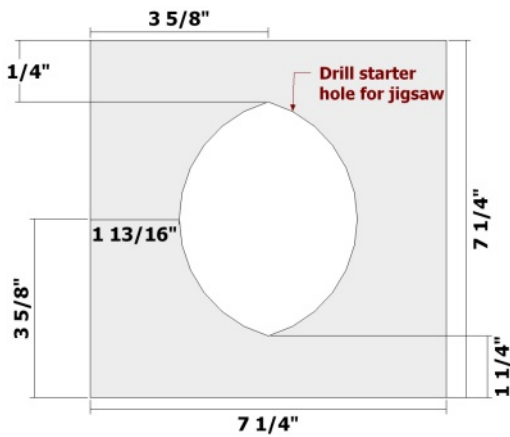
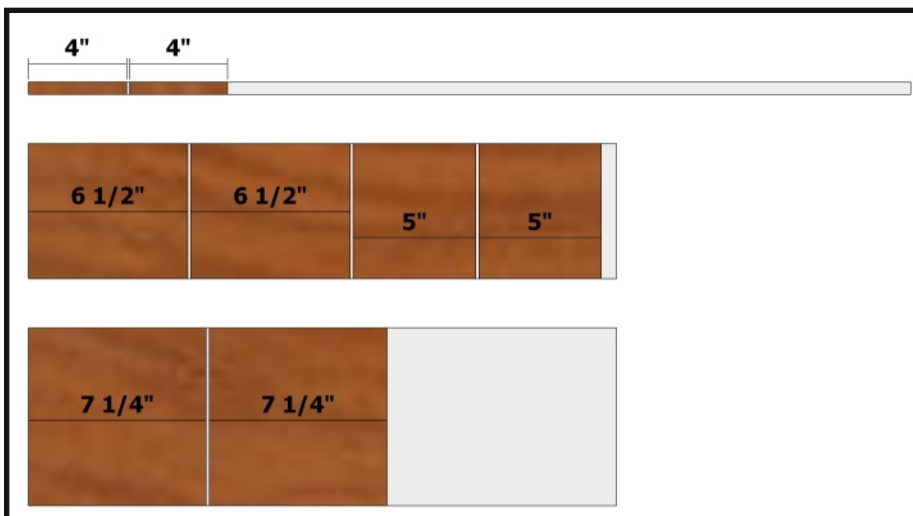




QUICK PROJECT: TISSUE BOX COVER



1. Cut top 7 1/4" piece using the illustration as a guide
2. Attach 1/4" x 4" dowel segments to this piece using hot glue
3. Attach 6 1/2" parts to 5" parts using glue and 4d nails
4. Attach bottom 7 1/4" piece to this assembly using glue and 4d nails
5. Allow glue to dry, paint/finish as desired, allow to dry



- 1/4 square dowel
- 1x6x2
- 1x8x2
- 4d nails
- wood glue
- hot glue
- miter saw
- jig saw
- drill/driver
- hammer
- clamps

MORE PLANS
Want more Chief's Shop plans? Visit chiefs-shop.com and look through the Plans section. Be sure to "Like" Chief's Shop on facebook by heading over to facebook.com/ChiefsShop.