

CHIEF'S SHOP PLAN OF THE WEEK



SIMPLE WOODWORKING: RUSTIC BENCH




ABOUT THESE PLANS


On this first page you will see above the project complete. On the last page you'll find the finished outer dimensions.


To the right is a list of the Lumber, Hardware/Supplies, and Tools you will need to complete this project. A measuring tape and pencil are not included because that should be pretty standard and self explanatory.

Below What You'll Need is the Parts list. This also is included on the Cutting Diagram page, which is the last page of this plan document.

Throughout these plans you'll find the icons below:

 **LAYOUT** This indicates a diagram detailing the dimensions of a project part and/or the placement for pocket holes, screws, nails, etc.

 **NOTE** Notes are the instructions for a particular step/section of the project.

 **TAKE CARE!** This indicates when to pay close attention to the diagrams, take precautions for safety, etc.

WHAT YOU'LL NEED



LUMBER

11 - 1 x 6 x 6 or reclaimed 1 x 6 x 6 fence pickets
(availability will vary)

HARDWARE/SUPPLIES

1 1/4" pocket hole screws
1" or 1 1/4" galvanized brads
wood glue
paint/stain/polyurethane

TOOLS

miter saw
drill/driver
pneumatic nailer or hammer
Kreg pocket hole jig & drill bit
clamps

PARTS

Legs (8) - 3/4" x 5 1/2" x 15
End Rails (4) - 3/4" x 5 1/2" x 16 1/2
Side Rails (4) - 3/4" x 5 1/2" x 60
Stretchers (3) - 3/4" x 5 1/2" x 15
Seat Slats (3) - 3/4" x 5 1/2" x 64 1/2

*Dimensions will vary with fence pickets, adjust accordingly.

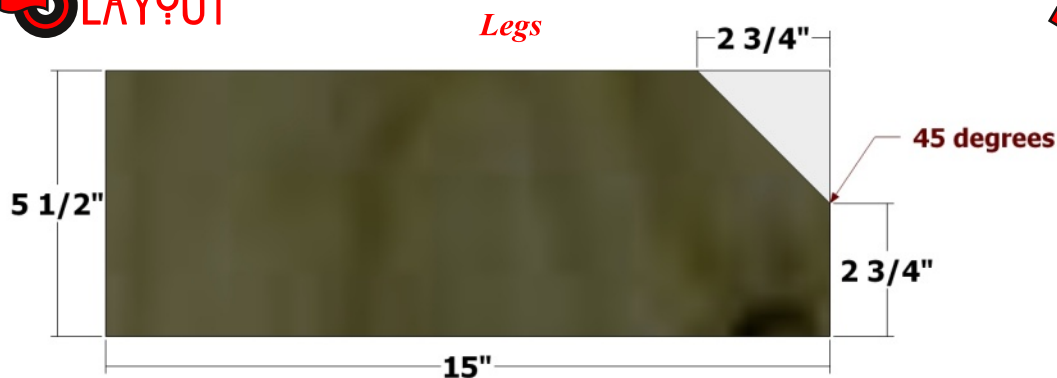
All parts are listed in actual dimensions. Refer to the Cutting Diagram on the last page of this plan as a guide for determining the specific board from which to cut the parts.

MORE PLANS

Want more Chief's Shop plans? Visit chiefs-shop.com and look through the Plans section.

Be sure to "Like" Chief's Shop on facebook by heading over to [facebook.com/ChiefsShop](https://www.facebook.com/ChiefsShop).

LAYOUT



NOTE

Use the layout as a guide for measuring, marking, and cutting, the **Legs**. Make eight.

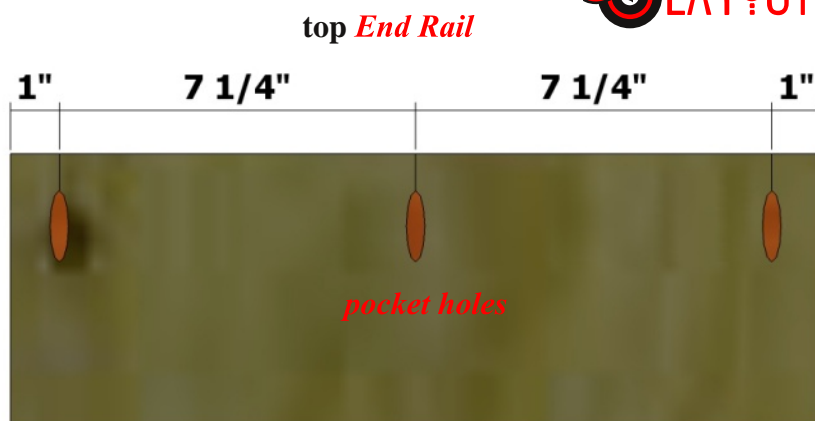


NOTE

Use the layout as a guide for measuring, marking, cutting all four **End Rails**, and for drilling pocket holes in two of the **End Rails**. Set your pocket hole jig and drill bit for 3/4-inch stock (make adjustments as needed if fence pickets are less than 3/4-inch thick). Label these two as the top **End Rails**.



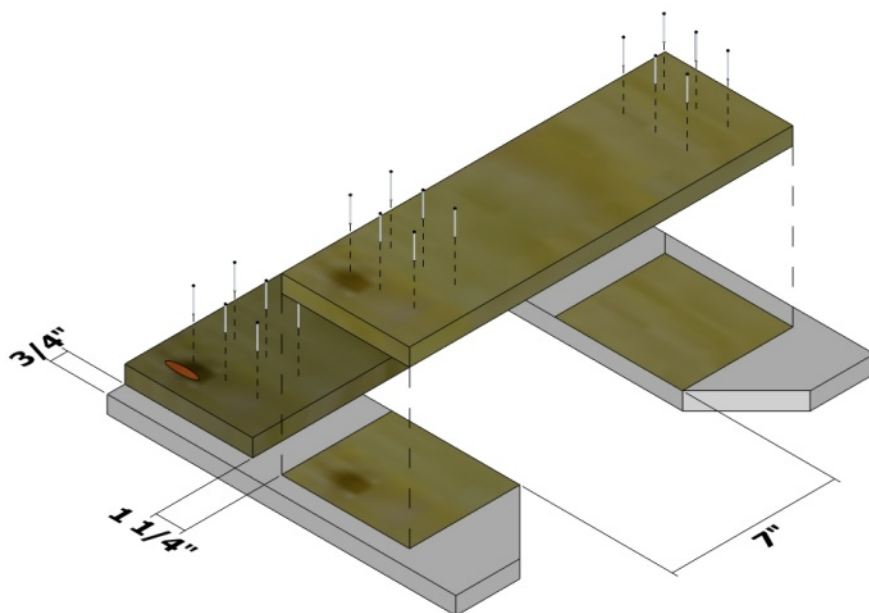
LAYOUT



NOTE

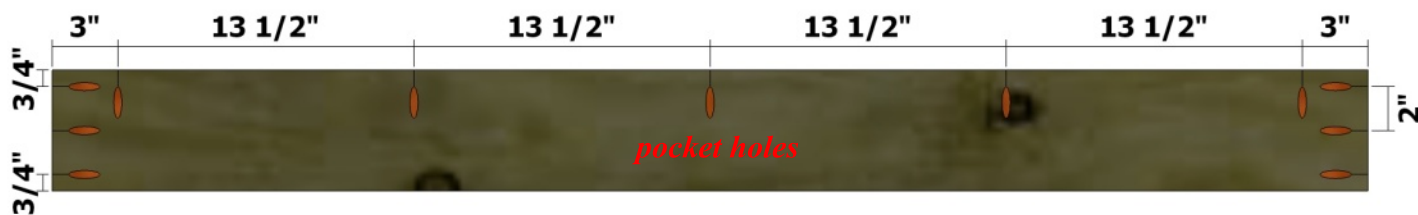
Position the **End Rails** as shown and attach to the **Legs** using glue and 1 1/4-inch or 1-inch galvanized brads (if using fence pickets that are less than 3/4-inch thick).

Note: You will need to make adjustments to account for the thickness of fence pickets (if using them), specifically the distance from the outer edge of the **Legs**.



LAYOUT

top *Side Rail*



NOTE

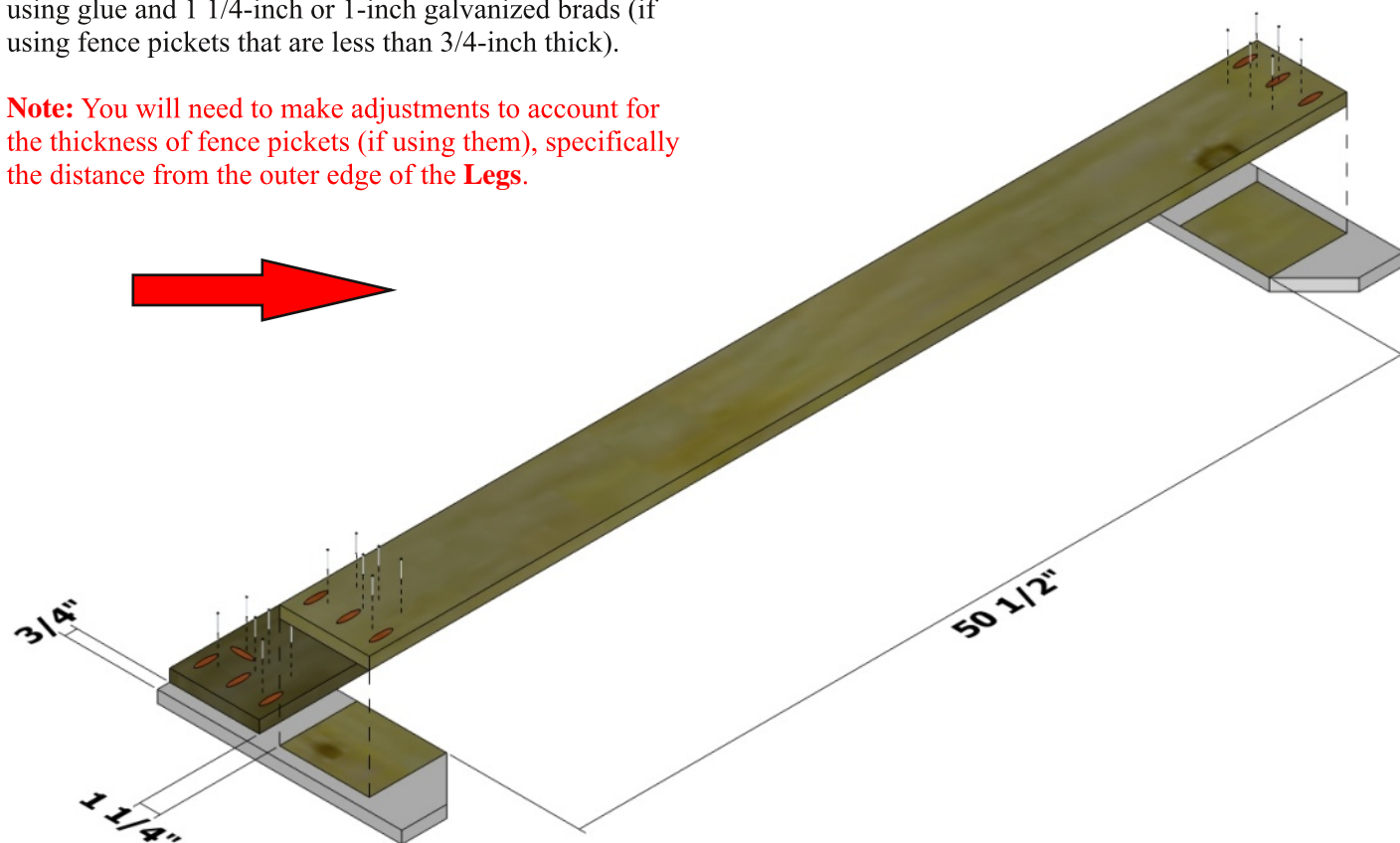
Use the layout as a guide for measuring, marking, cutting all four **Side Rails**, and for drilling pocket holes in two of the **Side Rails**. Drill three pocket holes on each end of the other two **Side Rails**. Set your pocket hole jig and drill bit for 3/4-inch stock (make adjustments as needed if fence pickets are less than 3/4-inch thick). Label the two **Side Rails** with the vertical pocket holes as the top **Side Rails**.



NOTE

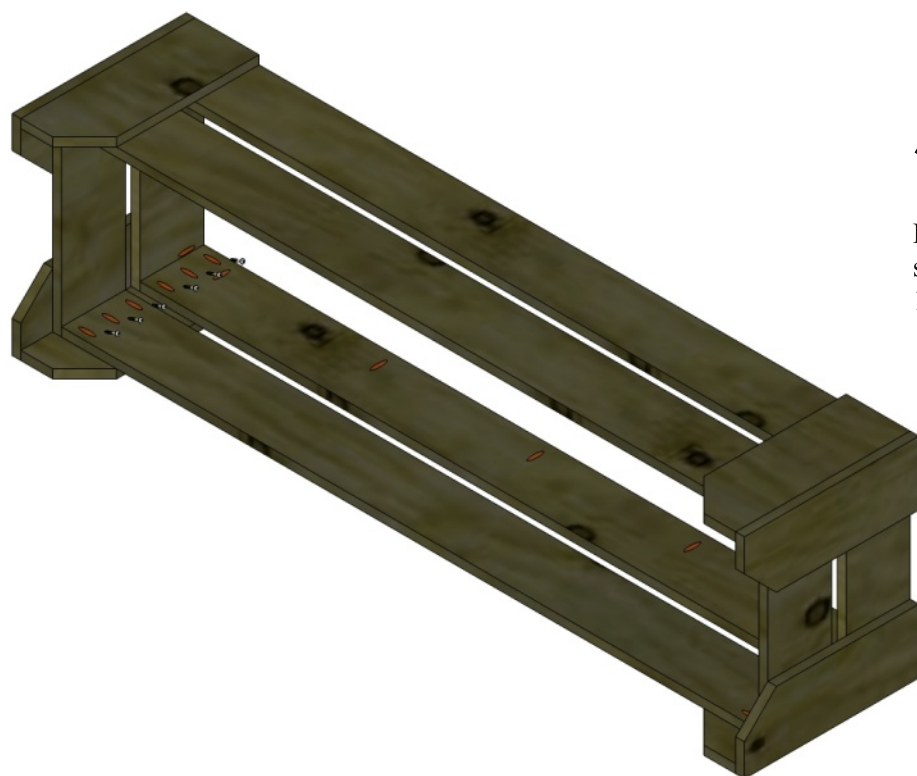
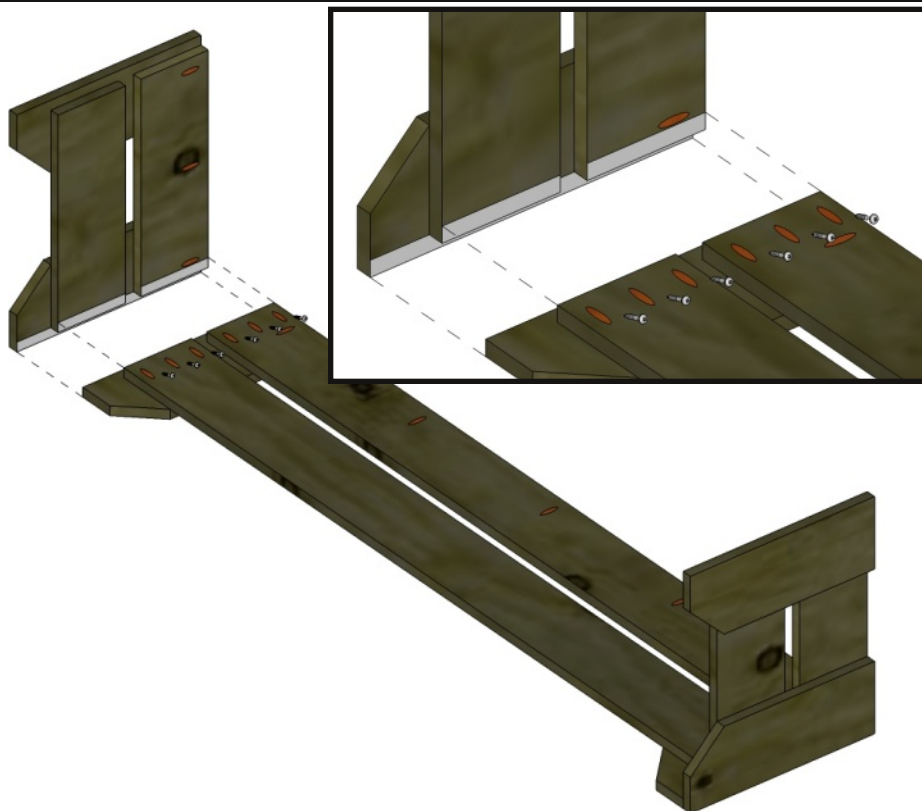
Position the **Side Rails** as shown and attach to the **Legs** using glue and 1 1/4-inch or 1-inch galvanized brads (if using fence pickets that are less than 3/4-inch thick).

Note: You will need to make adjustments to account for the thickness of fence pickets (if using them), specifically the distance from the outer edge of the **Legs**.



 **NOTE**

Position the **End Rail assemblies** flush with the end of one **Side Rail assembly** as shown and attach using glue and 1 1/4-inch pocket hole screws.



 **NOTE**

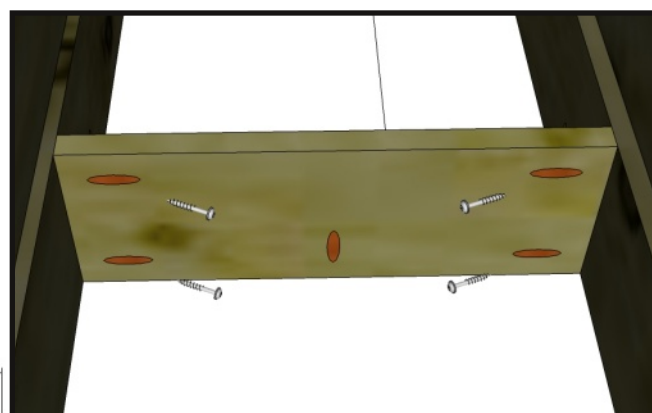
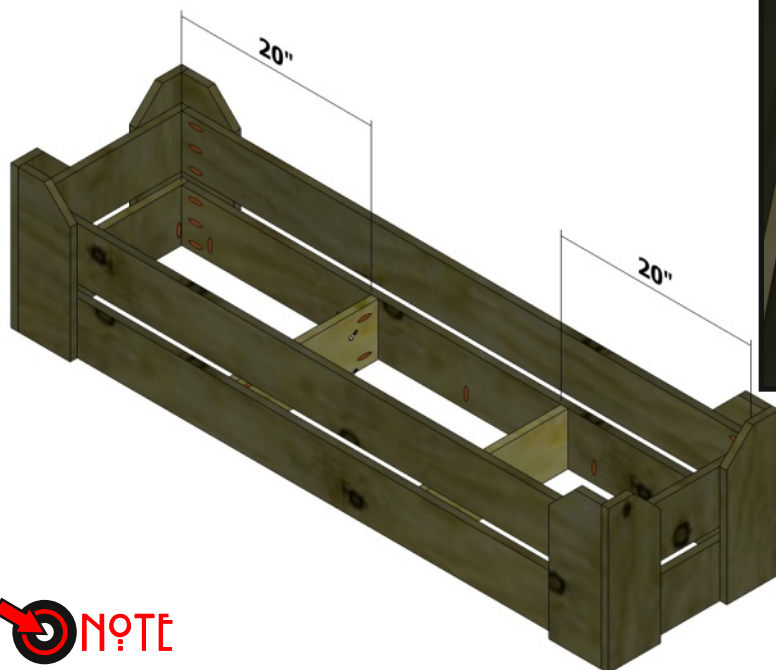
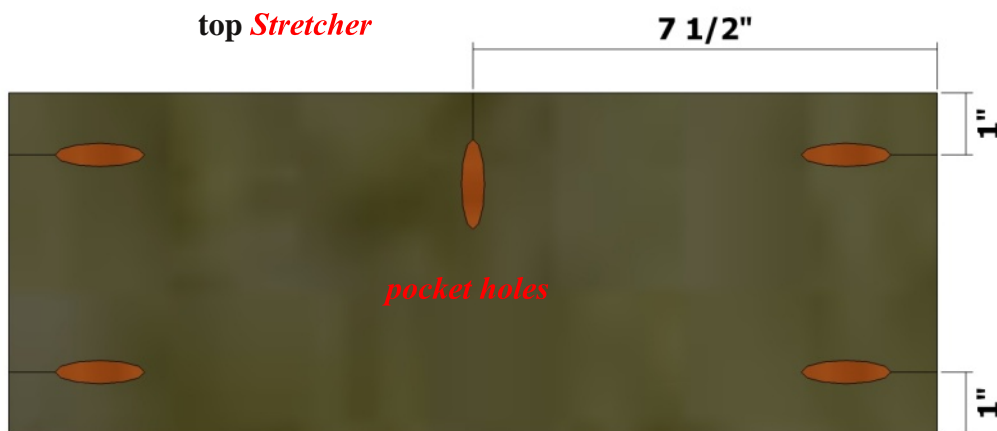
Position the other **Side Rail assembly** as shown and attach using glue and 1 1/4-inch pocket hole screws.



LAYOUT

NOTE

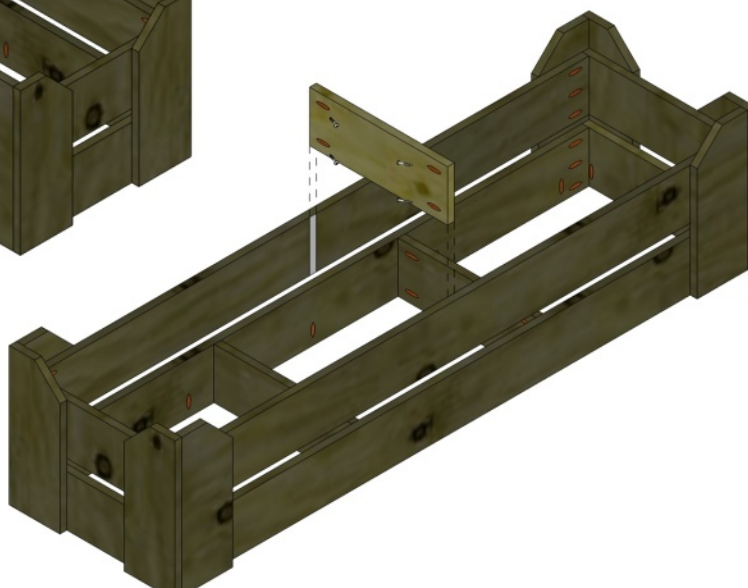
Use the layout as a guide for measuring, marking, cutting all three **Stretchers**, and for drilling pocket holes in two of the **Stretchers**. Drill two pocket holes on each end of the other **Stretchers**. Set your pocket hole jig and drill bit for 3/4-inch stock (make adjustments as needed if fence pickets are less than 3/4-inch thick). Label the two **Stretchers** with the vertical pocket holes as the top **Stretchers**.

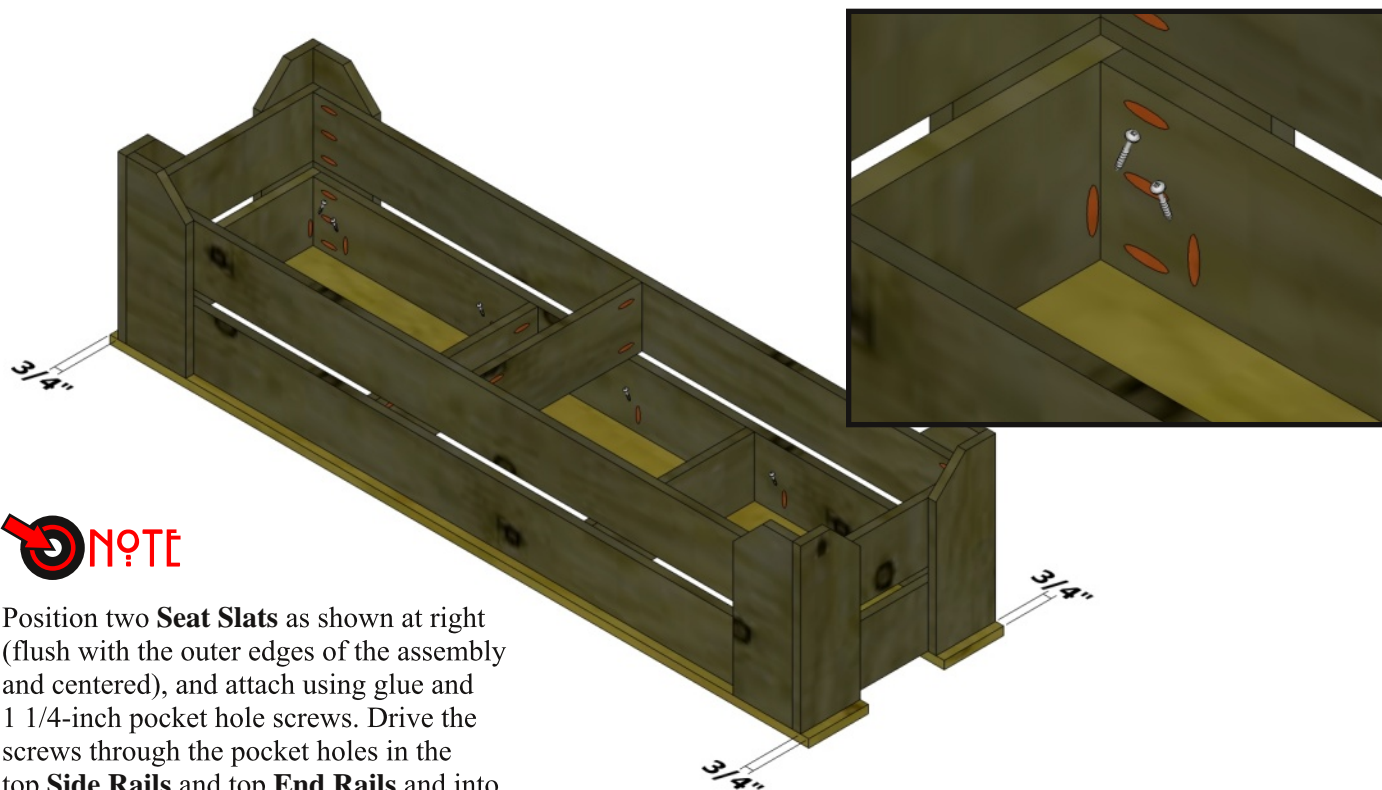


NOTE

Position the two top **Stretchers** as shown above and at top right (flush with the top of the top **Side Rails**) and attach using glue and 1 1/4-inch pocket hole screws.

Position the remaining **Stretcher** centered on the bottom **Side Rails** (as shown at right) and attach using glue and 1 1/4-inch pocket hole screws.





NOTE

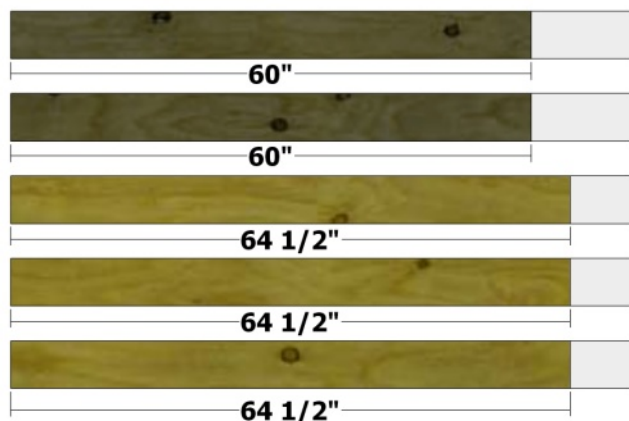
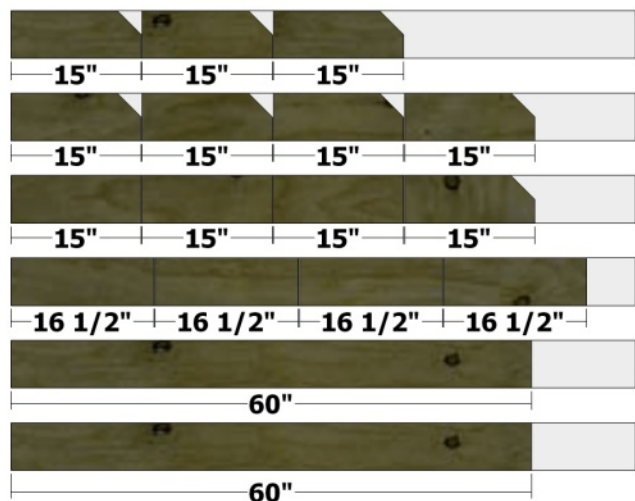
Position two **Seat Slats** as shown at right (flush with the outer edges of the assembly and centered), and attach using glue and 1 1/4-inch pocket hole screws. Drive the screws through the pocket holes in the top **Side Rails** and top **End Rails** and into the **Seat Slats**.

NOTE

Position the remaining **Seat Slat** as shown below (flush with the ends of the other two **Seat Slats** and centered), and attach using glue and 1 1/4-inch pocket hole screws. Drive the screws through the pocket holes in the top **End Rails** and top **Stretchers** and into the **Seat Slat**.



K CUTTING DIAGRAM



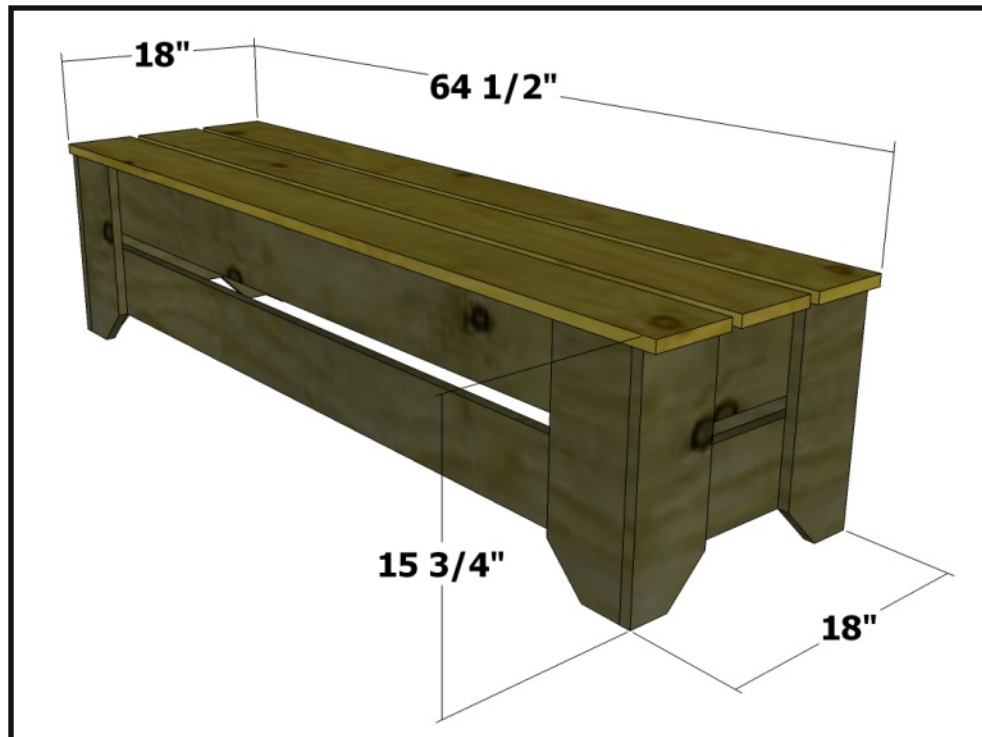
1 x 6 x 6 or reclaimed 1 x 6 x 6 fence pickets

PARTS

Legs (8) - 3/4" x 5 1/2" x 15
End Rails (4) - 3/4" x 5 1/2" x 16 1/2
Side Rails (4) - 3/4" x 5 1/2" x 60
Stretchers (3) - 3/4" x 5 1/2" x 15
Seat Slats (3) - 3/4" x 5 1/2" x 64 1/2

*Dimensions will vary with fence pickets, adjust accordingly.

All parts are listed in actual dimensions. Refer to the Cutting Diagram on the last page of this plan as a guide for determining the specific board from which to cut the parts.



Follow **ALL SAFETY GUIDELINES AND RECOMMENDATIONS** provided by the manufacturers of your tools, and any chemicals such as glue and finishes you use in this project. **YOU** are responsible for your safety, so use common sense when working in the shop!